

**APPENDIX A**  
**EXISTING TRAFFIC COUNT DATA**

City: DANA POINT  
 N-S Direction: CAMINO CAPISTRANO  
 E-W Direction: AVENIDA AEROPUERTO

File Name : H2001010  
 Site Code : 00000000  
 Start Date : 1/15/2020  
 Page No : 1

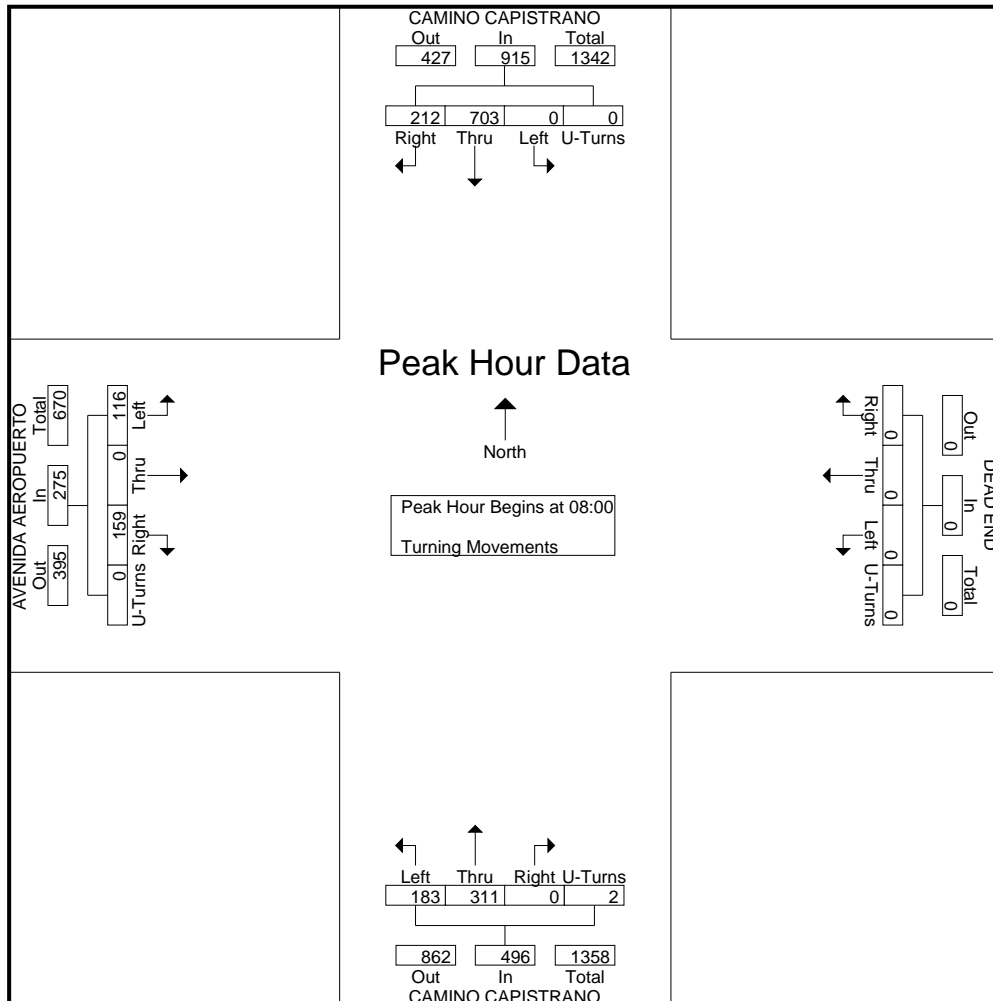
Groups Printed- Turning Movements

Start Time	CAMINO CAPISTRANO Southbound				DEAD END Westbound				CAMINO CAPISTRANO Northbound				AVENIDA AEROPUERTO Eastbound				Int. Total
	Right	Thru	Left	U-Turns	Right	Thru	Left	U-Turns	Right	Thru	Left	U-Turns	Right	Thru	Left	U-Turns	
07:00	48	153	0	0	0	0	0	0	0	46	32	0	26	0	10	0	315
07:15	59	167	0	0	0	0	0	0	0	61	39	0	35	0	23	0	384
07:30	28	219	0	0	0	0	0	0	0	56	25	0	25	0	25	0	378
07:45	54	179	0	0	0	0	0	0	0	96	33	0	36	0	25	0	423
Total	189	718	0	0	0	0	0	0	0	259	129	0	122	0	83	0	1500
08:00	62	188	0	0	0	0	0	0	0	113	47	0	30	0	20	0	460
08:15	44	160	0	0	0	0	0	0	0	79	49	1	44	0	28	0	405
08:30	54	195	0	0	0	0	0	0	0	44	34	1	41	0	21	0	390
08:45	52	160	0	0	0	0	0	0	0	75	53	0	44	0	47	0	431
Total	212	703	0	0	0	0	0	0	0	311	183	2	159	0	116	0	1686
16:00	48	321	0	0	0	0	0	0	0	101	36	0	77	0	58	0	641
16:15	48	313	0	0	0	0	0	0	0	96	34	0	73	0	46	0	610
16:30	41	348	0	0	0	0	0	0	0	80	45	0	67	0	55	0	636
16:45	39	333	0	0	0	0	0	0	0	74	34	0	63	0	34	0	577
Total	176	1315	0	0	0	0	0	0	0	351	149	0	280	0	193	0	2464
17:00	45	368	0	0	0	0	0	0	0	85	27	1	90	0	72	0	688
17:15	36	335	0	0	0	0	0	0	0	69	31	0	65	0	45	0	581
17:30	33	302	0	0	0	0	0	0	0	53	34	0	51	0	31	0	504
17:45	43	285	0	0	0	0	0	0	0	60	56	0	39	0	26	0	509
Total	157	1290	0	0	0	0	0	0	0	267	148	1	245	0	174	0	2282
Grand Total	734	4026	0	0	0	0	0	0	0	1188	609	3	806	0	566	0	7932
Apprch %	15.4	84.6	0	0	0	0	0	0	0	66	33.8	0.2	58.7	0	41.3	0	
Total %	9.3	50.8	0	0	0	0	0	0	0	15	7.7	0	10.2	0	7.1	0	

City: DANA POINT  
 N-S Direction: CAMINO CAPISTRANO  
 E-W Direction: AVENIDA AEROPUERTO

File Name : H2001010  
 Site Code : 00000000  
 Start Date : 1/15/2020  
 Page No : 2

Start Time	CAMINO CAPISTRANO Southbound					DEAD END Westbound					CAMINO CAPISTRANO Northbound					AVENIDA AEROPUERTO Eastbound					Int. Total
	Right	Thru	Left	U-Turns	App. Total	Right	Thru	Left	U-Turns	App. Total	Right	Thru	Left	U-Turns	App. Total	Right	Thru	Left	U-Turns	App. Total	
Peak Hour Analysis From 07:00 to 08:45 - Peak 1 of 1																					
Peak Hour for Entire Intersection Begins at 08:00																					
08:00	62				250	0	0	0	0	0	0	113	47	0	160	30	0	20	0	50	460
08:15	44	160	0	0	204	0	0	0	0	0	0	79	49	1	79	44					
08:30	54	195	0	0	249	0	0	0	0	0	0	44	34	1	79	41	0	21	0	62	390
08:45	52	160	0	0	212	0	0	0	0	0	0	75	53					47		91	431
Total Volume	212	703	0	0	915	0	0	0	0	0	0	311	183	2	496	159	0	116	0	275	1686
% App. Total	23.2	76.8	0	0		0	0	0	0	0	0	62.7	36.9	0.4		57.8	0	42.2	0		
PHF	.855	.901	.000	.000	.915	.000	.000	.000	.000	.000	.000	.688	.863	.500	.775	.903	.000	.617	.000	.755	.916

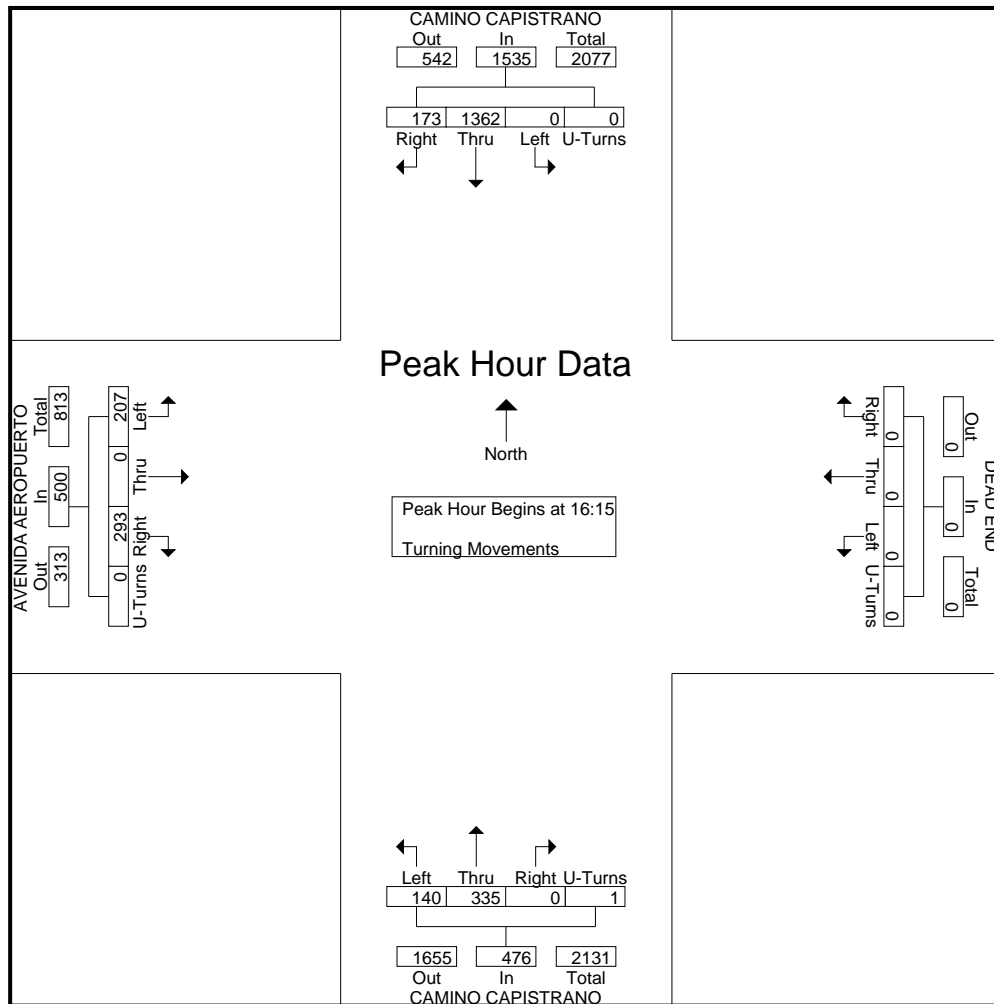


City: DANA POINT  
 N-S Direction: CAMINO CAPISTRANO  
 E-W Direction: AVENIDA AEROPUERTO

File Name : H2001010  
 Site Code : 0000000  
 Start Date : 1/15/2020  
 Page No : 3

Start Time	CAMINO CAPISTRANO Southbound					DEAD END Westbound					CAMINO CAPISTRANO Northbound					AVENIDA AEROPUERTO Eastbound					Int. Total
	Right	Thru	Left	U-Turns	App. Total	Right	Thru	Left	U-Turns	App. Total	Right	Thru	Left	U-Turns	App. Total	Right	Thru	Left	U-Turns	App. Total	
16:15	48										96	34	0	130	73	0	46	0	119	610	
16:30	41	348	0	0	389	0	0	0	0	0	0	80	45	0	63	0	34	0	97	577	
16:45	39	333	0	0	372	0	0	0	0	0	0	74	34	0	90	0	72	0	162	688	
17:00	45	368	0	0	413	0	0	0	0	0	0	85	27	1	90	0	72	0	162	688	
Total Volume	173	1362	0	0	1535	0	0	0	0	0	0	335	140	1	476	293	0	207	0	500	2511
% App. Total	11.3	88.7	0	0		0	0	0	0	0	0	70.4	29.4	0.2		58.6	0	41.4	0		
PHF	.901	.925	.000	.000	.929	.000	.000	.000	.000	.000	.000	.872	.778	.250	.915	.814	.000	.719	.000	.772	.912

Peak Hour Analysis From 16:00 to 17:45 - Peak 1 of 1  
 Peak Hour for Entire Intersection Begins at 16:15



City: DANA POINT  
 N-S Direction: CAMINO CAPISTRANO  
 E-W Direction: AVENIDA AEROPUERTO

File Name : H2001010SAT  
 Site Code : 00000000  
 Start Date : 1/18/2020  
 Page No : 1

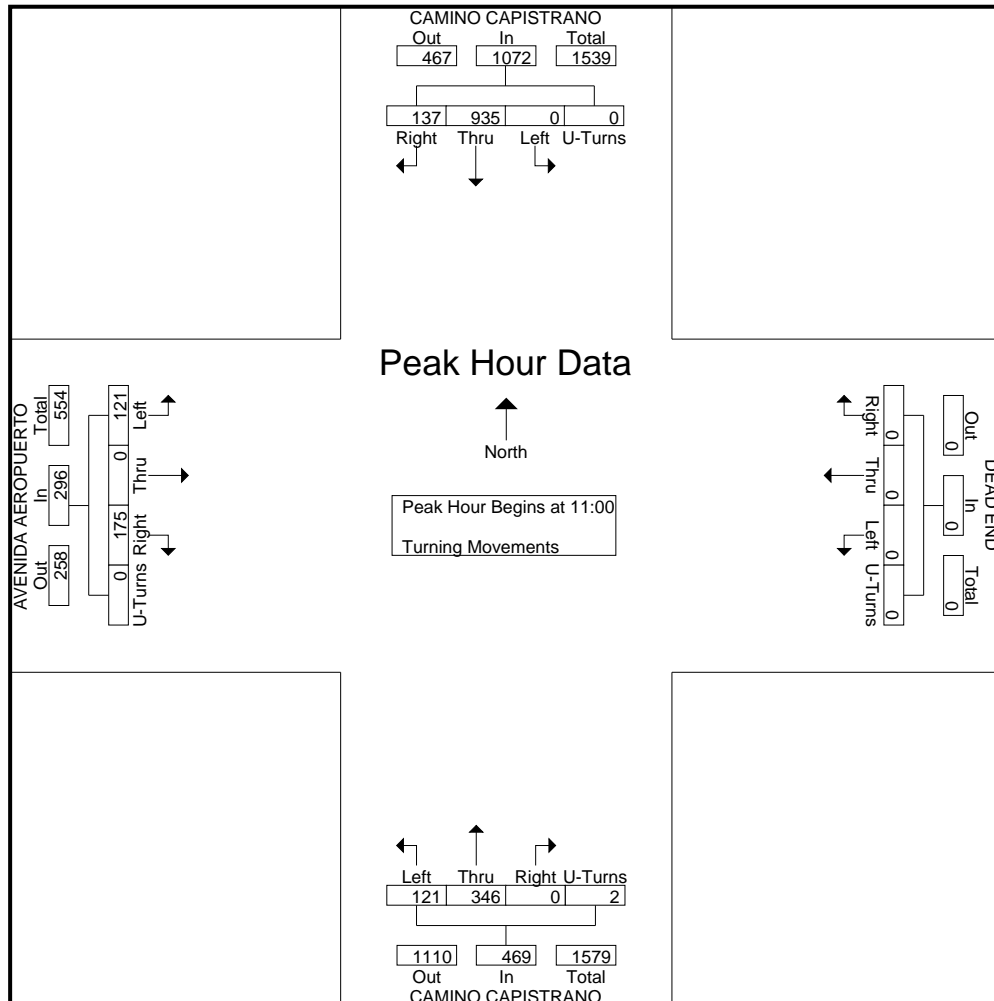
Groups Printed- Turning Movements

Start Time	CAMINO CAPISTRANO Southbound				DEAD END Westbound				CAMINO CAPISTRANO Northbound				AVENIDA AEROPUERTO Eastbound				Int. Total
	Right	Thru	Left	U-Turns	Right	Thru	Left	U-Turns	Right	Thru	Left	U-Turns	Right	Thru	Left	U-Turns	
10:00	36	216	0	0	0	0	0	0	0	61	25	0	26	0	17	0	381
10:15	38	230	0	0	0	0	0	0	0	76	23	0	38	0	23	0	428
10:30	32	230	0	0	0	0	0	0	0	69	23	0	36	0	24	0	414
10:45	31	225	0	0	0	0	0	0	0	79	30	0	33	0	30	0	428
Total	137	901	0	0	0	0	0	0	0	285	101	0	133	0	94	0	1651
11:00	33	238	0	0	0	0	0	0	0	67	39	0	56	0	38	0	471
11:15	35	237	0	0	0	0	0	0	0	85	23	0	43	0	30	0	453
11:30	33	227	0	0	0	0	0	0	0	107	27	1	42	0	35	0	472
11:45	36	233	0	0	0	0	0	0	0	87	32	1	34	0	18	0	441
Total	137	935	0	0	0	0	0	0	0	346	121	2	175	0	121	0	1837
12:00	26	211	0	0	0	0	0	0	0	97	29	0	41	0	42	0	446
12:15	20	275	0	0	0	0	0	0	0	75	10	0	33	0	18	0	431
12:30	26	243	0	0	0	0	0	0	0	77	32	1	28	0	21	0	428
12:45	30	266	0	0	0	0	0	0	0	94	23	0	35	0	19	0	467
Total	102	995	0	0	0	0	0	0	0	343	94	1	137	0	100	0	1772
13:00	26	258	0	0	0	0	0	0	0	75	30	0	27	0	23	0	439
13:15	25	219	0	0	0	0	0	0	0	83	22	0	31	0	23	0	403
13:30	35	276	0	0	0	0	0	0	0	87	22	0	40	0	27	0	487
13:45	28	228	0	0	0	0	0	0	0	71	22	0	27	0	15	0	391
Total	114	981	0	0	0	0	0	0	0	316	96	0	125	0	88	0	1720
Grand Total	490	3812	0	0	0	0	0	0	0	1290	412	3	570	0	403	0	6980
Apprch %	11.4	88.6	0	0	0	0	0	0	0	75.7	24.2	0.2	58.6	0	41.4	0	
Total %	7	54.6	0	0	0	0	0	0	0	18.5	5.9	0	8.2	0	5.8	0	

City: DANA POINT  
 N-S Direction: CAMINO CAPISTRANO  
 E-W Direction: AVENIDA AEROPUERTO

File Name : H2001010SAT  
 Site Code : 00000000  
 Start Date : 1/18/2020  
 Page No : 2

Start Time	CAMINO CAPISTRANO Southbound					DEAD END Westbound					CAMINO CAPISTRANO Northbound					AVENIDA AEROPUERTO Eastbound					Int. Total
	Right	Thru	Left	U-Turns	App. Total	Right	Thru	Left	U-Turns	App. Total	Right	Thru	Left	U-Turns	App. Total	Right	Thru	Left	U-Turns	App. Total	
Peak Hour Analysis From 10:00 to 13:45 - Peak 1 of 1																					
Peak Hour for Entire Intersection Begins at 11:00																					
11:00	33	238	0	0	271	0	0	0	0	0	0	67	39	0	108	56	0	38	0	94	471
11:15	35	237	0	0	272	0	0	0	0	0	0	85	23	0	108	43	0	30	0	73	453
11:30	33	227	0	0	260	0	0	0	0	0	0	107	27	1	135	42	0	35	0	77	472
11:45	36																				
Total Volume	137	935	0	0	1072	0	0	0	0	0	0	346	121	2	469	175	0	121	0	296	1837
% App. Total	12.8	87.2	0	0		0	0	0	0		0	73.8	25.8	0.4		59.1	0	40.9	0		
PHF	.951	.982	.000	.000	.985	.000	.000	.000	.000	.000	.000	.808	.776	.500	.869	.781	.000	.796	.000	.787	.973



City: DANA POINT  
 N-S Direction: CAMINO CAPISTRANO  
 E-W Direction: STONEHILL DRIVE

File Name : H1912008  
 Site Code : 00000000  
 Start Date : 12/5/2019  
 Page No : 1

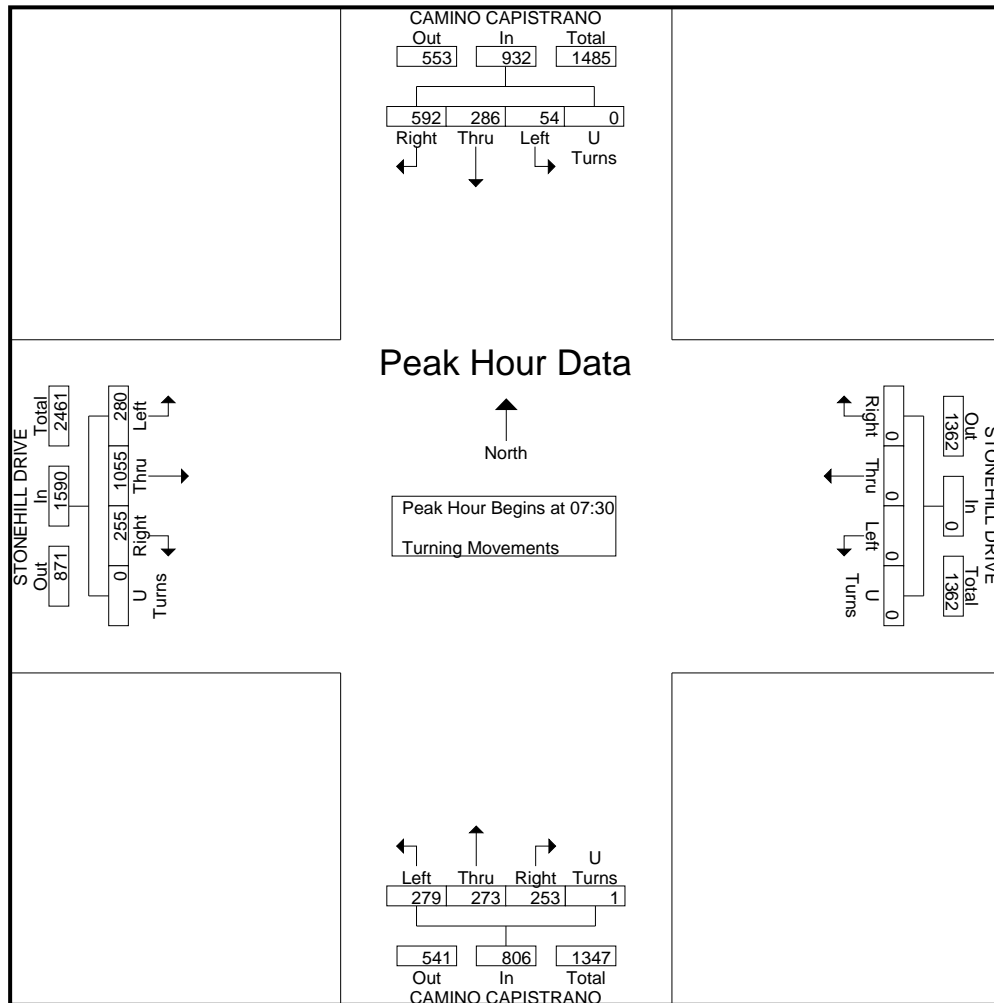
Groups Printed- Turning Movements

Start Time	CAMINO CAPISTRANO Southbound				STONEHILL DRIVE Westbound				CAMINO CAPISTRANO Northbound				STONEHILL DRIVE Eastbound				Int. Total
	Right	Thru	Left	U Turns	Right	Thru	Left	U Turns	Right	Thru	Left	U Turns	Right	Thru	Left	U Turns	
07:00	90	43	9	0	0	0	0	0	50	45	45	0	53	252	42	0	629
07:15	127	52	12	0	0	0	0	0	61	50	73	0	63	259	51	0	748
07:30	161	65	12	0	0	0	0	0	63	51	80	0	54	272	68	0	826
07:45	143	71	13	0	0	0	0	0	70	68	76	0	72	298	84	0	895
Total	521	231	46	0	0	0	0	0	244	214	274	0	242	1081	245	0	3098
08:00	140	75	18	0	0	0	0	0	51	78	61	0	70	284	72	0	849
08:15	148	75	11	0	0	0	0	0	69	76	62	1	59	201	56	0	758
08:30	121	82	11	0	0	0	0	0	58	63	62	0	70	245	52	0	764
08:45	126	73	21	0	0	0	0	0	68	81	61	0	79	211	65	0	785
Total	535	305	61	0	0	0	0	0	246	298	246	1	278	941	245	0	3156
16:00	203	162	35	0	0	0	0	0	83	69	121	0	98	190	53	0	1014
16:15	204	152	34	0	0	0	0	0	71	66	140	0	104	207	42	0	1020
16:30	201	148	41	0	0	0	0	0	98	67	101	0	97	211	45	0	1009
16:45	223	166	26	0	0	0	0	0	85	64	109	0	91	173	46	0	983
Total	831	628	136	0	0	0	0	0	337	266	471	0	390	781	186	0	4026
17:00	219	157	52	0	0	0	0	0	103	62	127	0	89	214	51	0	1074
17:15	220	110	20	0	0	0	0	0	84	70	133	0	91	165	25	0	918
17:30	230	122	39	0	0	0	0	0	95	53	106	0	88	194	34	0	961
17:45	217	119	22	0	0	0	0	0	65	50	107	0	68	151	38	0	837
Total	886	508	133	0	0	0	0	0	347	235	473	0	336	724	148	0	3790
Grand Total	2773	1672	376	0	0	0	0	0	1174	1013	1464	1	1246	3527	824	0	14070
Apprch %	57.5	34.7	7.8	0	0	0	0	0	32.1	27.7	40.1	0	22.3	63	14.7	0	
Total %	19.7	11.9	2.7	0	0	0	0	0	8.3	7.2	10.4	0	8.9	25.1	5.9	0	

City: DANA POINT  
 N-S Direction: CAMINO CAPISTRANO  
 E-W Direction: STONEHILL DRIVE

File Name : H1912008  
 Site Code : 00000000  
 Start Date : 12/5/2019  
 Page No : 2

Start Time	CAMINO CAPISTRANO Southbound					STONEHILL DRIVE Westbound					CAMINO CAPISTRANO Northbound					STONEHILL DRIVE Eastbound					Int. Total
	Right	Thru	Left	U Turns	App. Total	Right	Thru	Left	U Turns	App. Total	Right	Thru	Left	U Turns	App. Total	Right	Thru	Left	U Turns	App. Total	
Peak Hour Analysis From 07:00 to 08:45 - Peak 1 of 1																					
Peak Hour for Entire Intersection Begins at 07:30																					
07:30	161				238	0	0	0	0	0	63	51	80			72	298	84	0	454	895
07:45	143	71	13	0	227	0	0	0	0	0	70	68	76	0	214	70	284	72	0	426	849
08:00	140	75	18									78	61	0	190						
08:15	148	75	11	0	234	0	0	0	0	0	69	76	62	1							
Total Volume	592	286	54	0	932	0	0	0	0	0	253	273	279	1	806	255	1055	280	0	1590	3328
% App. Total	63.5	30.7	5.8	0		0	0	0	0		31.4	33.9	34.6	0.1		16	66.4	17.6	0		
PHF	.919	.953	.750	.000	.979	.000	.000	.000	.000	.000	.904	.875	.872	.250	.942	.885	.885	.833	.000	.876	.930

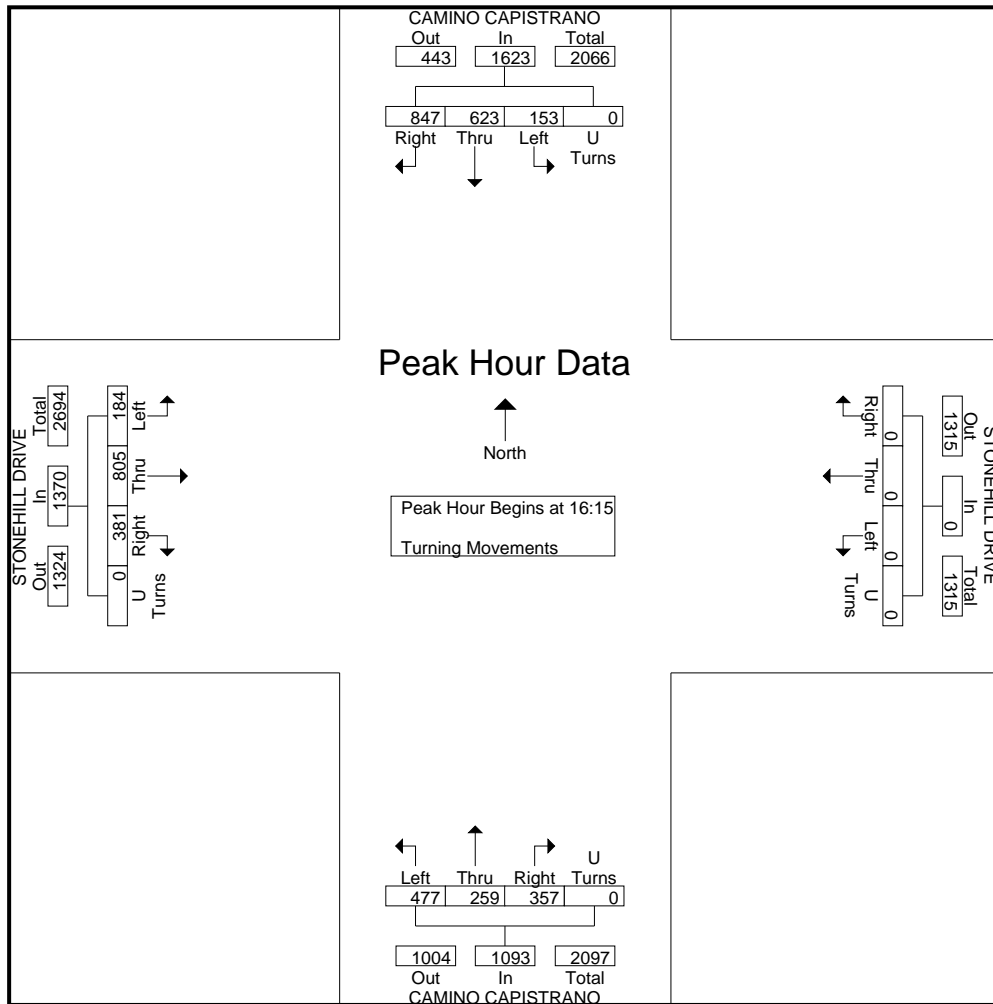




City: DANA POINT  
 N-S Direction: CAMINO CAPISTRANO  
 E-W Direction: STONEHILL DRIVE

File Name : H1912008  
 Site Code : 00000000  
 Start Date : 12/5/2019  
 Page No : 3

Start Time	CAMINO CAPISTRANO Southbound					STONEHILL DRIVE Westbound					CAMINO CAPISTRANO Northbound					STONEHILL DRIVE Eastbound					Int. Total	
	Right	Thru	Left	U Turns	App. Total	Right	Thru	Left	U Turns	App. Total	Right	Thru	Left	U Turns	App. Total	Right	Thru	Left	U Turns	App. Total		
Peak Hour Analysis From 16:00 to 17:45 - Peak 1 of 1																						
Peak Hour for Entire Intersection Begins at 16:15																						
16:15	204	152	34	0	390	0	0	0	0	0	71	66	140	0	266	104	97	211	45	0	353	1009
16:30	201	148	41	0	390	0	0	0	0	0	98	67	101	0	266	97	211	45	0	353	1009	
16:45	223	166	26	0	415	0	0	0	0	0	85	64	109	0	258	91	173	46	0	310	983	
17:00	219	157	52	0	428	0	0	0	0	0	103	96	109	0	292	89	214	51	0	354	1074	
Total Volume	847	623	153	0	1623	0	0	0	0	0	357	259	477	0	1093	381	805	184	0	1370	4086	
% App. Total	52.2	38.4	9.4	0		0	0	0	0	0	32.7	23.7	43.6	0		27.8	58.8	13.4	0			
PHF	.950	.938	.736	.000	.948	.000	.000	.000	.000	.000	.867	.966	.852	.000	.936	.916	.940	.902	.000	.968	.951	



City: DANA POINT  
 N-S Direction: CAMINO CAPISTRANO  
 E-W Direction: STONEHILL DRIVE

File Name : H1912019  
 Site Code : 00000000  
 Start Date : 12/7/2019  
 Page No : 1

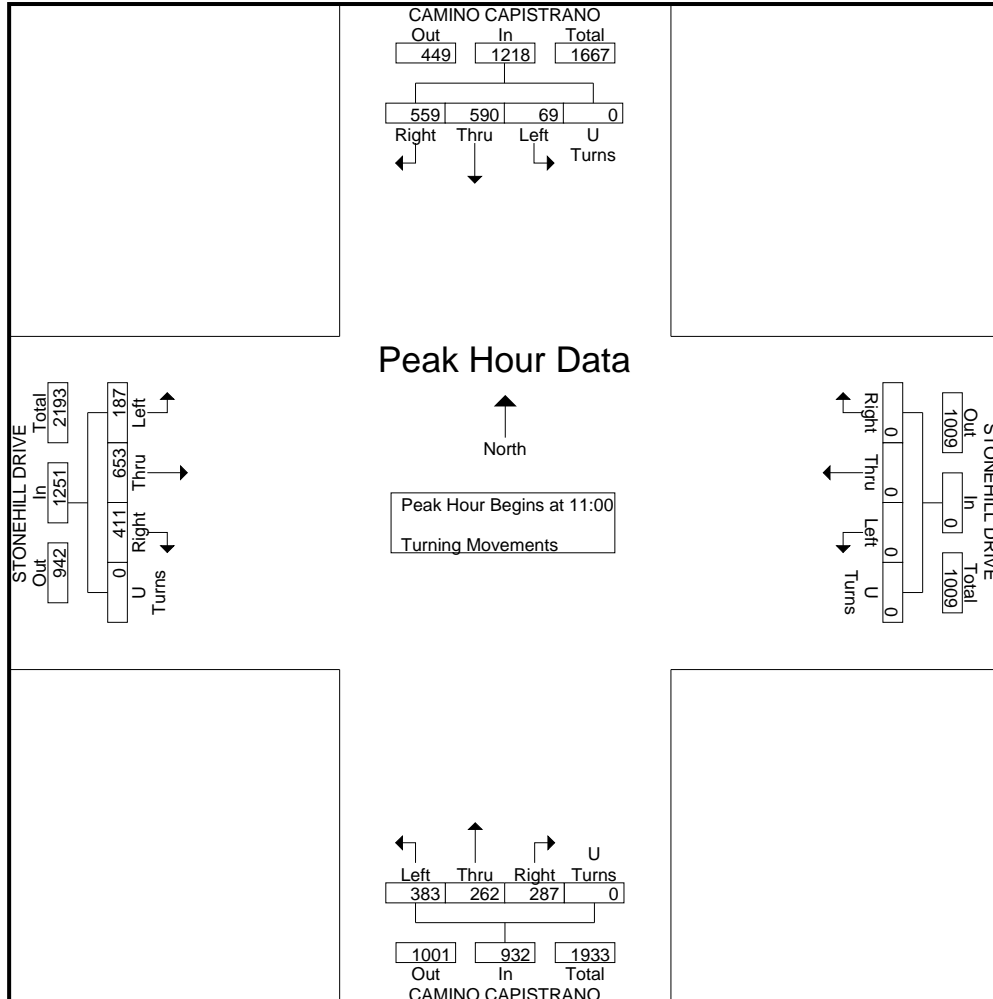
Groups Printed- Turning Movements

Start Time	CAMINO CAPISTRANO Southbound				STONEHILL DRIVE Westbound				CAMINO CAPISTRANO Northbound				STONEHILL DRIVE Eastbound				Int. Total
	Right	Thru	Left	U Turns	Right	Thru	Left	U Turns	Right	Thru	Left	U Turns	Right	Thru	Left	U Turns	
10:00	118	106	23	0	0	0	0	0	93	65	73	0	108	169	46	0	801
10:15	112	107	8	0	0	0	0	0	71	85	91	0	86	147	36	0	743
10:30	143	150	15	0	0	0	0	0	54	62	76	0	96	198	56	0	850
10:45	115	131	16	0	0	0	0	0	69	52	88	0	113	161	58	0	803
Total	488	494	62	0	0	0	0	0	287	264	328	0	403	675	196	0	3197
11:00	128	152	19	0	0	0	0	0	65	57	89	0	96	168	46	0	820
11:15	138	144	15	0	0	0	0	0	70	78	95	0	102	168	56	0	866
11:30	163	147	17	0	0	0	0	0	77	70	96	0	91	141	39	0	841
11:45	130	147	18	0	0	0	0	0	75	57	103	0	122	176	46	0	874
Total	559	590	69	0	0	0	0	0	287	262	383	0	411	653	187	0	3401
12:00	130	114	25	0	0	0	0	0	99	70	82	0	109	132	42	0	803
12:15	126	130	13	0	0	0	0	0	78	70	109	0	103	141	38	0	808
12:30	131	138	15	0	0	0	0	0	82	83	88	0	103	133	35	0	808
12:45	141	141	23	0	0	0	0	0	81	67	125	0	103	163	35	0	879
Total	528	523	76	0	0	0	0	0	340	290	404	0	418	569	150	0	3298
13:00	144	155	22	0	0	0	0	0	103	69	81	0	106	142	26	0	848
13:15	130	121	15	0	0	0	0	0	77	86	132	0	98	121	44	0	824
13:30	158	146	11	0	0	0	0	0	83	62	80	0	91	136	32	0	799
13:45	143	126	12	0	0	0	0	0	66	74	100	0	89	149	38	0	797
Total	575	548	60	0	0	0	0	0	329	291	393	0	384	548	140	0	3268
Grand Total	2150	2155	267	0	0	0	0	0	1243	1107	1508	0	1616	2445	673	0	13164
Apprch %	47	47.1	5.8	0	0	0	0	0	32.2	28.7	39.1	0	34.1	51.6	14.2	0	
Total %	16.3	16.4	2	0	0	0	0	0	9.4	8.4	11.5	0	12.3	18.6	5.1	0	

City: DANA POINT  
 N-S Direction: CAMINO CAPISTRANO  
 E-W Direction: STONEHILL DRIVE

File Name : H1912019  
 Site Code : 00000000  
 Start Date : 12/7/2019  
 Page No : 2

Start Time	CAMINO CAPISTRANO Southbound					STONEHILL DRIVE Westbound					CAMINO CAPISTRANO Northbound					STONEHILL DRIVE Eastbound					Int. Total
	Right	Thru	Left	U Turns	App. Total	Right	Thru	Left	U Turns	App. Total	Right	Thru	Left	U Turns	App. Total	Right	Thru	Left	U Turns	App. Total	
Peak Hour Analysis From 10:00 to 13:45 - Peak 1 of 1																					
Peak Hour for Entire Intersection Begins at 11:00																					
11:00	128	152	19	0	297	0	0	0	0	0	70	78	95	0	243	102	168	56	0	326	866
11:15	138	144	15	0	297	0	0	0	0	0	77	70	96	0	243	91	141	39	0	271	841
11:30	163	147	17	0	295	0	0	0	0	0	75	57	103	0	235	122	176	46	0	344	874
11:45	130	147	18	0	295	0	0	0	0	0	75	57	103	0	235	122	176	46	0	344	874
Total Volume	559	590	69	0	1218	0	0	0	0	0	287	262	383	0	932	411	653	187	0	1251	3401
% App. Total	45.9	48.4	5.7	0		0	0	0	0		30.8	28.1	41.1	0		32.9	52.2	14.9	0		
PHF	.857	.970	.908	.000	.931	.000	.000	.000	.000	.000	.932	.840	.930	.000	.959	.842	.928	.835	.000	.909	.973



City: DANA POINT  
 N-S Direction: CAMINO CAPISTRANO  
 E-W Direction: CAMINO CAPISTRANO

File Name : H2001011  
 Site Code : 00000000  
 Start Date : 1/15/2020  
 Page No : 1

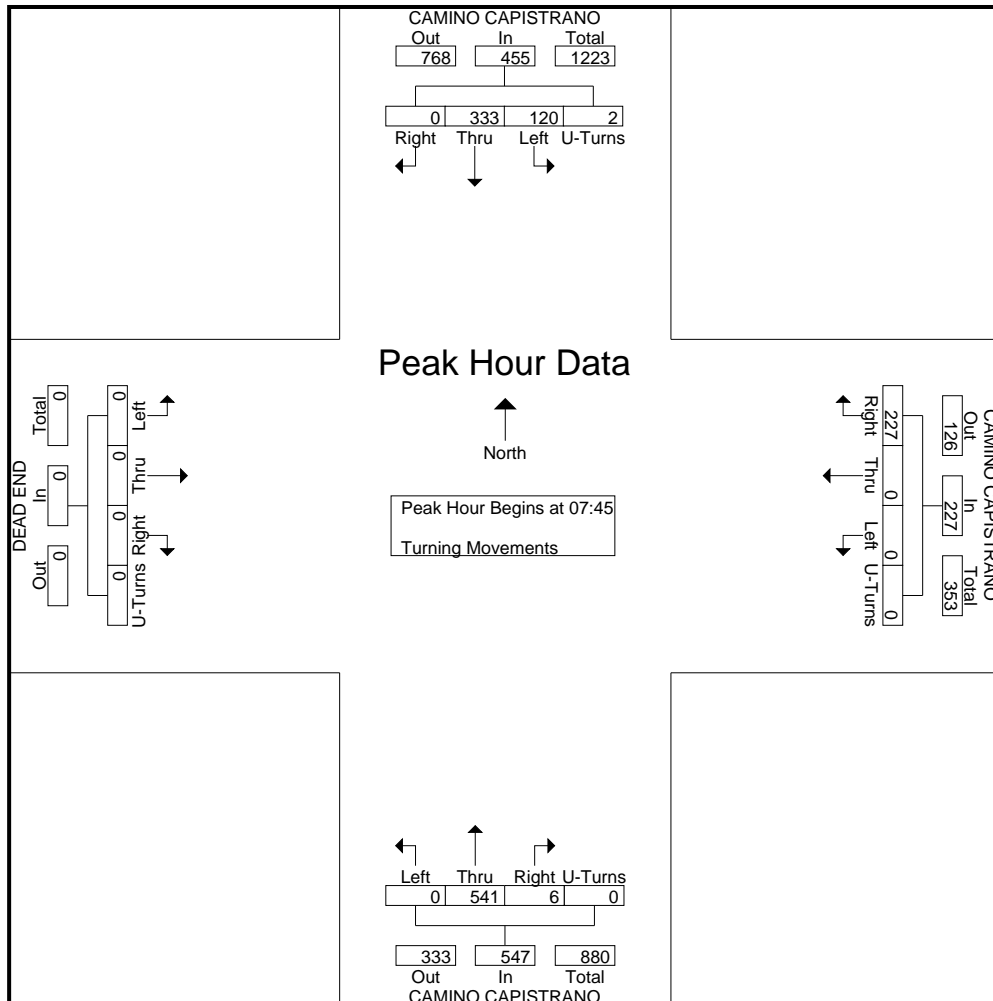
Groups Printed- Turning Movements

Start Time	CAMINO CAPISTRANO Southbound				CAMINO CAPISTRANO Westbound				CAMINO CAPISTRANO Northbound				DEAD END Eastbound				Int. Total	
	Right	Thru	Left	U-Turns	Right	Thru	Left	U-Turns	Right	Thru	Left	U-Turns	Right	Thru	Left	U-Turns		
07:00	0	70	32	0	42	0	0	0	0	106	0	0	0	0	0	0	0	250
07:15	0	72	21	0	62	0	0	0	1	125	0	0	0	0	0	0	0	281
07:30	0	76	30	0	61	0	0	0	1	113	0	0	0	0	0	0	0	281
07:45	0	97	26	1	66	0	0	0	0	140	0	0	0	0	0	0	0	330
Total	0	315	109	1	231	0	0	0	2	484	0	0	0	0	0	0	0	1142
08:00	0	75	34	0	56	0	0	0	1	153	0	0	0	0	0	0	0	319
08:15	0	76	27	1	54	0	0	0	3	117	0	0	0	0	0	0	0	278
08:30	0	85	33	0	51	0	0	0	2	131	0	0	0	0	0	0	0	302
08:45	0	82	30	1	45	0	0	0	3	154	0	0	0	0	0	0	0	315
Total	0	318	124	2	206	0	0	0	9	555	0	0	0	0	0	0	0	1214
16:00	0	153	63	3	43	0	0	0	4	238	0	0	0	0	0	0	0	504
16:15	0	143	43	3	36	0	0	1	2	208	0	0	0	0	0	0	0	436
16:30	0	153	46	1	35	0	0	0	6	230	0	0	0	0	0	0	0	471
16:45	0	149	52	0	41	0	0	0	4	239	0	0	0	0	0	0	0	485
Total	0	598	204	7	155	0	0	1	16	915	0	0	0	0	0	0	0	1896
17:00	0	150	52	2	36	0	0	0	8	234	0	0	0	0	0	0	0	482
17:15	0	143	47	1	41	0	0	0	7	231	0	0	0	0	0	0	0	470
17:30	0	150	34	0	46	0	0	0	10	194	0	0	0	0	0	0	0	434
17:45	0	123	44	1	39	0	0	0	9	188	0	0	0	0	0	0	0	404
Total	0	566	177	4	162	0	0	0	34	847	0	0	0	0	0	0	0	1790
Grand Total	0	1797	614	14	754	0	0	1	61	2801	0	0	0	0	0	0	0	6042
Apprch %	0	74.1	25.3	0.6	99.9	0	0	0.1	2.1	97.9	0	0	0	0	0	0	0	
Total %	0	29.7	10.2	0.2	12.5	0	0	0	1	46.4	0	0	0	0	0	0	0	

City: DANA POINT  
 N-S Direction: CAMINO CAPISTRANO  
 E-W Direction: CAMINO CAPISTRANO

File Name : H2001011  
 Site Code : 0000000  
 Start Date : 1/15/2020  
 Page No : 2

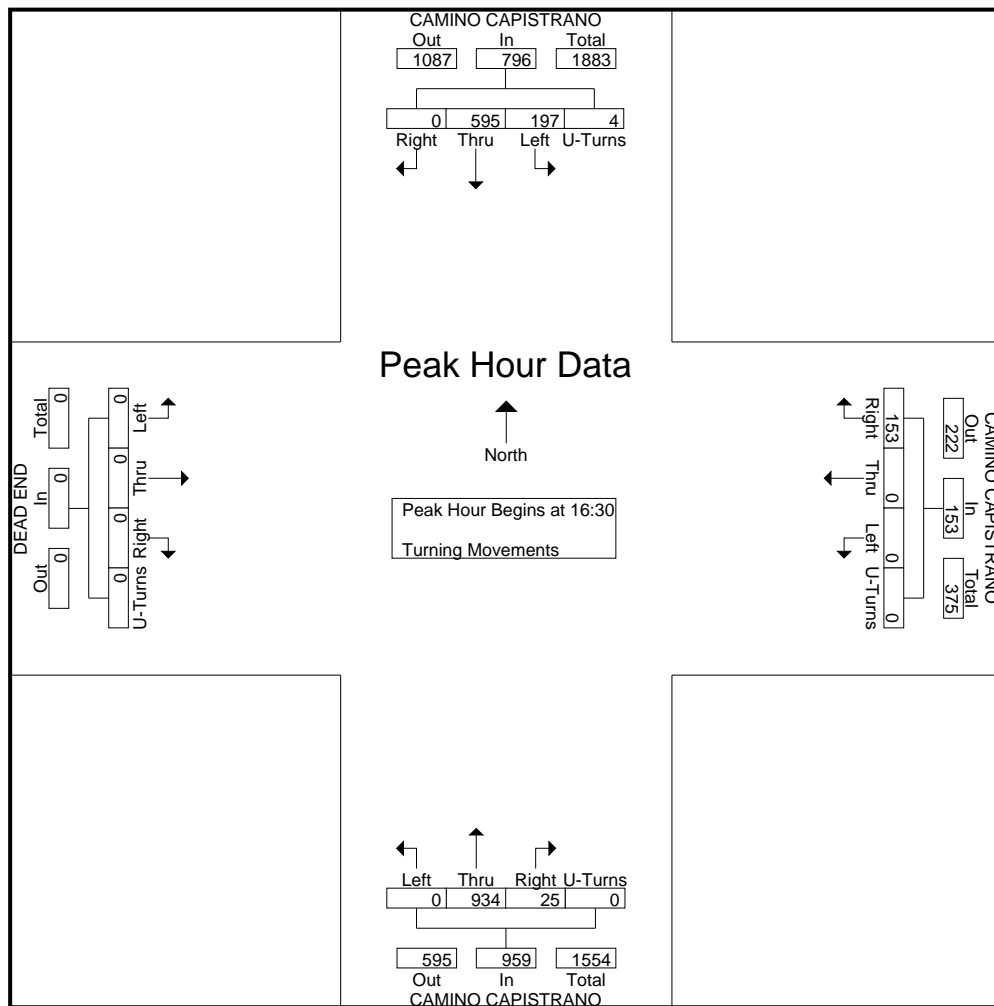
Start Time	CAMINO CAPISTRANO Southbound					CAMINO CAPISTRANO Westbound					CAMINO CAPISTRANO Northbound					DEAD END Eastbound					Int. Total
	Right	Thru	Left	U-Turns	App. Total	Right	Thru	Left	U-Turns	App. Total	Right	Thru	Left	U-Turns	App. Total	Right	Thru	Left	U-Turns	App. Total	
Peak Hour Analysis From 07:00 to 08:45 - Peak 1 of 1																					
Peak Hour for Entire Intersection Begins at 07:45																					
07:45	0	97	26	1	124	66				66	0	140	0	0	140	0	0	0	0	0	330
08:00	0	75	34								3	153	0	0	154	0	0	0	0	0	319
08:15	0	76	27	1	104	54	0	0	0	54	3										
<b>08:30</b>	<b>0</b>	<b>85</b>	<b>33</b>	<b>0</b>	<b>118</b>	<b>51</b>	<b>0</b>	<b>0</b>	<b>0</b>	<b>51</b>	<b>2</b>	<b>131</b>	<b>0</b>	<b>0</b>	<b>133</b>	<b>0</b>	<b>0</b>	<b>0</b>	<b>0</b>	<b>0</b>	<b>302</b>
Total Volume	0	333	120	2	455	227	0	0	0	227	6	541	0	0	547	0	0	0	0	0	1229
% App. Total	0	73.2	26.4	0.4		100	0	0	0		1.1	98.9	0	0		0	0	0	0		
PHF	.000	.858	.882	.500	.917	.860	.000	.000	.000	.860	.500	.884	.000	.000	.888	.000	.000	.000	.000	.000	.931



City: DANA POINT  
 N-S Direction: CAMINO CAPISTRANO  
 E-W Direction: CAMINO CAPISTRANO

File Name : H2001011  
 Site Code : 0000000  
 Start Date : 1/15/2020  
 Page No : 3

Start Time	CAMINO CAPISTRANO Southbound					CAMINO CAPISTRANO Westbound					CAMINO CAPISTRANO Northbound					DEAD END Eastbound					Int. Total
	Right	Thru	Left	U-Turns	App. Total	Right	Thru	Left	U-Turns	App. Total	Right	Thru	Left	U-Turns	App. Total	Right	Thru	Left	U-Turns	App. Total	
Peak Hour Analysis From 16:00 to 17:45 - Peak 1 of 1																					
Peak Hour for Entire Intersection Begins at 16:30																					
16:30	0	153	46	1	200	35	0	0	0	35	6	230	0	0	236	0	0	0	0	0	471
16:45	0	149	52			41				41	4	239	0	0	243	0	0	0	0	0	485
17:00	0	150	52	2	204	36	0	0	0	36	8										
<b>17:15</b>	<b>0</b>	<b>143</b>	<b>47</b>	<b>1</b>	<b>191</b>	<b>41</b>	<b>0</b>	<b>0</b>	<b>0</b>	<b>41</b>	<b>7</b>	<b>231</b>	<b>0</b>	<b>0</b>	<b>238</b>	<b>0</b>	<b>0</b>	<b>0</b>	<b>0</b>	<b>0</b>	<b>470</b>
Total Volume	0	595	197	4	796	153	0	0	0	153	25	934	0	0	959	0	0	0	0	0	1908
% App. Total	0	74.7	24.7	0.5		100	0	0	0		2.6	97.4	0	0		0	0	0	0		
PHF	.000	.972	.947	.500	.975	.933	.000	.000	.000	.933	.781	.977	.000	.000	.987	.000	.000	.000	.000	.000	.984



City: DANA POINT  
 N-S Direction: CAMINO CAPISTRANO  
 E-W Direction: CAMINO CAPISTRANO

File Name : H2001011SAT  
 Site Code : 00000000  
 Start Date : 1/18/2020  
 Page No : 1

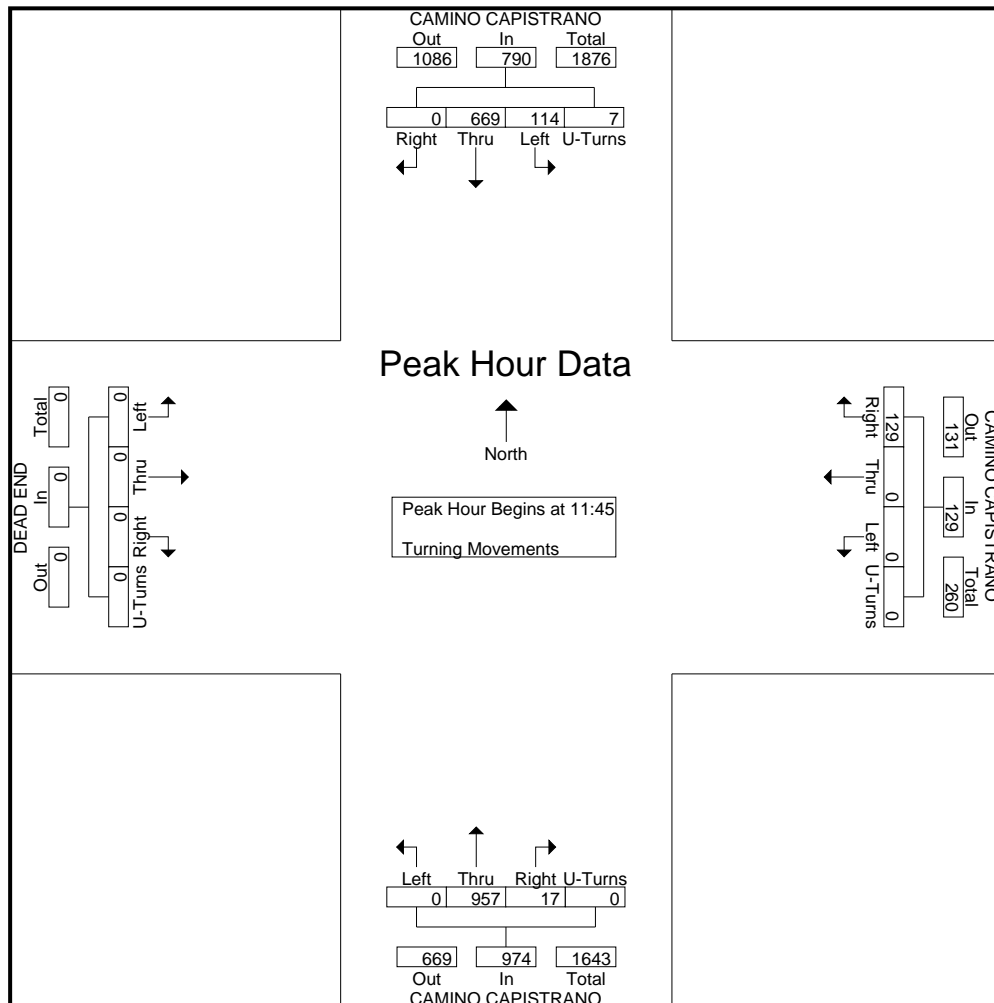
Groups Printed- Turning Movements

Start Time	CAMINO CAPISTRANO Southbound				CAMINO CAPISTRANO Westbound				CAMINO CAPISTRANO Northbound				DEAD END Eastbound				Int. Total	
	Right	Thru	Left	U-Turns	Right	Thru	Left	U-Turns	Right	Thru	Left	U-Turns	Right	Thru	Left	U-Turns		
10:00	0	115	29	0	26	0	0	0	1	163	0	0	0	0	0	0	0	334
10:15	0	151	37	2	40	0	0	0	2	184	0	0	0	0	0	0	0	416
10:30	0	150	25	3	26	0	0	0	1	186	0	0	0	0	0	0	0	391
10:45	0	136	20	1	29	0	0	0	8	204	0	0	0	0	0	0	0	398
Total	0	552	111	6	121	0	0	0	12	737	0	0	0	0	0	0	0	1539
11:00	0	128	32	1	22	0	0	0	5	212	0	0	0	0	0	0	0	400
11:15	0	165	14	0	31	0	0	0	4	230	0	0	0	0	0	0	0	444
11:30	0	147	19	1	31	0	0	0	1	239	0	0	0	0	0	0	0	438
11:45	0	156	21	3	33	0	0	0	2	235	0	0	0	0	0	0	0	450
Total	0	596	86	5	117	0	0	0	12	916	0	0	0	0	0	0	0	1732
12:00	0	180	31	0	25	0	0	0	3	246	0	0	0	0	0	0	0	485
12:15	0	175	34	2	36	0	0	0	8	237	0	0	0	0	0	0	0	492
12:30	0	158	28	2	35	0	0	0	4	239	0	0	0	0	0	0	0	466
12:45	0	161	19	1	28	0	0	0	1	230	0	0	0	0	0	0	0	440
Total	0	674	112	5	124	0	0	0	16	952	0	0	0	0	0	0	0	1883
13:00	0	148	27	0	26	0	0	0	6	231	0	0	0	0	0	0	0	438
13:15	0	178	25	0	27	0	0	0	5	231	0	0	0	0	0	0	0	466
13:30	0	176	33	3	17	0	0	0	4	243	0	0	0	0	0	0	0	476
13:45	0	162	44	2	31	0	0	0	6	226	0	0	0	0	0	0	0	471
Total	0	664	129	5	101	0	0	0	21	931	0	0	0	0	0	0	0	1851
Grand Total	0	2486	438	21	463	0	0	0	61	3536	0	0	0	0	0	0	0	7005
Apprch %	0	84.4	14.9	0.7	100	0	0	0	1.7	98.3	0	0	0	0	0	0	0	
Total %	0	35.5	6.3	0.3	6.6	0	0	0	0.9	50.5	0	0	0	0	0	0	0	

City: DANA POINT  
 N-S Direction: CAMINO CAPISTRANO  
 E-W Direction: CAMINO CAPISTRANO

File Name : H2001011SAT  
 Site Code : 00000000  
 Start Date : 1/18/2020  
 Page No : 2

Start Time	CAMINO CAPISTRANO Southbound					CAMINO CAPISTRANO Westbound					CAMINO CAPISTRANO Northbound					DEAD END Eastbound					Int. Total
	Right	Thru	Left	U-Turns	App. Total	Right	Thru	Left	U-Turns	App. Total	Right	Thru	Left	U-Turns	App. Total	Right	Thru	Left	U-Turns	App. Total	
Peak Hour Analysis From 10:00 to 13:45 - Peak 1 of 1																					
Peak Hour for Entire Intersection Begins at 11:45																					
11:45	0	156	21	3		25	0	0	0	25	3	246	0	0	249	0	0	0	0	0	485
12:00	0	180	31	0	211	36	0	0	0	36	8	246	0	0	249	0	0	0	0	0	492
12:15	0	175	34			36				36	8										
12:30	0	158	28	2	188	35	0	0	0	35	4	239	0	0	243	0	0	0	0	0	466
Total Volume	0	669	114	7	790	129	0	0	0	129	17	957	0	0	974	0	0	0	0	0	1893
% App. Total	0	84.7	14.4	0.9		100	0	0	0		1.7	98.3	0	0		0	0	0	0		
PHF	.000	.929	.838	.583	.936	.896	.000	.000	.000	.896	.531	.973	.000	.000	.978	.000	.000	.000	.000	.000	.962





City: DANA POINT  
 N-S Direction: CAMINO CAPISTRANO  
 E-W Direction: COSTCO DRIVEWAY

File Name : H2001012  
 Site Code : 00000000  
 Start Date : 1/15/2020  
 Page No : 1

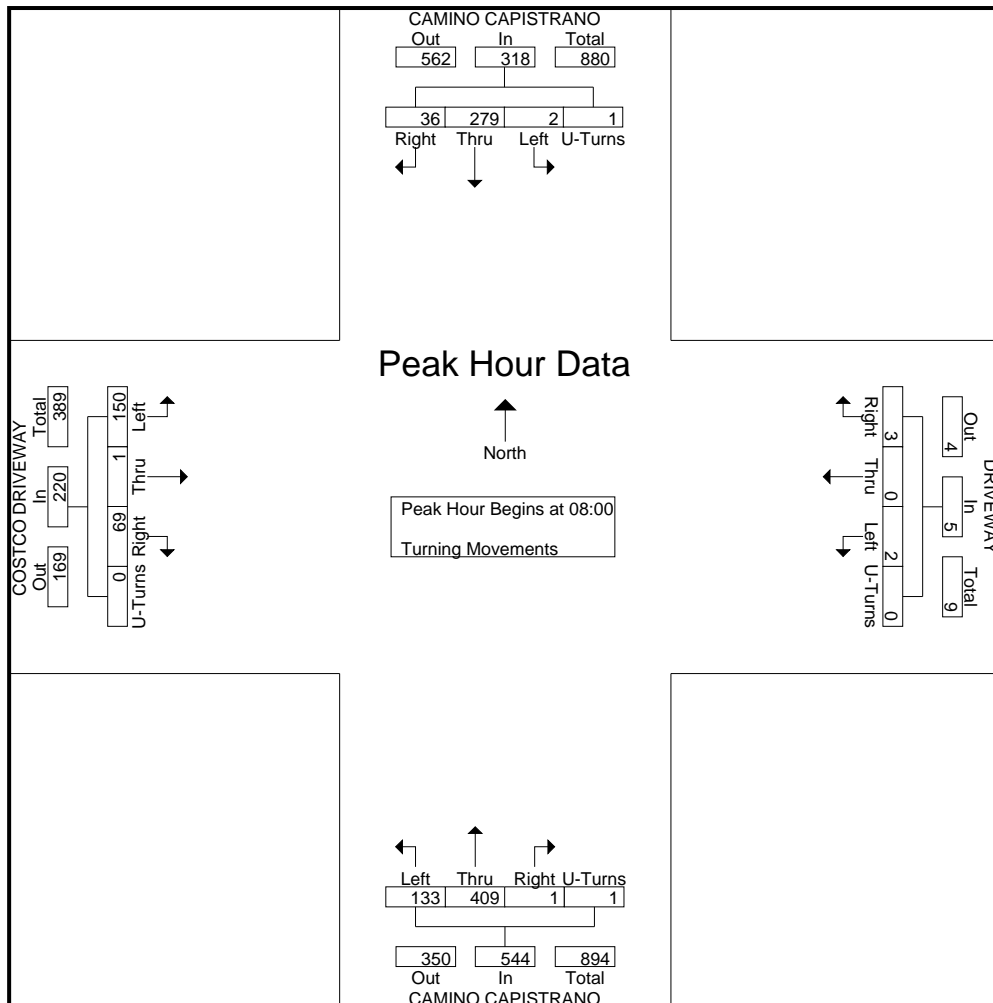
Groups Printed- Turning Movements

Start Time	CAMINO CAPISTRANO Southbound				DRIVEWAY Westbound				CAMINO CAPISTRANO Northbound				COSTCO DRIVEWAY Eastbound				Int. Total
	Right	Thru	Left	U-Turns	Right	Thru	Left	U-Turns	Right	Thru	Left	U-Turns	Right	Thru	Left	U-Turns	
07:00	5	68	0	0	0	0	0	0	0	80	18	1	9	0	24	0	205
07:15	3	67	0	1	0	0	1	0	1	99	19	0	11	0	30	0	232
07:30	5	64	1	1	1	0	0	0	1	88	16	0	19	0	26	0	222
07:45	11	87	0	3	0	0	0	0	1	107	24	0	12	0	31	0	276
Total	24	286	1	5	1	0	1	0	3	374	77	1	51	0	111	0	935
08:00	9	64	1	0	0	0	1	0	0	111	27	0	13	0	42	0	268
08:15	10	60	0	0	2	0	0	0	0	87	32	1	14	0	33	0	239
08:30	9	85	1	1	0	0	1	0	1	98	37	0	22	0	32	0	287
08:45	8	70	0	0	1	0	0	0	0	113	37	0	20	1	43	0	293
Total	36	279	2	1	3	0	2	0	1	409	133	1	69	1	150	0	1087
16:00	31	118	0	2	2	0	2	0	2	139	85	1	61	0	94	0	537
16:15	35	102	1	2	1	0	1	0	0	133	77	2	59	0	101	0	514
16:30	22	129	0	3	2	0	1	0	2	136	71	0	66	1	94	0	527
16:45	28	122	0	4	0	0	2	0	1	123	71	0	65	0	107	0	523
Total	116	471	1	11	5	0	6	0	5	531	304	3	251	1	396	0	2101
17:00	41	101	0	5	0	0	0	0	0	143	89	1	47	0	97	0	524
17:15	36	114	0	1	3	0	0	0	0	150	76	0	79	0	91	0	550
17:30	35	114	0	4	0	0	1	0	0	112	40	1	54	0	96	0	457
17:45	26	87	0	3	1	0	0	0	1	111	57	0	64	0	87	0	437
Total	138	416	0	13	4	0	1	0	1	516	262	2	244	0	371	0	1968
Grand Total	314	1452	4	30	13	0	10	0	10	1830	776	7	615	2	1028	0	6091
Apprch %	17.4	80.7	0.2	1.7	56.5	0	43.5	0	0.4	69.8	29.6	0.3	37.4	0.1	62.5	0	
Total %	5.2	23.8	0.1	0.5	0.2	0	0.2	0	0.2	30	12.7	0.1	10.1	0	16.9	0	

City: DANA POINT  
 N-S Direction: CAMINO CAPISTRANO  
 E-W Direction: COSTCO DRIVEWAY

File Name : H2001012  
 Site Code : 0000000  
 Start Date : 1/15/2020  
 Page No : 2

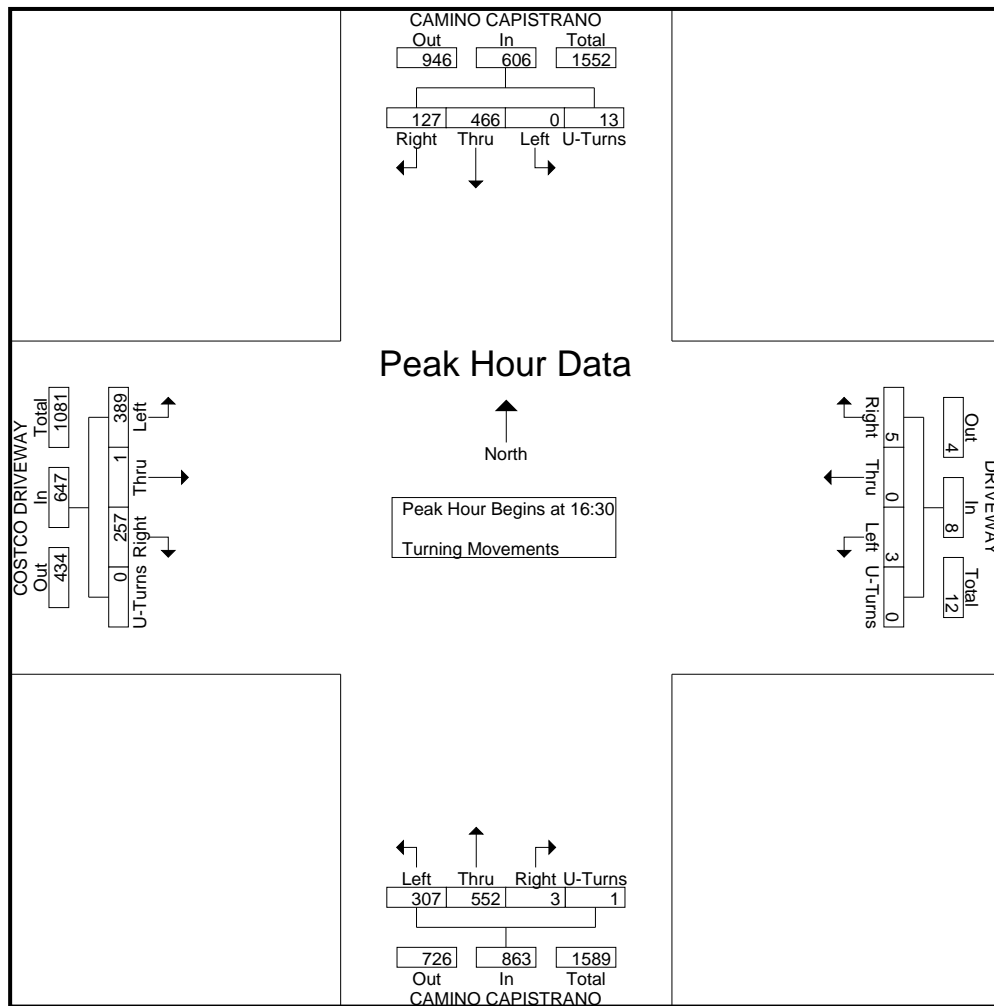
Start Time	CAMINO CAPISTRANO Southbound					DRIVEWAY Westbound					CAMINO CAPISTRANO Northbound					COSTCO DRIVEWAY Eastbound					Int. Total
	Right	Thru	Left	U-Turns	App. Total	Right	Thru	Left	U-Turns	App. Total	Right	Thru	Left	U-Turns	App. Total	Right	Thru	Left	U-Turns	App. Total	
Peak Hour Analysis From 07:00 to 08:45 - Peak 1 of 1																					
Peak Hour for Entire Intersection Begins at 08:00																					
08:00	9	64	1		70	2	0	1	0	2	0	87	32	1	120	14	0	33	0	47	239
08:15	10	60	0	0	70	0	0	1	0	1	1	98	37	0	136	22	0	32	0	54	287
08:30	9	85	1	1	96	0	0	1	0	1	1	98	37	0	136	22	0	32	0	54	287
08:45	8	70	0	0	78	1	0	0	0	1	0	113	37	0	150	20	1	43	0	64	293
Total Volume	36	279	2	1	318	3	0	2	0	5	1	409	133	1	544	69	1	150	0	220	1087
% App. Total	11.3	87.7	0.6	0.3		60	0	40	0		0.2	75.2	24.4	0.2		31.4	0.5	68.2	0		
PHF	.900	.821	.500	.250	.828	.375	.000	.500	.000	.625	.250	.905	.899	.250	.907	.784	.250	.872	.000	.859	.927



City: DANA POINT  
 N-S Direction: CAMINO CAPISTRANO  
 E-W Direction: COSTCO DRIVEWAY

File Name : H2001012  
 Site Code : 0000000  
 Start Date : 1/15/2020  
 Page No : 3

Start Time	CAMINO CAPISTRANO Southbound					DRIVEWAY Westbound					CAMINO CAPISTRANO Northbound					COSTCO DRIVEWAY Eastbound					Int. Total
	Right	Thru	Left	U-Turns	App. Total	Right	Thru	Left	U-Turns	App. Total	Right	Thru	Left	U-Turns	App. Total	Right	Thru	Left	U-Turns	App. Total	
Peak Hour Analysis From 16:00 to 17:45 - Peak 1 of 1																					
Peak Hour for Entire Intersection Begins at 16:30																					
16:30	22	129	0	3	154	2	0	1	0	3	2					1	94	0	161	527	
16:45	28	122	0	4	154	0	0	2									107	0	172	523	
17:00	41			5									89	1	233	47	0	97	0	144	524
17:15	36	114	0	1	151	3						150	76	0	226	79					550
Total Volume	127	466	0	13	606	5	0	3	0	8	3	552	307	1	863	257	1	389	0	647	2124
% App. Total	21	76.9	0	2.1		62.5	0	37.5	0		0.3	64	35.6	0.1		39.7	0.2	60.1	0		
PHF	.774	.903	.000	.650	.984	.417	.000	.375	.000	.667	.375	.920	.862	.250	.926	.813	.250	.909	.000	.940	.965



City: DANA POINT  
 N-S Direction: CAMINO CAPISTRANO  
 E-W Direction: COSTCO DRIVEWAY

File Name : H2001012SAT  
 Site Code : 00000000  
 Start Date : 1/18/2020  
 Page No : 1

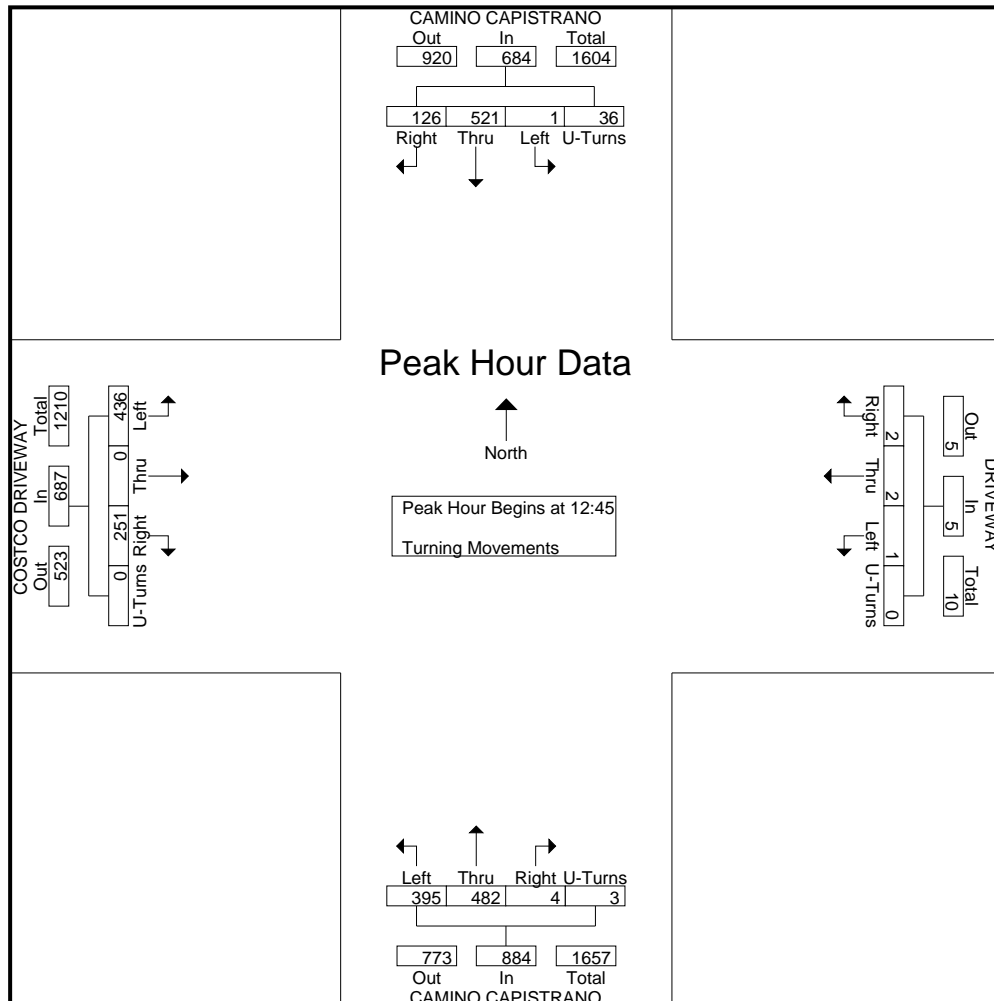
Groups Printed- Turning Movements

Start Time	CAMINO CAPISTRANO Southbound				DRIVEWAY Westbound				CAMINO CAPISTRANO Northbound				COSTCO DRIVEWAY Eastbound				Int. Total
	Right	Thru	Left	U-Turns	Right	Thru	Left	U-Turns	Right	Thru	Left	U-Turns	Right	Thru	Left	U-Turns	
10:00	23	93	0	0	0	0	0	0	0	97	75	1	50	0	65	0	404
10:15	29	118	0	5	0	0	0	0	1	100	81	0	44	0	81	0	459
10:30	26	112	1	4	0	0	1	0	3	102	94	0	54	0	82	0	479
10:45	27	109	0	10	3	0	0	0	4	129	96	0	52	0	69	0	499
Total	105	432	1	19	3	0	1	0	8	428	346	1	200	0	297	0	1841
11:00	24	97	0	4	1	0	1	0	2	126	102	0	51	0	85	0	493
11:15	19	130	0	11	0	0	1	0	0	120	112	1	46	0	94	0	534
11:30	31	108	1	10	1	0	0	0	1	133	117	0	52	0	101	0	555
11:45	36	121	0	7	1	0	0	0	1	128	111	3	47	0	100	0	555
Total	110	456	1	32	3	0	2	0	4	507	442	4	196	0	380	0	2137
12:00	36	126	0	7	0	0	0	0	0	126	91	2	63	0	121	0	572
12:15	43	134	0	7	0	0	0	0	0	129	94	1	52	0	105	0	565
12:30	28	112	0	8	0	0	0	0	0	128	92	1	65	0	110	0	544
12:45	30	128	1	7	1	0	1	0	1	111	92	0	77	0	107	0	556
Total	137	500	1	29	1	0	1	0	1	494	369	4	257	0	443	0	2237
13:00	33	118	0	8	1	2	0	0	2	131	106	0	52	0	122	0	575
13:15	37	121	0	10	0	0	0	0	0	114	94	1	62	0	98	0	537
13:30	26	154	0	11	0	0	0	0	1	126	103	2	60	0	109	0	592
13:45	31	120	0	4	0	0	0	0	0	111	86	0	51	0	110	0	513
Total	127	513	0	33	1	2	0	0	3	482	389	3	225	0	439	0	2217
Grand Total	479	1901	3	113	8	2	4	0	16	1911	1546	12	878	0	1559	0	8432
Apprch %	19.2	76.2	0.1	4.5	57.1	14.3	28.6	0	0.5	54.8	44.4	0.3	36	0	64	0	
Total %	5.7	22.5	0	1.3	0.1	0	0	0	0.2	22.7	18.3	0.1	10.4	0	18.5	0	

City: DANA POINT  
 N-S Direction: CAMINO CAPISTRANO  
 E-W Direction: COSTCO DRIVEWAY

File Name : H2001012SAT  
 Site Code : 00000000  
 Start Date : 1/18/2020  
 Page No : 2

Start Time	CAMINO CAPISTRANO Southbound					DRIVEWAY Westbound					CAMINO CAPISTRANO Northbound					COSTCO DRIVEWAY Eastbound					Int. Total
	Right	Thru	Left	U-Turns	App. Total	Right	Thru	Left	U-Turns	App. Total	Right	Thru	Left	U-Turns	App. Total	Right	Thru	Left	U-Turns	App. Total	
Peak Hour Analysis From 10:00 to 13:45 - Peak 1 of 1																					
Peak Hour for Entire Intersection Begins at 12:45																					
12:45	30	128	1			1		1			2	131	106		239	77	0	122		184	556
13:00	33	118	0	8	159	1	2	0	0	3	0	114	94	1	209	62	0	98	0	160	537
13:15	37	121	0	10	168	0	0	0	0	0	1	126	103	2	232	60	0	109	0	169	592
13:30	26	154	0	11	191	0	0	0	0	0	4	482	395	3	884	251	0	436	0	687	2260
Total Volume	126	521	1	36	684	2	2	1	0	5	4	482	395	3	884	251	0	436	0	687	2260
% App. Total	18.4	76.2	0.1	5.3		40	40	20	0		0.5	54.5	44.7	0.3		36.5	0	63.5	0		
PHF	.851	.846	.250	.818	.895	.500	.250	.250	.000	.417	.500	.920	.932	.375	.925	.815	.000	.893	.000	.933	.954



City: DANA POINT  
 N-S Direction: DOHENY PARK ROAD  
 E-W Direction: VICTORIA BOULEVARD

File Name : H1912009  
 Site Code : 00000000  
 Start Date : 12/5/2019  
 Page No : 1

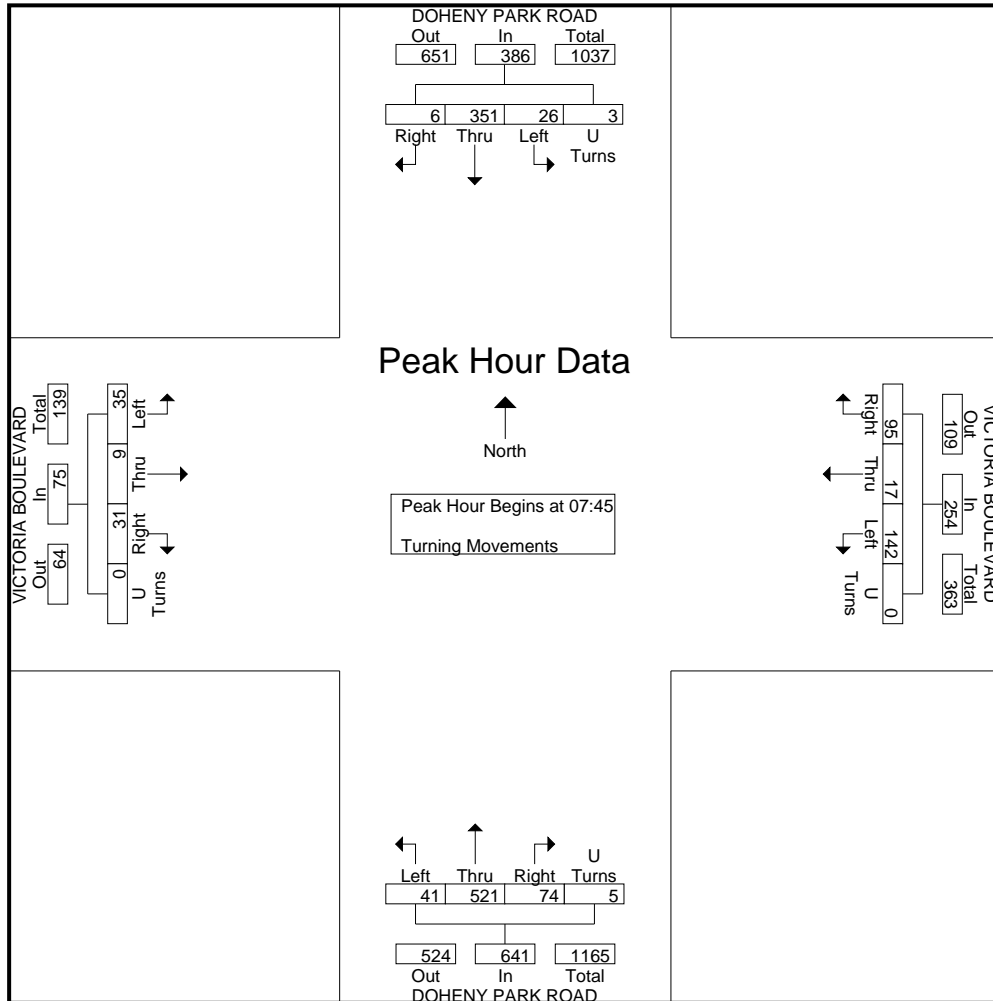
Groups Printed- Turning Movements

Start Time	DOHENY PARK ROAD Southbound				VICTORIA BOULEVARD Westbound				DOHENY PARK ROAD Northbound				VICTORIA BOULEVARD Eastbound				Int. Total
	Right	Thru	Left	U Turns	Right	Thru	Left	U Turns	Right	Thru	Left	U Turns	Right	Thru	Left	U Turns	
07:00	1	63	3	0	12	4	32	0	12	98	1	0	8	1	6	0	241
07:15	2	60	2	0	15	4	44	0	11	119	8	0	4	1	5	0	275
07:30	1	71	1	0	27	2	44	0	23	117	14	0	4	1	6	0	311
07:45	2	92	2	0	25	3	41	0	17	129	18	0	9	2	9	0	349
Total	6	286	8	0	79	13	161	0	63	463	41	0	25	5	26	0	1176
08:00	2	87	9	1	22	5	27	0	19	134	7	3	7	1	10	0	334
08:15	1	91	9	0	24	2	36	0	27	122	5	2	6	2	7	0	334
08:30	1	81	6	2	24	7	38	0	11	136	11	0	9	4	9	0	339
08:45	3	85	12	0	16	6	25	0	17	131	9	0	10	4	6	0	324
Total	7	344	36	3	86	20	126	0	74	523	32	5	32	11	32	0	1331
16:00	3	169	14	0	17	9	27	0	25	184	17	0	17	7	19	0	508
16:15	1	170	7	1	26	3	19	0	24	193	20	1	25	6	14	0	510
16:30	7	197	15	4	19	6	26	0	19	192	14	0	15	6	21	0	541
16:45	2	175	13	1	21	5	25	0	22	200	23	2	13	3	13	0	518
Total	13	711	49	6	83	23	97	0	90	769	74	3	70	22	67	0	2077
17:00	2	184	19	0	17	8	21	0	24	175	18	0	11	4	27	0	510
17:15	6	180	16	1	17	5	28	0	25	183	20	1	22	7	12	0	523
17:30	1	144	4	0	20	5	19	0	35	178	11	1	14	2	17	0	451
17:45	0	140	7	0	9	4	21	0	24	147	10	1	13	4	10	0	390
Total	9	648	46	1	63	22	89	0	108	683	59	3	60	17	66	0	1874
Grand Total	35	1989	139	10	311	78	473	0	335	2438	206	11	187	55	191	0	6458
Apprch %	1.6	91.5	6.4	0.5	36.1	9	54.9	0	11.2	81.5	6.9	0.4	43.2	12.7	44.1	0	
Total %	0.5	30.8	2.2	0.2	4.8	1.2	7.3	0	5.2	37.8	3.2	0.2	2.9	0.9	3	0	

City: DANA POINT  
 N-S Direction: DOHENY PARK ROAD  
 E-W Direction: VICTORIA BOULEVARD

File Name : H1912009  
 Site Code : 00000000  
 Start Date : 12/5/2019  
 Page No : 2

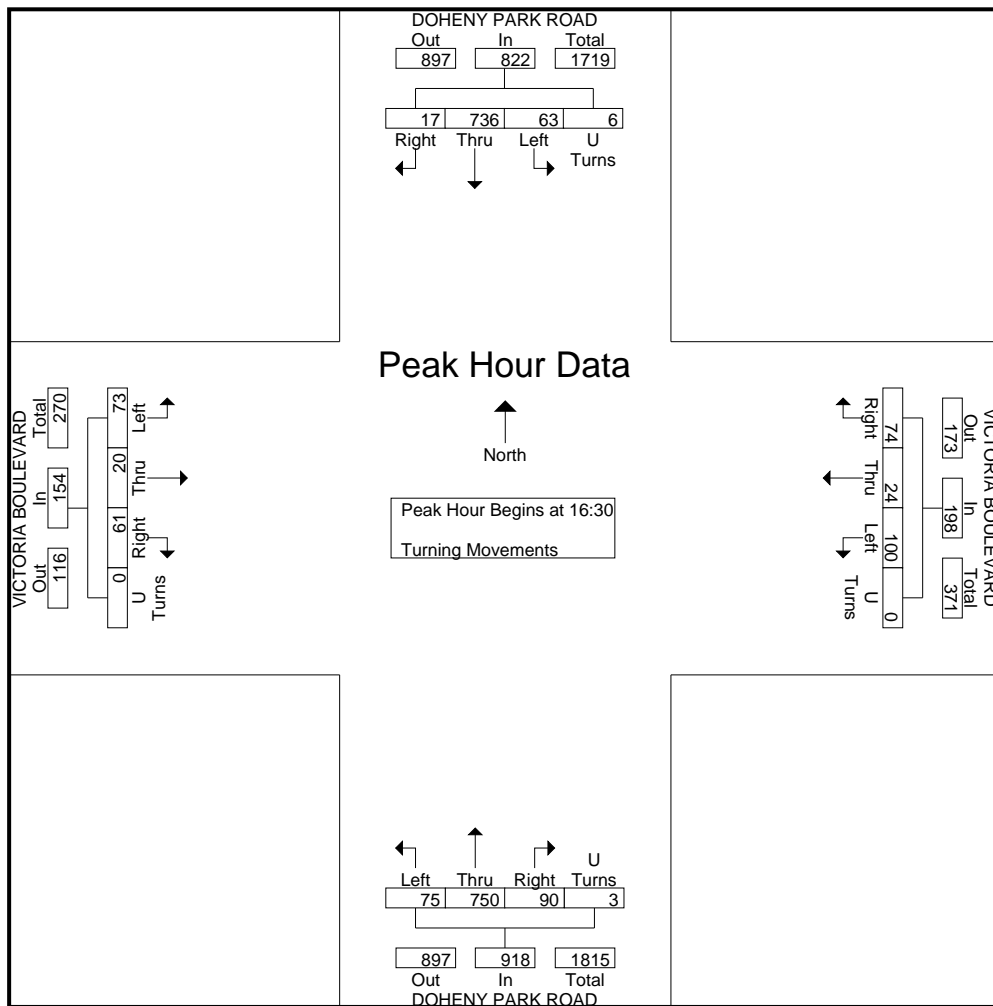
Start Time	DOHENY PARK ROAD Southbound					VICTORIA BOULEVARD Westbound					DOHENY PARK ROAD Northbound					VICTORIA BOULEVARD Eastbound					Int. Total	
	Right	Thru	Left	U Turns	App. Total	Right	Thru	Left	U Turns	App. Total	Right	Thru	Left	U Turns	App. Total	Right	Thru	Left	U Turns	App. Total		
Peak Hour Analysis From 07:00 to 08:45 - Peak 1 of 1																						
Peak Hour for Entire Intersection Begins at 07:45																						
07:45	2	92	2	0	96	25		41		69	17	129	18		164	9					349	
08:00	2	87	9		101	24	2	36	0	62	27	122	5	3	156	6	2	10	7	0	15	334
08:15	1	91	9	0	101	24	2	36	0	62	27	122	5	3	156	6	2	10	7	0	15	334
08:30	1	81	6	2	90	24	7	38	0	69	11	136	11	0	158	9	4	9	0	22	339	
Total Volume	6	351	26	3	386	95	17	142	0	254	74	521	41	5	641	31	9	35	0	75	1356	
% App. Total	1.6	90.9	6.7	0.8		37.4	6.7	55.9	0		11.5	81.3	6.4	0.8		41.3	12	46.7	0			
PHF	.750	.954	.722	.375	.955	.950	.607	.866	.000	.920	.685	.958	.569	.417	.977	.861	.563	.875	.000	.852	.971	



City: DANA POINT  
 N-S Direction: DOHENY PARK ROAD  
 E-W Direction: VICTORIA BOULEVARD

File Name : H1912009  
 Site Code : 0000000  
 Start Date : 12/5/2019  
 Page No : 3

Start Time	DOHENY PARK ROAD Southbound					VICTORIA BOULEVARD Westbound					DOHENY PARK ROAD Northbound					VICTORIA BOULEVARD Eastbound					Int. Total
	Right	Thru	Left	U Turns	App. Total	Right	Thru	Left	U Turns	App. Total	Right	Thru	Left	U Turns	App. Total	Right	Thru	Left	U Turns	App. Total	
Peak Hour Analysis From 16:00 to 17:45 - Peak 1 of 1																					
Peak Hour for Entire Intersection Begins at 16:30																					
16:30	7	197	15	4	223	19	6	26	0	51	19	192	14	0	225	15	6	21	0	42	541
16:45	2	175	13	1	191	21						200	23	2	247	13	3	13	0	29	518
17:00	2	184	19				8	21	0	46	24	175	18	0	217	11	4	27			
<b>17:15</b>	<b>6</b>	<b>180</b>	<b>16</b>	<b>1</b>	<b>203</b>	<b>17</b>	<b>5</b>	<b>28</b>	<b>0</b>	<b>50</b>	<b>25</b>	<b>183</b>	<b>20</b>	<b>1</b>	<b>229</b>	<b>22</b>	<b>7</b>	<b>12</b>	<b>0</b>	<b>41</b>	<b>523</b>
Total Volume	17	736	63	6	822	74	24	100	0	198	90	750	75	3	918	61	20	73	0	154	2092
% App. Total	2.1	89.5	7.7	0.7		37.4	12.1	50.5	0		9.8	81.7	8.2	0.3		39.6	13	47.4	0		
PHF	.607	.934	.829	.375	.922	.881	.750	.893	.000	.971	.900	.938	.815	.375	.929	.693	.714	.676	.000	.917	.967





City: DANA POINT  
 N-S Direction: DOHENY PARK ROAD  
 E-W Direction: VICTORIA BOULEVARD

File Name : H1912020  
 Site Code : 00000000  
 Start Date : 12/7/2019  
 Page No : 1

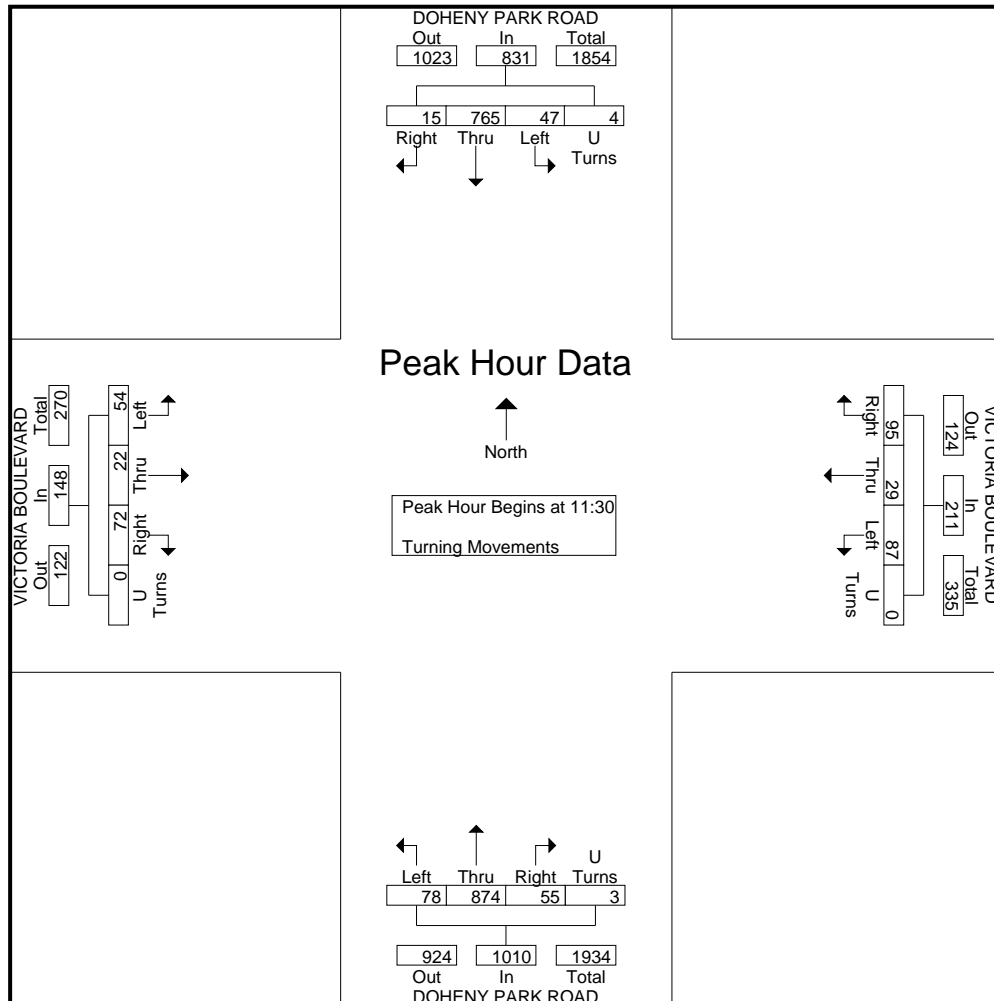
Groups Printed- Turning Movements

Start Time	DOHENY PARK ROAD Southbound				VICTORIA BOULEVARD Westbound				DOHENY PARK ROAD Northbound				VICTORIA BOULEVARD Eastbound				Int. Total
	Right	Thru	Left	U Turns	Right	Thru	Left	U Turns	Right	Thru	Left	U Turns	Right	Thru	Left	U Turns	
10:00	1	144	9	0	18	2	20	0	9	163	14	1	4	3	8	0	396
10:15	6	146	9	0	20	4	14	0	12	221	15	0	19	4	9	0	479
10:30	2	155	11	0	17	5	21	0	7	190	26	1	10	5	8	0	458
10:45	1	193	7	0	23	3	20	0	16	187	22	1	17	3	20	0	513
Total	10	638	36	0	78	14	75	0	44	761	77	3	50	15	45	0	1846
11:00	4	164	15	0	27	4	26	0	11	187	16	1	9	3	8	0	475
11:15	6	186	10	2	30	5	17	0	7	221	19	2	9	4	19	0	537
11:30	6	202	16	1	21	4	23	0	17	225	20	1	17	4	8	0	565
11:45	1	203	15	0	22	8	23	0	12	194	17	2	20	5	16	0	538
Total	17	755	56	3	100	21	89	0	47	827	72	6	55	16	51	0	2115
12:00	6	187	11	1	20	10	20	0	10	226	18	0	18	5	17	0	549
12:15	2	173	5	2	32	7	21	0	16	229	23	0	17	8	13	0	548
12:30	4	199	8	1	19	7	21	0	12	195	27	1	15	5	16	0	530
12:45	1	214	7	1	22	8	17	0	14	202	26	0	14	4	18	0	548
Total	13	773	31	5	93	32	79	0	52	852	94	1	64	22	64	0	2175
13:00	1	167	11	0	17	6	17	0	12	180	24	6	15	5	11	0	472
13:15	0	180	10	0	22	9	24	0	12	211	16	0	17	13	20	0	534
13:30	0	214	11	1	25	5	19	0	12	237	22	2	18	3	11	0	580
13:45	1	189	19	1	11	8	21	0	15	195	16	0	16	10	19	0	521
Total	2	750	51	2	75	28	81	0	51	823	78	8	66	31	61	0	2107
Grand Total	42	2916	174	10	346	95	324	0	194	3263	321	18	235	84	221	0	8243
Apprch %	1.3	92.8	5.5	0.3	45.2	12.4	42.4	0	5.1	86	8.5	0.5	43.5	15.6	40.9	0	
Total %	0.5	35.4	2.1	0.1	4.2	1.2	3.9	0	2.4	39.6	3.9	0.2	2.9	1	2.7	0	

City: DANA POINT  
 N-S Direction: DOHENY PARK ROAD  
 E-W Direction: VICTORIA BOULEVARD

File Name : H1912020  
 Site Code : 00000000  
 Start Date : 12/7/2019  
 Page No : 2

Start Time	DOHENY PARK ROAD Southbound					VICTORIA BOULEVARD Westbound					DOHENY PARK ROAD Northbound					VICTORIA BOULEVARD Eastbound					Int. Total
	Right	Thru	Left	U Turns	App. Total	Right	Thru	Left	U Turns	App. Total	Right	Thru	Left	U Turns	App. Total	Right	Thru	Left	U Turns	App. Total	
Peak Hour Analysis From 10:00 to 13:45 - Peak 1 of 1																					
Peak Hour for Entire Intersection Begins at 11:30																					
11:30	6	16	0	0	225	21	4	23	0	53	17	17	0	0	17	20	5	17	0	41	565
11:45	1	203	15	0	219	22	8	23	0	53	12	194	17	2	254	18	5	17	0	41	538
12:00	6	187	11	1	205	20	10	20	0	50	16	229	23	0	268	17	8	13	0	38	548
12:15	2	173	5	2	182	32	7	21	0	60	16	229	23	0	268	17	8	13	0	38	548
Total Volume	15	765	47	4	831	95	29	87	0	211	55	874	78	3	1010	72	22	54	0	148	2200
% App. Total	1.8	92.1	5.7	0.5		45	13.7	41.2	0		5.4	86.5	7.7	0.3		48.6	14.9	36.5	0		
PHF	.625	.942	.734	.500	.923	.742	.725	.946	.000	.879	.809	.954	.848	.375	.942	.900	.688	.794	.000	.902	.973



City: DANA POINT  
 N-S Direction: DOHENY PARK ROAD  
 E-W Direction: DOMINGO AVENUE

File Name : H1912010  
 Site Code : 00000000  
 Start Date : 12/5/2019  
 Page No : 1

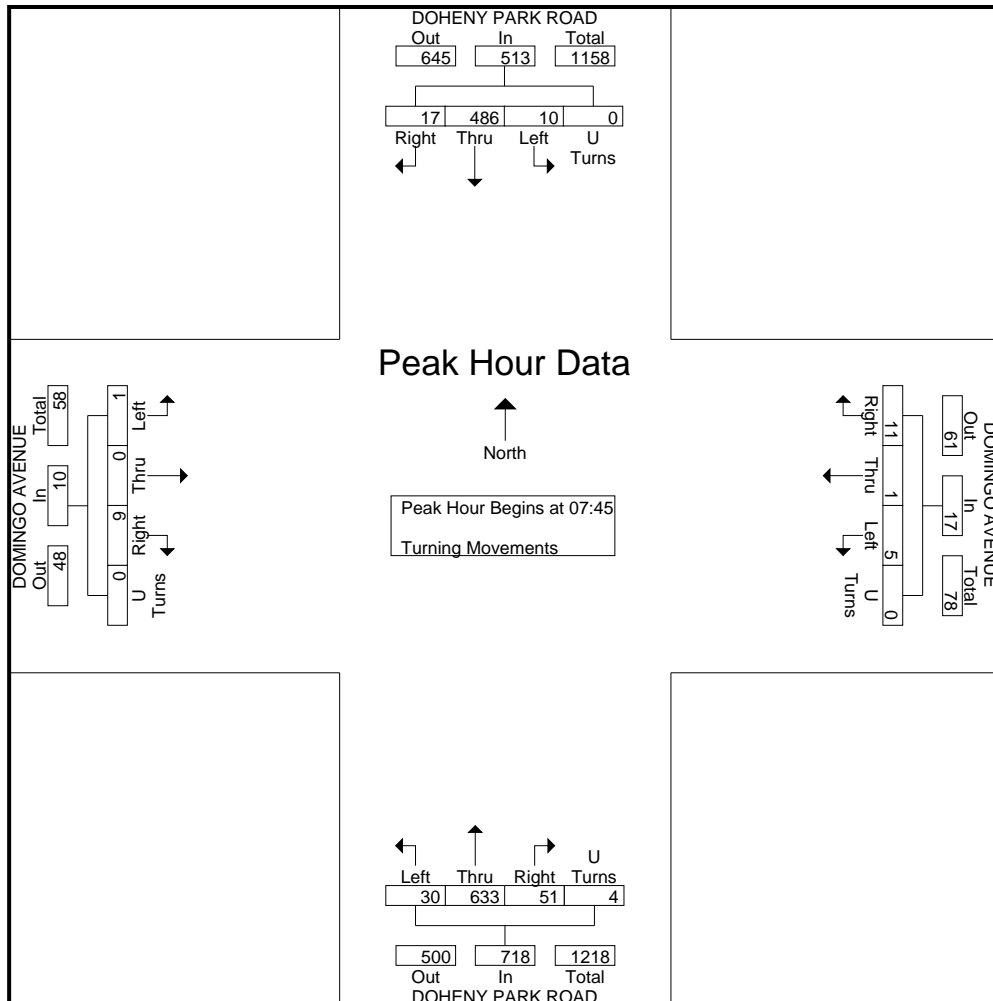
Groups Printed- Turning Movements

Start Time	DOHENY PARK ROAD Southbound				DOMINGO AVENUE Westbound				DOHENY PARK ROAD Northbound				DOMINGO AVENUE Eastbound				Int. Total
	Right	Thru	Left	U Turns	Right	Thru	Left	U Turns	Right	Thru	Left	U Turns	Right	Thru	Left	U Turns	
07:00	3	105	1	0	2	0	2	0	12	105	1	0	4	0	0	0	235
07:15	2	101	2	0	3	0	3	0	6	139	4	1	1	0	1	0	263
07:30	0	117	0	0	1	0	0	0	4	153	2	1	1	0	0	0	279
07:45	5	130	3	0	2	0	1	0	14	160	11	0	3	0	0	0	329
Total	10	453	6	0	8	0	6	0	36	557	18	2	9	0	1	0	1106
08:00	5	116	1	0	3	0	1	0	8	159	8	1	3	0	0	0	305
08:15	5	117	3	0	2	0	1	0	18	155	3	1	2	0	0	0	307
08:30	2	123	3	0	4	1	2	0	11	159	8	2	1	0	1	0	317
08:45	1	113	4	0	0	0	4	0	21	151	6	2	4	0	0	0	306
Total	13	469	11	0	9	1	8	0	58	624	25	6	10	0	1	0	1235
16:00	6	221	1	0	3	0	1	0	9	218	4	2	3	0	3	0	471
16:15	8	201	2	1	4	0	3	0	4	236	5	2	1	1	1	0	469
16:30	7	223	3	0	2	0	0	0	11	227	8	3	2	0	0	0	486
16:45	3	204	3	0	3	0	2	0	12	244	5	1	6	0	2	0	485
Total	24	849	9	1	12	0	6	0	36	925	22	8	12	1	6	0	1911
17:00	4	206	6	0	5	0	5	0	12	214	7	1	5	0	2	0	467
17:15	7	222	1	0	6	0	2	0	10	220	4	1	2	0	0	0	475
17:30	4	171	3	0	1	0	3	0	7	224	2	2	2	1	0	0	420
17:45	7	161	4	1	3	0	1	0	23	186	4	0	3	0	1	0	394
Total	22	760	14	1	15	0	11	0	52	844	17	4	12	1	3	0	1756
Grand Total	69	2531	40	2	44	1	31	0	182	2950	82	20	43	2	11	0	6008
Apprch %	2.6	95.8	1.5	0.1	57.9	1.3	40.8	0	5.6	91.2	2.5	0.6	76.8	3.6	19.6	0	
Total %	1.1	42.1	0.7	0	0.7	0	0.5	0	3	49.1	1.4	0.3	0.7	0	0.2	0	

City: DANA POINT  
 N-S Direction: DOHENY PARK ROAD  
 E-W Direction: DOMINGO AVENUE

File Name : H1912010  
 Site Code : 00000000  
 Start Date : 12/5/2019  
 Page No : 2

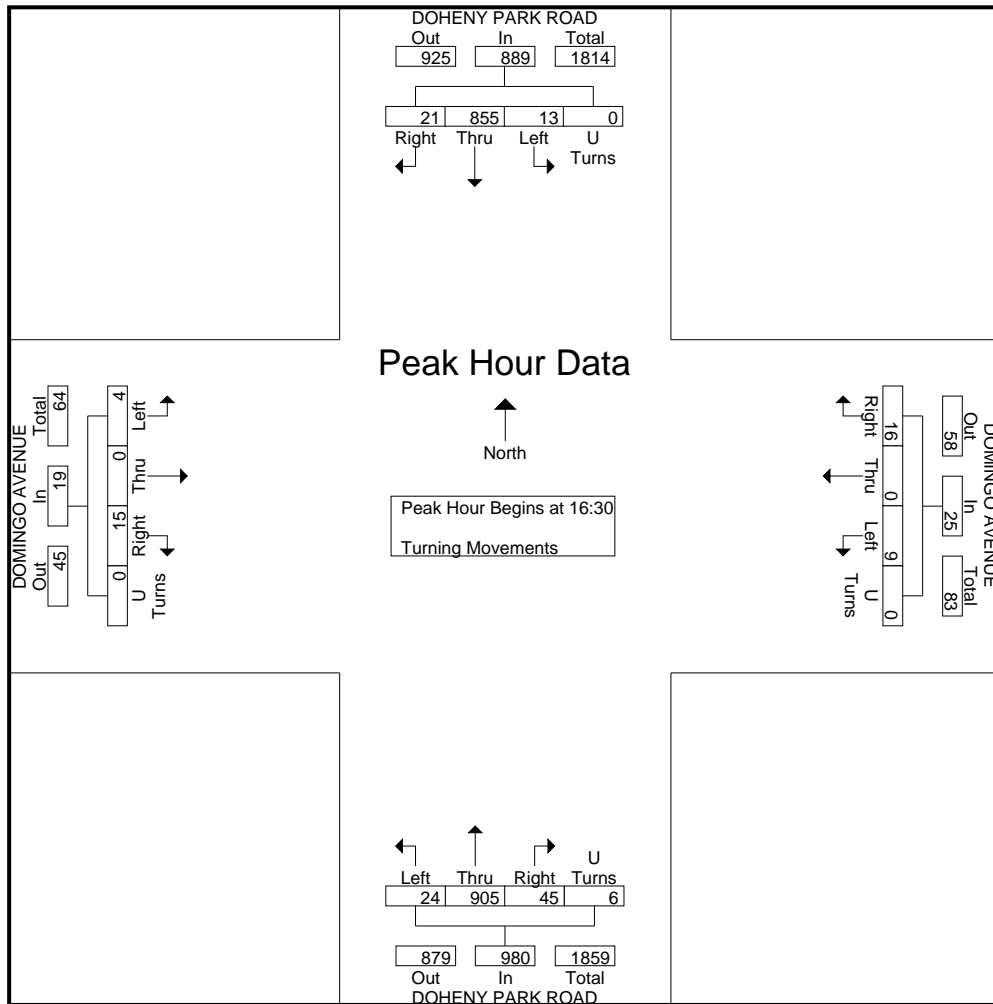
Start Time	DOHENY PARK ROAD Southbound					DOMINGO AVENUE Westbound					DOHENY PARK ROAD Northbound					DOMINGO AVENUE Eastbound					Int. Total
	Right	Thru	Left	U Turns	App. Total	Right	Thru	Left	U Turns	App. Total	Right	Thru	Left	U Turns	App. Total	Right	Thru	Left	U Turns	App. Total	
Peak Hour Analysis From 07:00 to 08:45 - Peak 1 of 1																					
Peak Hour for Entire Intersection Begins at 07:45																					
07:45	5	130	3		138	2	0	1	0	3	14	160	11		185	3				3	329
08:00	5	116	1	0	122	3	0	1	0	4	8	159	8	1	176	3	0	0	0	3	305
08:15	5	117	3	0	125	2	0	1	0	3		18									
<b>08:30</b>	<b>2</b>	<b>123</b>	<b>3</b>	<b>0</b>	<b>128</b>	<b>4</b>	<b>1</b>	<b>2</b>	<b>0</b>	<b>7</b>	<b>11</b>	<b>159</b>	<b>8</b>	<b>2</b>	<b>180</b>	<b>1</b>	<b>0</b>	<b>1</b>	<b>0</b>	<b>2</b>	<b>317</b>
Total Volume	17	486	10	0	513	11	1	5	0	17	51	633	30	4	718	9	0	1	0	10	1258
% App. Total	3.3	94.7	1.9	0		64.7	5.9	29.4	0		7.1	88.2	4.2	0.6		90	0	10	0		
PHF	.850	.935	.833	.000	.929	.688	.250	.625	.000	.607	.708	.989	.682	.500	.970	.750	.000	.250	.000	.833	.956



City: DANA POINT  
 N-S Direction: DOHENY PARK ROAD  
 E-W Direction: DOMINGO AVENUE

File Name : H1912010  
 Site Code : 00000000  
 Start Date : 12/5/2019  
 Page No : 3

Start Time	DOHENY PARK ROAD Southbound					DOMINGO AVENUE Westbound					DOHENY PARK ROAD Northbound					DOMINGO AVENUE Eastbound					Int. Total
	Right	Thru	Left	U Turns	App. Total	Right	Thru	Left	U Turns	App. Total	Right	Thru	Left	U Turns	App. Total	Right	Thru	Left	U Turns	App. Total	
Peak Hour Analysis From 16:00 to 17:45 - Peak 1 of 1																					
Peak Hour for Entire Intersection Begins at 16:30																					
16:30	7	223	3	0	233	2	0	0	0	2	11	227	8	3							486
16:45	3	204	3	0	210	3	0	2	0	5	12	244	5	1	262	6		2			485
17:00	4	206	6					5		10	12	214	7	1	234	5	0	2	0		467
17:15	7	222	1	0	230	6															
Total Volume	21	855	13	0	889	16	0	9	0	25	45	905	24	6	980	15	0	4	0	19	1913
% App. Total	2.4	96.2	1.5	0		64	0	36	0		4.6	92.3	2.4	0.6		78.9	0	21.1	0		
PHF	.750	.959	.542	.000	.954	.667	.000	.450	.000	.625	.938	.927	.750	.500	.935	.625	.000	.500	.000	.594	.984



City: DANA POINT  
 N-S Direction: DOHENY PARK ROAD  
 E-W Direction: DOMINGO AVENUE

File Name : H1912021  
 Site Code : 00000000  
 Start Date : 12/7/2019  
 Page No : 1

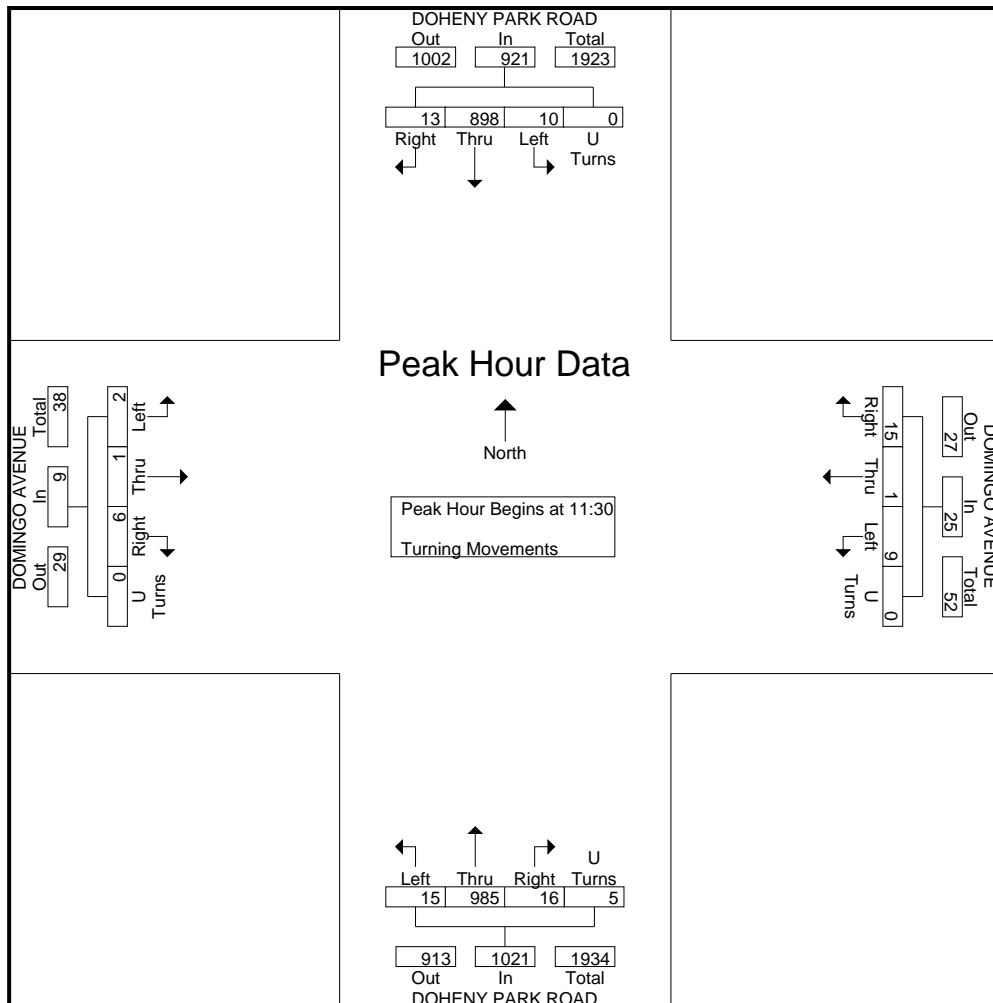
Groups Printed- Turning Movements

Start Time	DOHENY PARK ROAD Southbound				DOMINGO AVENUE Westbound				DOHENY PARK ROAD Northbound				DOMINGO AVENUE Eastbound				Int. Total
	Right	Thru	Left	U Turns	Right	Thru	Left	U Turns	Right	Thru	Left	U Turns	Right	Thru	Left	U Turns	
10:00	3	167	2	0	2	0	1	0	7	189	6	0	4	0	2	0	383
10:15	2	173	6	0	3	0	1	0	2	237	4	1	4	1	0	0	434
10:30	3	176	1	0	2	0	3	0	3	225	3	2	2	0	2	0	422
10:45	4	226	3	0	4	0	3	0	6	223	3	1	4	0	0	0	477
Total	12	742	12	0	11	0	8	0	18	874	16	4	14	1	4	0	1716
11:00	2	192	2	0	4	1	2	0	12	208	3	2	3	0	1	0	432
11:15	5	209	0	0	6	0	0	0	6	236	6	0	2	0	0	0	470
11:30	4	232	3	0	4	0	2	0	5	257	5	1	2	1	1	0	517
11:45	2	242	3	0	5	0	0	0	2	216	5	1	2	0	0	0	478
Total	13	875	8	0	19	1	4	0	25	917	19	4	9	1	2	0	1897
12:00	2	220	3	0	4	0	6	0	6	254	1	1	1	0	1	0	499
12:15	5	204	1	0	2	1	1	0	3	258	4	2	1	0	0	0	482
12:30	1	230	6	0	4	0	1	0	6	237	2	0	3	0	0	0	490
12:45	4	235	0	0	2	0	3	0	5	227	5	7	1	0	3	0	492
Total	12	889	10	0	12	1	11	0	20	976	12	10	6	0	4	0	1963
13:00	0	202	1	0	6	0	1	0	6	221	6	4	1	1	1	0	450
13:15	0	219	1	2	3	0	1	0	3	233	9	2	6	0	1	0	480
13:30	6	240	2	0	3	0	0	0	8	255	8	1	2	0	0	0	525
13:45	3	218	4	0	2	0	1	0	6	231	3	2	7	0	0	0	477
Total	9	879	8	2	14	0	3	0	23	940	26	9	16	1	2	0	1932
Grand Total	46	3385	38	2	56	2	26	0	86	3707	73	27	45	3	12	0	7508
Apprch %	1.3	97.5	1.1	0.1	66.7	2.4	31	0	2.2	95.2	1.9	0.7	75	5	20	0	
Total %	0.6	45.1	0.5	0	0.7	0	0.3	0	1.1	49.4	1	0.4	0.6	0	0.2	0	

City: DANA POINT  
 N-S Direction: DOHENY PARK ROAD  
 E-W Direction: DOMINGO AVENUE

File Name : H1912021  
 Site Code : 00000000  
 Start Date : 12/7/2019  
 Page No : 2

Start Time	DOHENY PARK ROAD Southbound					DOMINGO AVENUE Westbound					DOHENY PARK ROAD Northbound					DOMINGO AVENUE Eastbound					Int. Total
	Right	Thru	Left	U Turns	App. Total	Right	Thru	Left	U Turns	App. Total	Right	Thru	Left	U Turns	App. Total	Right	Thru	Left	U Turns	App. Total	
Peak Hour Analysis From 10:00 to 13:45 - Peak 1 of 1																					
Peak Hour for Entire Intersection Begins at 11:30																					
11:30	4	232	3										5		268	2	1	1		4	517
11:45	2	242	3	0	247	5															
12:00	2	220	3	0	225	4	0	6	0	10	6	254	1	1	262	1	0	1	0	2	499
12:15	5	204	1	0	210	2	1	1	0	4	3	258	4	2	267	1	0	0	0	1	482
Total Volume	13	898	10	0	921	15	1	9	0	25	16	985	15	5	1021	6	1	2	0	9	1976
% App. Total	1.4	97.5	1.1	0		60	4	36	0		1.6	96.5	1.5	0.5		66.7	11.1	22.2	0		
PHF	.650	.928	.833	.000	.932	.750	.250	.375	.000	.625	.667	.954	.750	.625	.952	.750	.250	.500	.000	.563	.956



City: DANA POINT  
 N-S Direction: DOHENY PARK ROAD  
 E-W Direction: LAS VEGAS AVENUE

File Name : H1912011  
 Site Code : 00000000  
 Start Date : 12/5/2019  
 Page No : 1

Groups Printed- Turning Movements

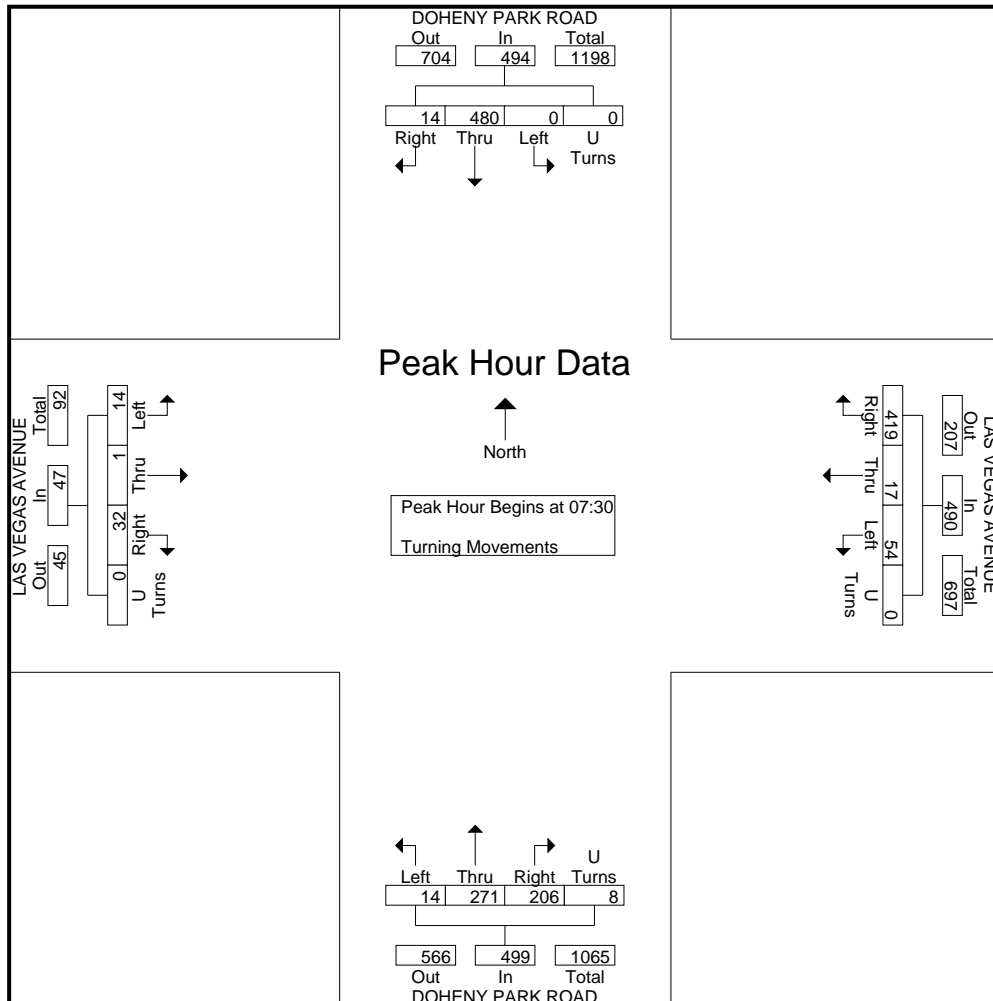
Start Time	DOHENY PARK ROAD Southbound				LAS VEGAS AVENUE Westbound				DOHENY PARK ROAD Northbound				LAS VEGAS AVENUE Eastbound				Int. Total
	Right	Thru	Left	U Turns	Right	Thru	Left	U Turns	Right	Thru	Left	U Turns	Right	Thru	Left	U Turns	
07:00	4	98	0	0	75	4	12	0	42	40	3	0	3	0	3	0	284
07:15	5	100	0	0	84	6	10	0	46	63	4	0	3	0	2	0	323
07:30	3	121	0	0	97	3	12	0	51	57	3	1	6	0	5	0	359
07:45	2	133	0	0	110	4	10	0	45	72	3	1	5	0	1	0	386
Total	14	452	0	0	366	17	44	0	184	232	13	2	17	0	11	0	1352
08:00	4	115	0	0	108	5	11	0	50	72	4	1	12	1	3	0	386
08:15	5	111	0	0	104	5	21	0	60	70	4	5	9	0	5	0	399
08:30	1	118	0	0	91	3	11	0	37	71	4	2	7	0	6	0	351
08:45	8	119	0	0	102	1	21	0	47	73	1	2	3	0	3	0	380
Total	18	463	0	0	405	14	64	0	194	286	13	10	31	1	17	0	1516
16:00	6	210	0	0	132	3	19	0	49	92	2	2	7	0	9	0	531
16:15	1	216	0	0	149	1	26	0	48	100	3	4	5	0	0	0	553
16:30	3	225	0	0	143	0	20	0	53	103	1	2	11	1	2	0	564
16:45	2	209	0	0	142	3	23	0	49	113	2	2	8	0	8	0	561
Total	12	860	0	0	566	7	88	0	199	408	8	10	31	1	19	0	2209
17:00	1	217	0	0	145	6	14	0	60	87	1	3	6	0	1	0	541
17:15	0	217	0	0	135	2	11	0	56	100	0	3	3	0	3	0	530
17:30	0	183	0	0	134	0	11	0	43	96	1	1	7	0	3	0	479
17:45	2	165	0	0	133	1	17	0	33	74	0	4	5	0	1	0	435
Total	3	782	0	0	547	9	53	0	192	357	2	11	21	0	8	0	1985
Grand Total	47	2557	0	0	1884	47	249	0	769	1283	36	33	100	2	55	0	7062
Apprch %	1.8	98.2	0	0	86.4	2.2	11.4	0	36.3	60.5	1.7	1.6	63.7	1.3	35	0	
Total %	0.7	36.2	0	0	26.7	0.7	3.5	0	10.9	18.2	0.5	0.5	1.4	0	0.8	0	



City: DANA POINT  
 N-S Direction: DOHENY PARK ROAD  
 E-W Direction: LAS VEGAS AVENUE

File Name : H1912011  
 Site Code : 0000000  
 Start Date : 12/5/2019  
 Page No : 2

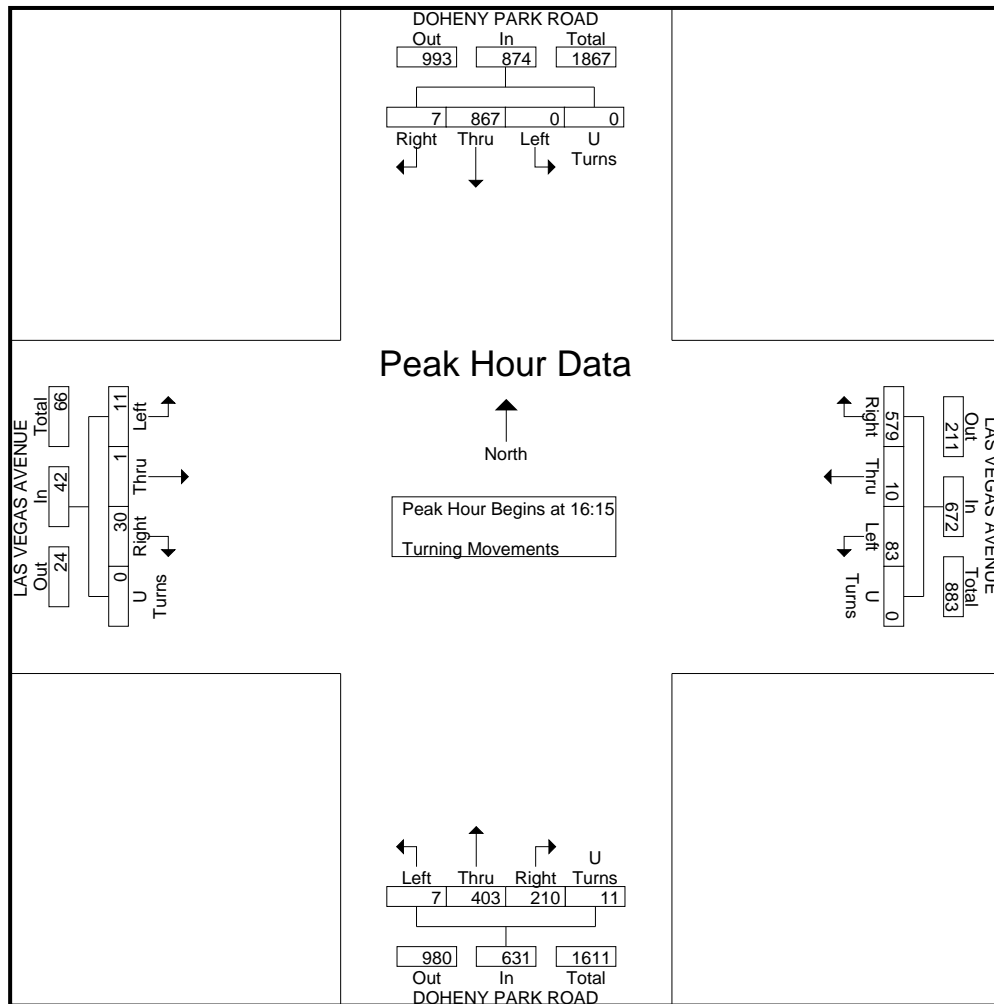
Start Time	DOHENY PARK ROAD Southbound					LAS VEGAS AVENUE Westbound					DOHENY PARK ROAD Northbound					LAS VEGAS AVENUE Eastbound					Int. Total
	Right	Thru	Left	U Turns	App. Total	Right	Thru	Left	U Turns	App. Total	Right	Thru	Left	U Turns	App. Total	Right	Thru	Left	U Turns	App. Total	
Peak Hour Analysis From 07:00 to 08:45 - Peak 1 of 1																					
Peak Hour for Entire Intersection Begins at 07:30																					
07:30	3	121	0	0	124	97	3	12	0	112	51	57	3	1	112	6	0	5	0	6	386
<b>07:45</b>	<b>2</b>	<b>133</b>	0	0	<b>135</b>	<b>110</b>	<b>4</b>	<b>10</b>	<b>0</b>	<b>124</b>	<b>45</b>	<b>72</b>	3	1	121	<b>12</b>	<b>1</b>	3	0	<b>16</b>	386
08:00	4	115	0	0	119	108	5	11	0	124	50	72	4								
08:15	<b>5</b>							<b>21</b>		<b>130</b>	<b>60</b>			<b>5</b>	<b>139</b>	<b>9</b>	<b>0</b>	<b>5</b>	<b>0</b>	<b>14</b>	<b>399</b>
Total Volume	14	480	0	0	494	419	17	54	0	490	206	271	14	8	499	32	1	14	0	47	1530
% App. Total	2.8	97.2	0	0		85.5	3.5	11	0		41.3	54.3	2.8	1.6		68.1	2.1	29.8	0		
PHF	.700	.902	.000	.000	.915	.952	.850	.643	.000	.942	.858	.941	.875	.400	.897	.667	.250	.700	.000	.734	.959



City: DANA POINT  
 N-S Direction: DOHENY PARK ROAD  
 E-W Direction: LAS VEGAS AVENUE

File Name : H1912011  
 Site Code : 0000000  
 Start Date : 12/5/2019  
 Page No : 3

Start Time	DOHENY PARK ROAD Southbound					LAS VEGAS AVENUE Westbound					DOHENY PARK ROAD Northbound					LAS VEGAS AVENUE Eastbound					Int. Total
	Right	Thru	Left	U Turns	App. Total	Right	Thru	Left	U Turns	App. Total	Right	Thru	Left	U Turns	App. Total	Right	Thru	Left	U Turns	App. Total	
Peak Hour Analysis From 15:45 to 17:45 - Peak 1 of 1																					
Peak Hour for Entire Intersection Begins at 16:15																					
16:15	1	216	0	0	217	149	0	26	0	176	48	100	3	4							
16:30	3	225	0	0	228	143	0	20	0	163	53	103	1	2	159	11	1	2	0	14	564
16:45	2	209	0	0	211	142	3	23	0	168	49	113	2	2	166	8	0	8	0	16	561
17:00	1	217	0	0	218	145	6	14	0	165	60										
Total Volume	7	867	0	0	874	579	10	83	0	672	210	403	7	11	631	30	1	11	0	42	2219
% App. Total	0.8	99.2	0	0		86.2	1.5	12.4	0		33.3	63.9	1.1	1.7		71.4	2.4	26.2	0		
PHF	.583	.963	.000	.000	.958	.971	.417	.798	.000	.955	.875	.892	.583	.688	.950	.682	.250	.344	.000	.656	.984



City: DANA POINT  
 N-S Direction: DOHENY PARK ROAD  
 E-W Direction: LAS VEGAS AVENUE

File Name : H1912022  
 Site Code : 00000000  
 Start Date : 12/7/2019  
 Page No : 1

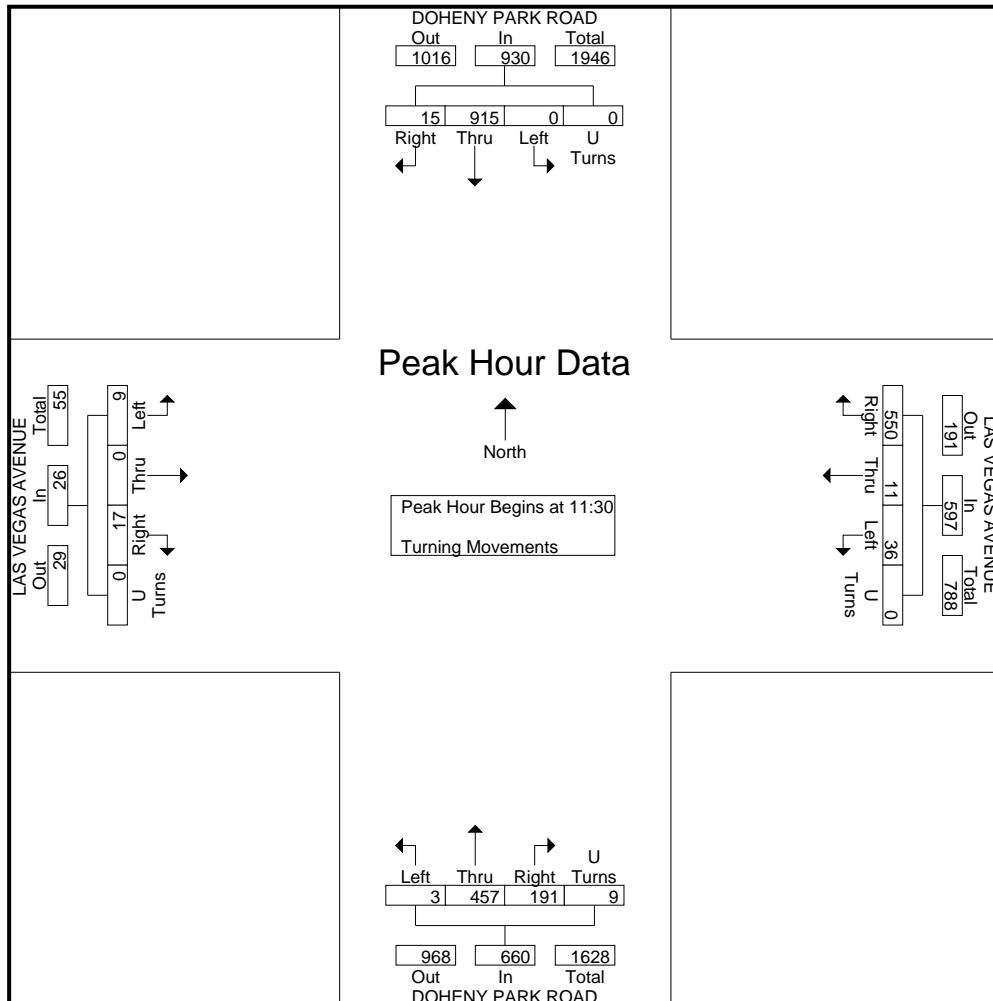
Groups Printed- Turning Movements

Start Time	DOHENY PARK ROAD Southbound				LAS VEGAS AVENUE Westbound				DOHENY PARK ROAD Northbound				LAS VEGAS AVENUE Eastbound				Int. Total
	Right	Thru	Left	U Turns	Right	Thru	Left	U Turns	Right	Thru	Left	U Turns	Right	Thru	Left	U Turns	
10:00	4	168	0	0	111	1	18	0	54	84	1	4	1	0	3	0	449
10:15	3	188	0	0	154	1	11	0	41	93	2	5	0	0	2	0	500
10:30	0	179	0	0	142	9	18	0	36	86	3	4	4	0	4	0	485
10:45	2	226	0	0	128	2	20	0	66	102	1	2	3	0	4	0	556
Total	9	761	0	0	535	13	67	0	197	365	7	15	8	0	13	0	1990
11:00	7	196	0	0	128	3	11	0	57	88	0	1	7	0	5	0	503
11:15	2	205	0	0	151	2	8	0	55	106	4	3	4	0	2	0	542
11:30	3	232	0	0	148	2	11	0	51	107	1	3	4	0	3	0	565
11:45	4	254	0	0	134	3	7	0	52	91	0	5	5	0	2	0	557
Total	16	887	0	0	561	10	37	0	215	392	5	12	20	0	12	0	2167
12:00	2	220	0	0	138	5	10	0	46	118	0	0	1	0	3	0	543
12:15	6	209	0	0	130	1	8	0	42	141	2	1	7	0	1	0	548
12:30	4	215	0	0	134	1	11	0	48	105	1	0	6	0	2	0	527
12:45	7	250	0	0	132	3	13	0	55	102	1	2	5	0	2	0	572
Total	19	894	0	0	534	10	42	0	191	466	4	3	19	0	8	0	2190
13:00	3	198	0	0	114	1	7	0	45	121	4	2	9	0	6	0	510
13:15	2	234	0	0	133	4	12	0	44	107	2	2	4	1	2	0	547
13:30	4	230	0	0	158	3	13	0	42	112	0	1	2	1	4	0	570
13:45	1	222	0	1	149	2	13	0	55	86	1	2	4	0	0	0	536
Total	10	884	0	1	554	10	45	0	186	426	7	7	19	2	12	0	2163
Grand Total	54	3426	0	1	2184	43	191	0	789	1649	23	37	66	2	45	0	8510
Apprch %	1.6	98.4	0	0	90.3	1.8	7.9	0	31.6	66	0.9	1.5	58.4	1.8	39.8	0	
Total %	0.6	40.3	0	0	25.7	0.5	2.2	0	9.3	19.4	0.3	0.4	0.8	0	0.5	0	

City: DANA POINT  
 N-S Direction: DOHENY PARK ROAD  
 E-W Direction: LAS VEGAS AVENUE

File Name : H1912022  
 Site Code : 00000000  
 Start Date : 12/7/2019  
 Page No : 2

Start Time	DOHENY PARK ROAD Southbound					LAS VEGAS AVENUE Westbound					DOHENY PARK ROAD Northbound					LAS VEGAS AVENUE Eastbound					Int. Total
	Right	Thru	Left	U Turns	App. Total	Right	Thru	Left	U Turns	App. Total	Right	Thru	Left	U Turns	App. Total	Right	Thru	Left	U Turns	App. Total	
Peak Hour Analysis From 10:00 to 13:45 - Peak 1 of 1																					
Peak Hour for Entire Intersection Begins at 11:30																					
11:30	3	232	0	0	235	148	11	161	51	107	1	3	162	4	0	3					565
11:45	4	254	0	0	258	134	3	7	0	144	52	5									
12:00	2	220	0	0	222	138	5	10	0	153	46	118	0	0	164	1	0	3	0	4	543
12:15	6										141	2	186	7						8	548
Total Volume	15	915	0	0	930	550	11	36	0	597	191	457	3	9	660	17	0	9	0	26	2213
% App. Total	1.6	98.4	0	0		92.1	1.8	6	0		28.9	69.2	0.5	1.4		65.4	0	34.6	0		
PHF	.625	.901	.000	.000	.901	.929	.550	.818	.000	.927	.918	.810	.375	.450	.887	.607	.000	.750	.000	.813	.979



City: DANA POINT  
 N-S Direction: DOHENY PARK ROAD  
 E-W Direction: PCH WB ON RAMP

File Name : H2001013  
 Site Code : 00000000  
 Start Date : 1/15/2020  
 Page No : 1

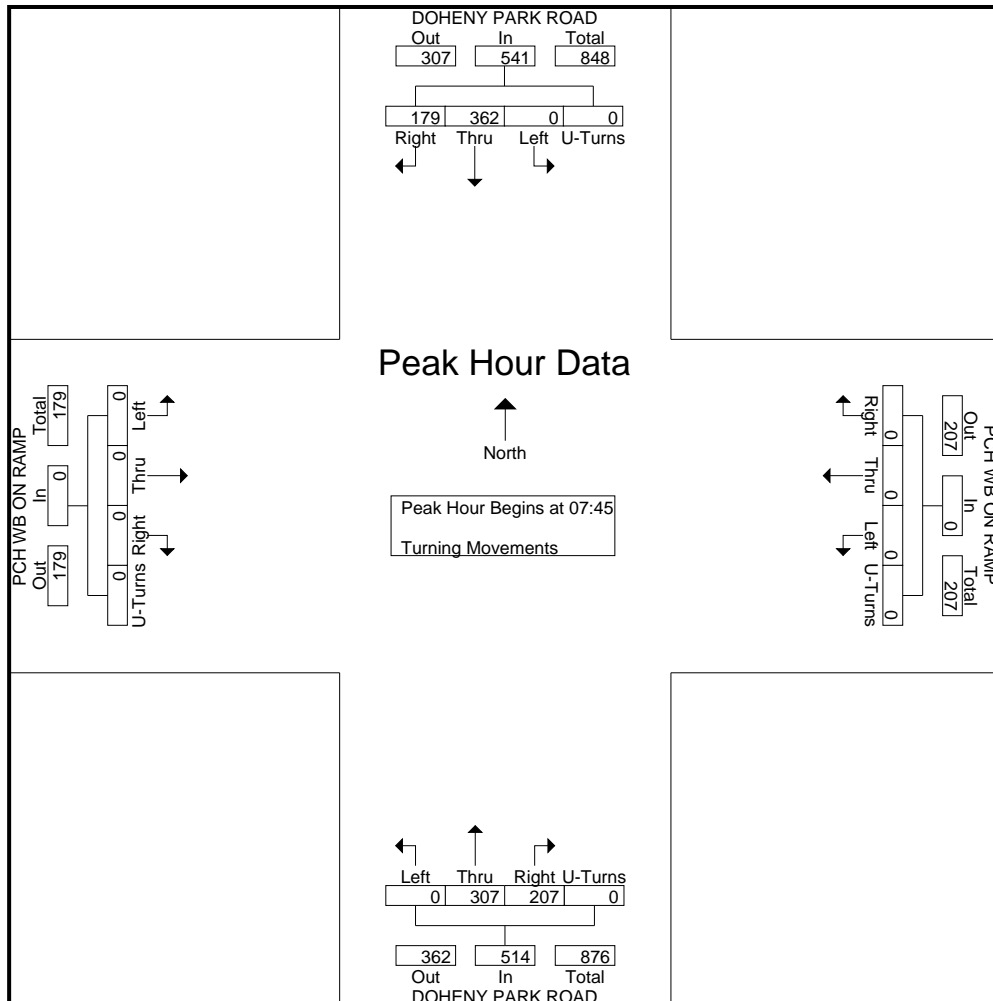
Groups Printed- Turning Movements

Start Time	DOHENY PARK ROAD Southbound				PCH WB ON RAMP Westbound				DOHENY PARK ROAD Northbound				PCH WB ON RAMP Eastbound				Int. Total
	Right	Thru	Left	U-Turns	Right	Thru	Left	U-Turns	Right	Thru	Left	U-Turns	Right	Thru	Left	U-Turns	
07:00	33	70	0	0	0	0	0	0	35	50	0	0	0	0	0	0	188
07:15	50	91	0	0	0	0	0	0	34	53	0	0	0	0	0	0	228
07:30	49	79	0	0	0	0	0	0	50	59	0	0	0	0	0	0	237
07:45	51	102	0	0	0	0	0	0	53	80	0	0	0	0	0	0	286
Total	183	342	0	0	0	0	0	0	172	242	0	0	0	0	0	0	939
08:00	48	70	0	0	0	0	0	0	54	78	0	0	0	0	0	0	250
08:15	49	94	0	0	0	0	0	0	56	71	0	0	0	0	0	0	270
08:30	31	96	0	0	0	0	0	0	44	78	0	0	0	0	0	0	249
08:45	40	96	0	0	0	0	0	0	53	83	0	0	0	0	0	0	272
Total	168	356	0	0	0	0	0	0	207	310	0	0	0	0	0	0	1041
16:00	59	179	0	0	0	0	0	0	54	133	0	0	0	0	0	0	425
16:15	61	151	0	0	0	0	0	0	55	91	0	0	0	0	0	0	358
16:30	58	183	0	0	0	0	0	0	52	108	0	0	0	0	0	0	401
16:45	67	196	0	0	0	0	0	0	53	105	0	0	0	0	0	0	421
Total	245	709	0	0	0	0	0	0	214	437	0	0	0	0	0	0	1605
17:00	57	176	0	0	0	0	0	0	65	127	0	0	0	0	0	0	425
17:15	74	170	0	0	0	0	0	0	61	129	0	0	0	0	0	0	434
17:30	53	145	0	0	0	0	0	0	59	83	0	0	0	0	0	0	340
17:45	54	156	0	0	0	0	0	0	41	72	0	0	0	0	0	0	323
Total	238	647	0	0	0	0	0	0	226	411	0	0	0	0	0	0	1522
Grand Total	834	2054	0	0	0	0	0	0	819	1400	0	0	0	0	0	0	5107
Apprch %	28.9	71.1	0	0	0	0	0	0	36.9	63.1	0	0	0	0	0	0	
Total %	16.3	40.2	0	0	0	0	0	0	16	27.4	0	0	0	0	0	0	

City: DANA POINT  
 N-S Direction: DOHENY PARK ROAD  
 E-W Direction: PCH WB ON RAMP

File Name : H2001013  
 Site Code : 0000000  
 Start Date : 1/15/2020  
 Page No : 2

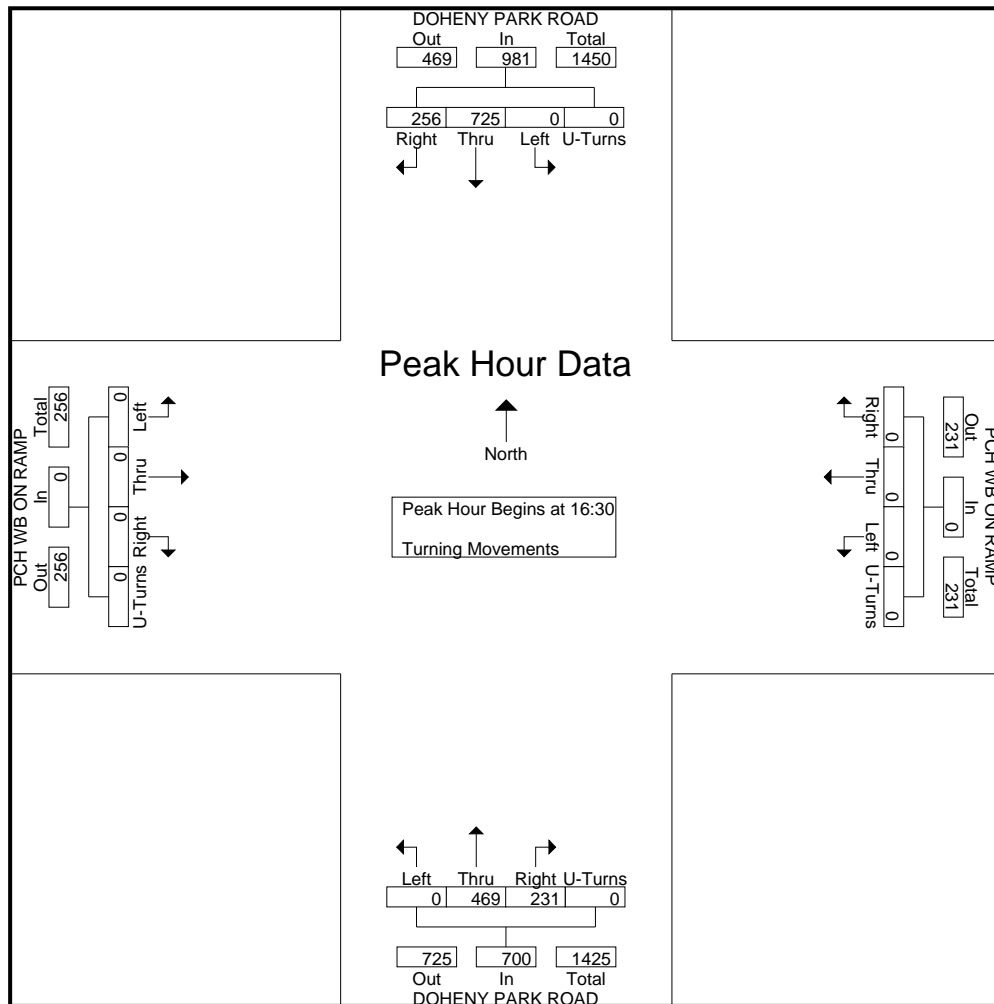
Start Time	DOHENY PARK ROAD Southbound					PCH WB ON RAMP Westbound					DOHENY PARK ROAD Northbound					PCH WB ON RAMP Eastbound					Int. Total
	Right	Thru	Left	U-Turns	App. Total	Right	Thru	Left	U-Turns	App. Total	Right	Thru	Left	U-Turns	App. Total	Right	Thru	Left	U-Turns	App. Total	
Peak Hour Analysis From 07:00 to 08:45 - Peak 1 of 1																					
Peak Hour for Entire Intersection Begins at 07:45																					
07:45	51	102	0	0	153	0	0	0	0	0	53	80	0	0	133	0	0	0	0	0	286
08:00	48	70	0	0	118	0	0	0	0	0	54	78	0	0	132	0	0	0	0	0	250
08:15	49	94	0	0	143	0	0	0	0	0	56										
<b>08:30</b>	<b>31</b>	<b>96</b>	<b>0</b>	<b>0</b>	<b>127</b>	<b>0</b>	<b>0</b>	<b>0</b>	<b>0</b>	<b>0</b>	<b>44</b>	<b>78</b>	<b>0</b>	<b>0</b>	<b>122</b>	<b>0</b>	<b>0</b>	<b>0</b>	<b>0</b>	<b>0</b>	<b>249</b>
Total Volume	179	362	0	0	541	0	0	0	0	0	207	307	0	0	514	0	0	0	0	0	1055
% App. Total	33.1	66.9	0	0		0	0	0	0		40.3	59.7	0	0		0	0	0	0		
PHF	.877	.887	.000	.000	.884	.000	.000	.000	.000	.000	.924	.959	.000	.000	.966	.000	.000	.000	.000	.000	.922



City: DANA POINT  
 N-S Direction: DOHENY PARK ROAD  
 E-W Direction: PCH WB ON RAMP

File Name : H2001013  
 Site Code : 0000000  
 Start Date : 1/15/2020  
 Page No : 3

Start Time	DOHENY PARK ROAD Southbound					PCH WB ON RAMP Westbound					DOHENY PARK ROAD Northbound					PCH WB ON RAMP Eastbound					Int. Total
	Right	Thru	Left	U-Turns	App. Total	Right	Thru	Left	U-Turns	App. Total	Right	Thru	Left	U-Turns	App. Total	Right	Thru	Left	U-Turns	App. Total	
Peak Hour Analysis From 16:00 to 17:45 - Peak 1 of 1																					
Peak Hour for Entire Intersection Begins at 16:30																					
16:30	58	183	0	0	241	0	0	0	0	0	52	108	0	0	160	0	0	0	0	0	401
16:45	67	196	0	0	263	0	0	0	0	0	53	105	0	0	158	0	0	0	0	0	421
17:00	57	176	0	0	233	0	0	0	0	0	65			192	0	0	0	0	0	0	425
17:15	74										129	0	0	190	0	0	0	0	0	0	434
Total Volume	256	725	0	0	981	0	0	0	0	0	231	469	0	0	700	0	0	0	0	0	1681
% App. Total	26.1	73.9	0	0		0	0	0	0	0	33	67	0	0		0	0	0	0	0	
PHF	.865	.925	.000	.000	.933	.000	.000	.000	.000	.000	.888	.909	.000	.000	.911	.000	.000	.000	.000	.000	.968



City: DANA POINT  
 N-S Direction: DOHENY PARK ROAD  
 E-W Direction: PCH WB ON RAMP

File Name : H2001013SAT  
 Site Code : 00000000  
 Start Date : 1/18/2020  
 Page No : 1

Groups Printed- Turning Movements

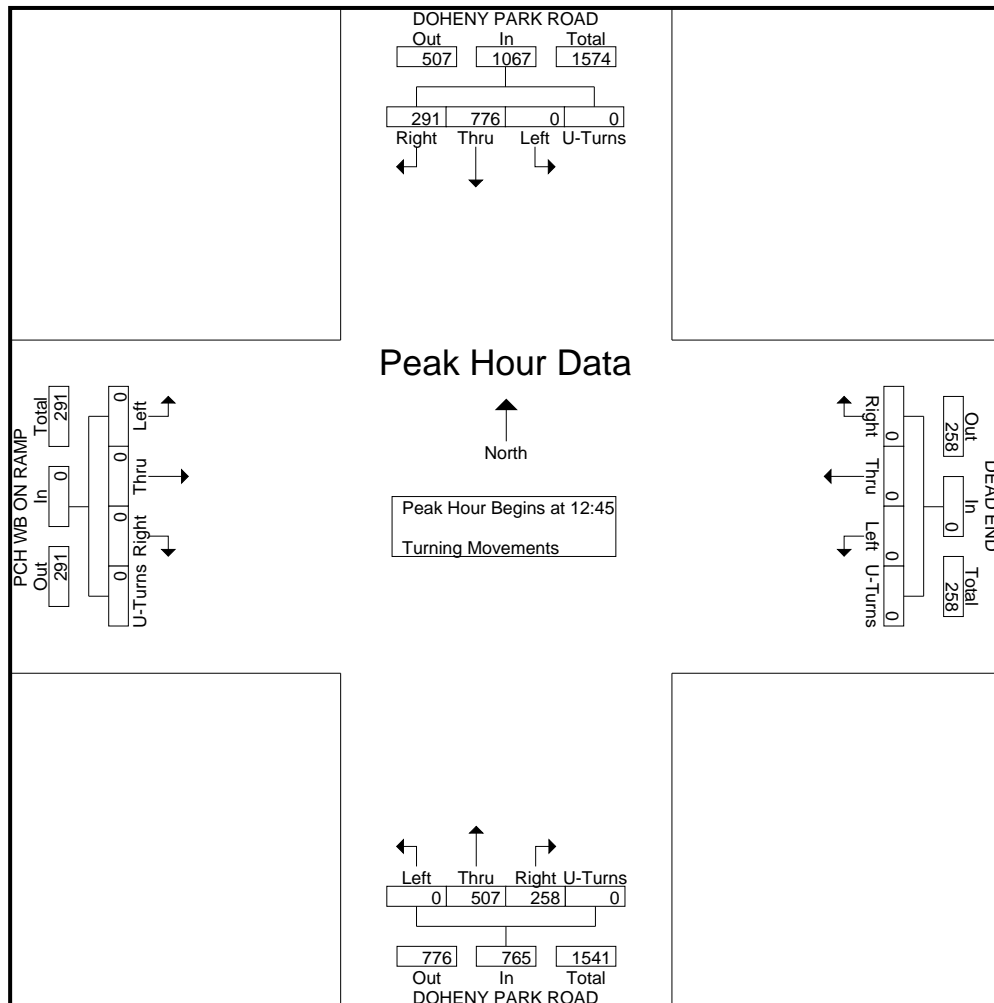
Start Time	DOHENY PARK ROAD Southbound				DEAD END Westbound				DOHENY PARK ROAD Northbound				PCH WB ON RAMP Eastbound				Int. Total	
	Right	Thru	Left	U-Turns	Right	Thru	Left	U-Turns	Right	Thru	Left	U-Turns	Right	Thru	Left	U-Turns		
10:00	56	131	0	0	0	0	0	0	48	112	0	0	0	0	0	0	0	347
10:15	55	133	0	0	0	0	0	0	63	114	0	0	0	0	0	0	0	365
10:30	67	135	0	0	0	0	0	0	64	112	0	0	0	0	0	0	0	378
10:45	72	149	0	0	0	0	0	0	61	115	0	0	0	0	0	0	0	397
Total	250	548	0	0	0	0	0	0	236	453	0	0	0	0	0	0	0	1487
11:00	65	140	0	0	0	0	0	0	84	127	0	0	0	0	0	0	0	416
11:15	72	154	0	0	0	0	0	0	90	127	0	0	0	0	0	0	0	443
11:30	72	147	0	0	0	0	0	0	74	133	0	0	0	0	0	0	0	426
11:45	80	166	0	0	0	0	0	0	81	120	0	0	0	0	0	0	0	447
Total	289	607	0	0	0	0	0	0	329	507	0	0	0	0	0	0	0	1732
12:00	81	186	0	0	0	0	0	0	54	122	0	0	0	0	0	0	0	443
12:15	68	166	0	0	0	0	0	0	73	121	0	0	0	0	0	0	0	428
12:30	66	167	0	0	0	0	0	0	67	120	0	0	0	0	0	0	0	420
12:45	73	190	0	0	0	0	0	0	55	119	0	0	0	0	0	0	0	437
Total	288	709	0	0	0	0	0	0	249	482	0	0	0	0	0	0	0	1728
13:00	72	172	0	0	0	0	0	0	81	144	0	0	0	0	0	0	0	469
13:15	66	199	0	0	0	0	0	0	58	114	0	0	0	0	0	0	0	437
13:30	80	215	0	0	0	0	0	0	64	130	0	0	0	0	0	0	0	489
13:45	61	171	0	0	0	0	0	0	65	119	0	0	0	0	0	0	0	416
Total	279	757	0	0	0	0	0	0	268	507	0	0	0	0	0	0	0	1811
Grand Total	1106	2621	0	0	0	0	0	0	1082	1949	0	0	0	0	0	0	0	6758
Apprch %	29.7	70.3	0	0	0	0	0	0	35.7	64.3	0	0	0	0	0	0	0	
Total %	16.4	38.8	0	0	0	0	0	0	16	28.8	0	0	0	0	0	0	0	



City: DANA POINT  
 N-S Direction: DOHENY PARK ROAD  
 E-W Direction: PCH WB ON RAMP

File Name : H2001013SAT  
 Site Code : 00000000  
 Start Date : 1/18/2020  
 Page No : 2

Start Time	DOHENY PARK ROAD Southbound					DEAD END Westbound					DOHENY PARK ROAD Northbound					PCH WB ON RAMP Eastbound					Int. Total
	Right	Thru	Left	U-Turns	App. Total	Right	Thru	Left	U-Turns	App. Total	Right	Thru	Left	U-Turns	App. Total	Right	Thru	Left	U-Turns	App. Total	
Peak Hour Analysis From 10:00 to 13:45 - Peak 1 of 1																					
Peak Hour for Entire Intersection Begins at 12:45																					
12:45	73	190	0	0	263	0	0	0	0	0	55	119	0	0	174	0	0	0	0	0	437
13:00	72	172	0	0	244	0	0	0	0	0	81	144	0	0	225	0	0	0	0	0	469
13:15	66	199	0	0	265	0	0	0	0	0	58	114	0	0	172	0	0	0	0	0	437
13:30	80	215	0	0	295	0	0	0	0	0	64	130	0	0	194	0	0	0	0	0	489
Total Volume	291	776	0	0	1067	0	0	0	0	0	258	507	0	0	765	0	0	0	0	0	1832
% App. Total	27.3	72.7	0	0		0	0	0	0		33.7	66.3	0	0		0	0	0	0		
PHF	.909	.902	.000	.000	.904	.000	.000	.000	.000	.000	.796	.880	.000	.000	.850	.000	.000	.000	.000	.000	.937



City: DANA POINT  
 N-S Direction: DOHENY PARK ROAD  
 E-W Direction: PCH EB ON RAMP

File Name : H2001014  
 Site Code : 00000000  
 Start Date : 1/15/2020  
 Page No : 1

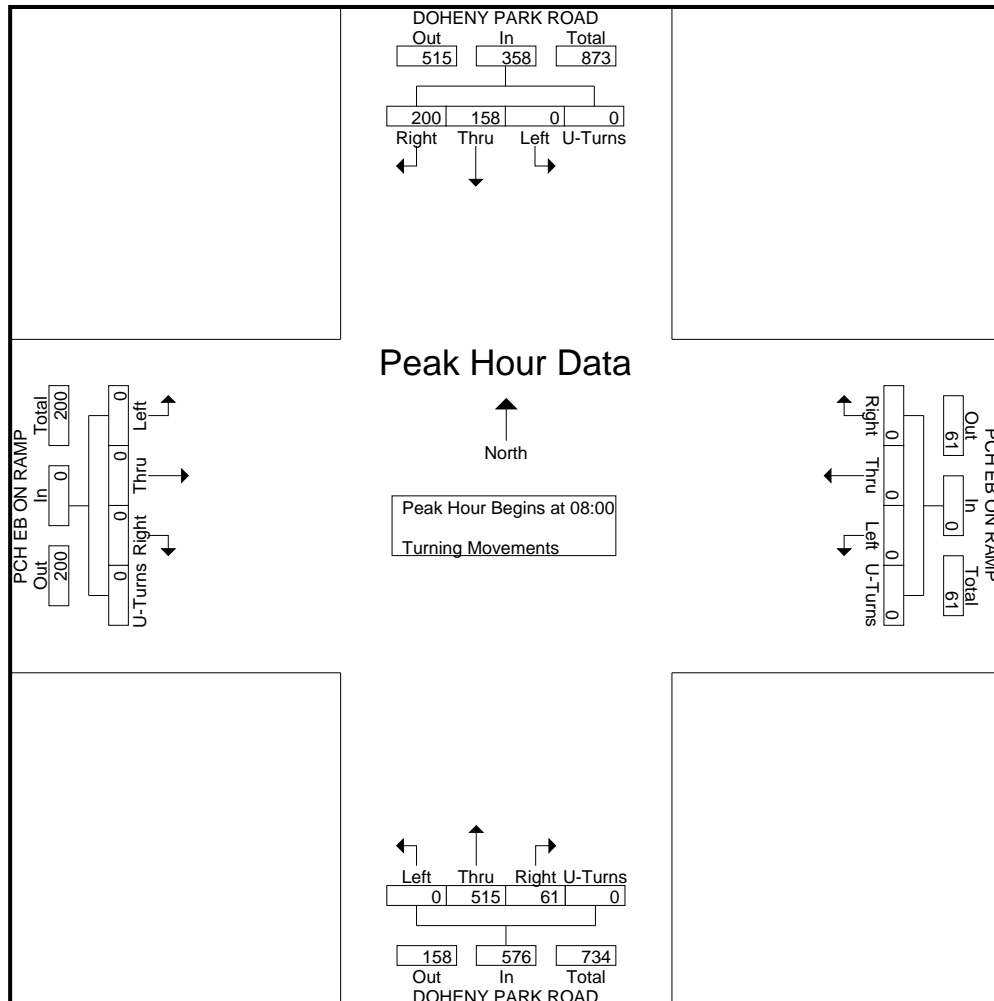
Groups Printed- Turning Movements

Start Time	DOHENY PARK ROAD Southbound				PCH EB ON RAMP Westbound				DOHENY PARK ROAD Northbound				PCH EB ON RAMP Eastbound				Int. Total	
	Right	Thru	Left	U-Turns	Right	Thru	Left	U-Turns	Right	Thru	Left	U-Turns	Right	Thru	Left	U-Turns		
07:00	44	26	0	0	0	0	0	0	8	87	0	0	0	0	0	0	0	165
07:15	52	40	0	0	0	0	0	0	10	88	0	0	0	0	0	0	0	190
07:30	48	31	0	0	0	0	0	0	7	111	0	0	0	0	0	0	0	197
07:45	63	36	0	0	0	0	0	0	3	137	0	0	0	0	0	0	0	239
Total	207	133	0	0	0	0	0	0	28	423	0	0	0	0	0	0	0	791
08:00	45	28	0	0	0	0	0	0	10	125	0	0	0	0	0	0	0	208
08:15	54	39	0	0	0	0	0	0	15	130	0	0	0	0	0	0	0	238
08:30	53	45	0	0	0	0	0	0	18	121	0	0	0	0	0	0	0	237
08:45	48	46	0	0	0	0	0	0	18	139	0	0	0	0	0	0	0	251
Total	200	158	0	0	0	0	0	0	61	515	0	0	0	0	0	0	0	934
16:00	106	73	0	0	0	0	0	0	15	185	0	0	0	0	0	0	0	379
16:15	81	73	0	0	0	0	0	0	19	158	0	0	0	0	0	0	0	331
16:30	103	81	0	0	0	0	0	0	11	150	0	0	0	0	0	0	0	345
16:45	115	78	0	0	0	0	0	0	9	160	0	0	0	0	0	0	0	362
Total	405	305	0	0	0	0	0	0	54	653	0	0	0	0	0	0	0	1417
17:00	102	75	0	0	0	0	0	0	11	192	0	0	0	0	0	0	0	380
17:15	104	67	0	0	0	0	0	0	23	190	0	0	0	0	0	0	0	384
17:30	93	50	0	0	0	0	0	0	25	140	0	0	0	0	0	0	0	308
17:45	112	44	0	0	0	0	0	0	13	114	0	0	0	0	0	0	0	283
Total	411	236	0	0	0	0	0	0	72	636	0	0	0	0	0	0	0	1355
Grand Total	1223	832	0	0	0	0	0	0	215	2227	0	0	0	0	0	0	0	4497
Apprch %	59.5	40.5	0	0	0	0	0	0	8.8	91.2	0	0	0	0	0	0	0	
Total %	27.2	18.5	0	0	0	0	0	0	4.8	49.5	0	0	0	0	0	0	0	

City: DANA POINT  
 N-S Direction: DOHENY PARK ROAD  
 E-W Direction: PCH EB ON RAMP

File Name : H2001014  
 Site Code : 0000000  
 Start Date : 1/15/2020  
 Page No : 2

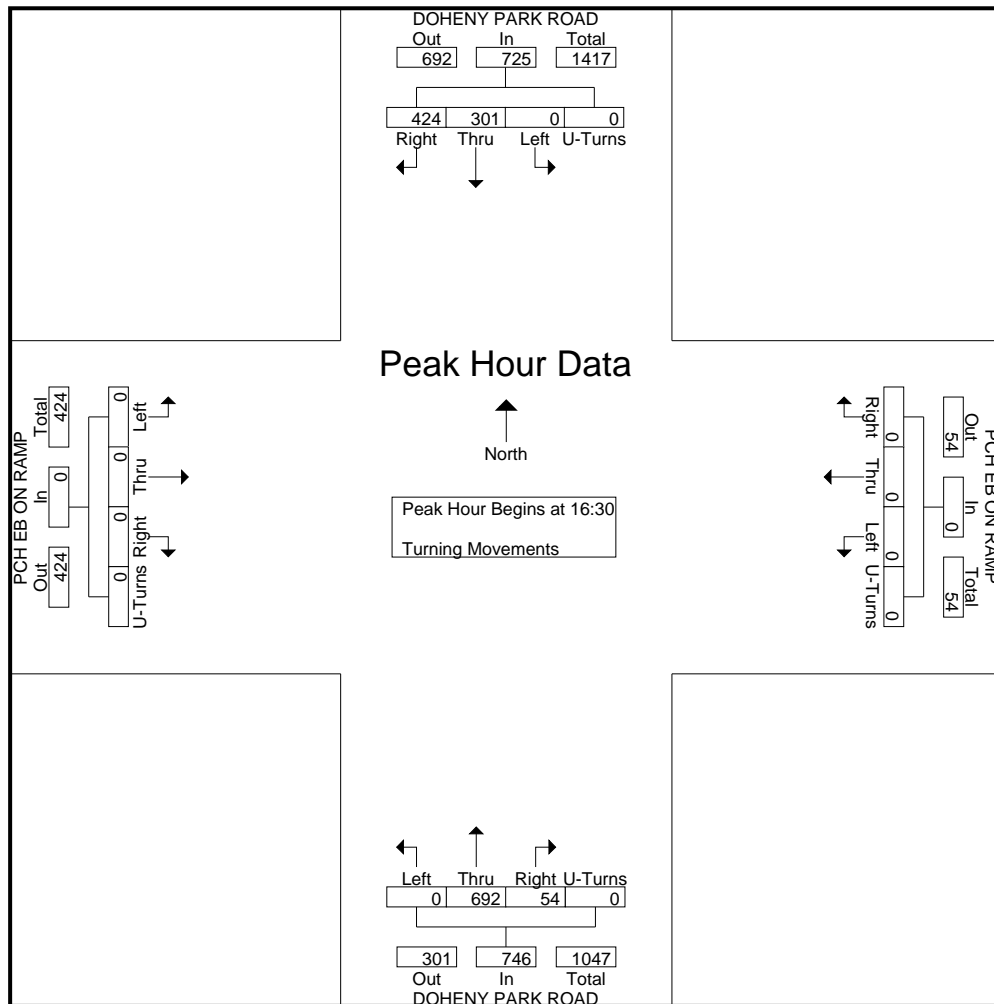
Start Time	DOHENY PARK ROAD Southbound					PCH EB ON RAMP Westbound					DOHENY PARK ROAD Northbound					PCH EB ON RAMP Eastbound					Int. Total
	Right	Thru	Left	U-Turns	App. Total	Right	Thru	Left	U-Turns	App. Total	Right	Thru	Left	U-Turns	App. Total	Right	Thru	Left	U-Turns	App. Total	
Peak Hour Analysis From 07:00 to 08:45 - Peak 1 of 1																					
Peak Hour for Entire Intersection Begins at 08:00																					
08:00	45	28	0	0	73	0	0	0	0	0	10	125	0	0	135	0	0	0	0	0	208
08:15	<b>54</b>																				
08:30	<b>53</b>	<b>45</b>	<b>0</b>	<b>0</b>	<b>98</b>	0	0	0	0	0	<b>18</b>	<b>121</b>	<b>0</b>	<b>0</b>	<b>139</b>	<b>0</b>	<b>0</b>	<b>0</b>	<b>0</b>	<b>0</b>	<b>237</b>
08:45	<b>48</b>	<b>46</b>	<b>0</b>	<b>0</b>	<b>94</b>	0	0	0	0	0	<b>18</b>	<b>139</b>	<b>0</b>	<b>0</b>	<b>157</b>	<b>0</b>	<b>0</b>	<b>0</b>	<b>0</b>	<b>0</b>	<b>251</b>
Total Volume	200	158	0	0	358	0	0	0	0	0	61	515	0	0	576	0	0	0	0	0	934
% App. Total	55.9	44.1	0	0		0	0	0	0		10.6	89.4	0	0		0	0	0	0		
PHF	.926	.859	.000	.000	.913	.000	.000	.000	.000	.000	.847	.926	.000	.000	.917	.000	.000	.000	.000	.000	.930



City: DANA POINT  
 N-S Direction: DOHENY PARK ROAD  
 E-W Direction: PCH EB ON RAMP

File Name : H2001014  
 Site Code : 0000000  
 Start Date : 1/15/2020  
 Page No : 3

Start Time	DOHENY PARK ROAD Southbound					PCH EB ON RAMP Westbound					DOHENY PARK ROAD Northbound					PCH EB ON RAMP Eastbound					Int. Total
	Right	Thru	Left	U-Turns	App. Total	Right	Thru	Left	U-Turns	App. Total	Right	Thru	Left	U-Turns	App. Total	Right	Thru	Left	U-Turns	App. Total	
Peak Hour Analysis From 16:00 to 17:45 - Peak 1 of 1																					
Peak Hour for Entire Intersection Begins at 16:30																					
16:30	103	81	0	0	184	0	0	0	0	0	11	150	0	0	161	0	0	0	0	0	345
16:45	115	115	0	0	193	0	0	0	0	0	9	160	0	0	169	0	0	0	0	0	362
17:00	102	75	0	0	177	0	0	0	0	0	11	192	0	0	203	0	0	0	0	0	380
17:15	104	67	0	0	171	0	0	0	0	0	23			213	0	0	0	0	0	0	384
Total Volume	424	301	0	0	725	0	0	0	0	0	54	692	0	0	746	0	0	0	0	0	1471
% App. Total	58.5	41.5	0	0		0	0	0	0	0	7.2	92.8	0	0		0	0	0	0	0	
PHF	.922	.929	.000	.000	.939	.000	.000	.000	.000	.000	.587	.901	.000	.000	.876	.000	.000	.000	.000	.000	.958



City: DANA POINT  
 N-S Direction: DOHENY PARK ROAD  
 E-W Direction: PCH EB ON RAMPS

File Name : H2001014SAT  
 Site Code : 00000000  
 Start Date : 1/18/2020  
 Page No : 1

Groups Printed- Turning Movements

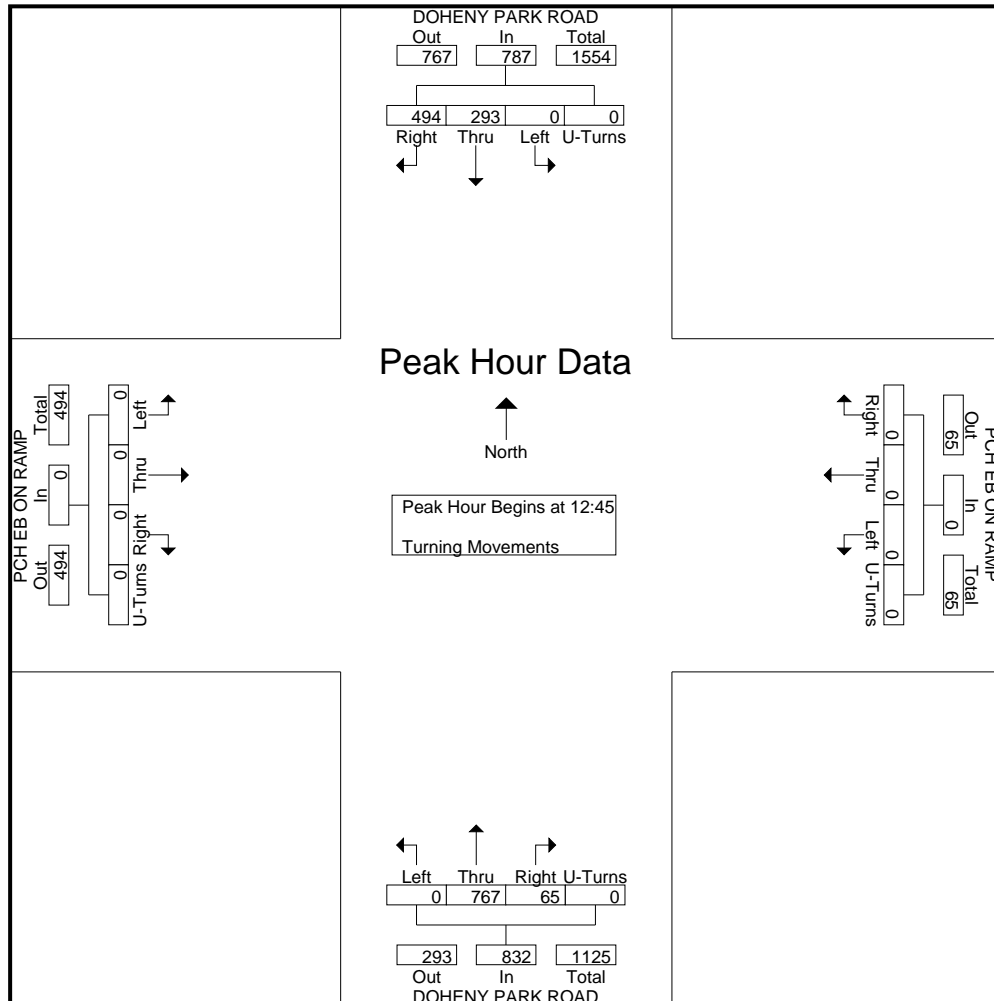
Start Time	DOHENY PARK ROAD Southbound				PCH EB ON RAMP Westbound				DOHENY PARK ROAD Northbound				PCH EB ON RAMP Eastbound				Int. Total
	Right	Thru	Left	U-Turns	Right	Thru	Left	U-Turns	Right	Thru	Left	U-Turns	Right	Thru	Left	U-Turns	
10:00	89	42	0	0	0	0	0	0	15	154	0	0	0	0	0	0	300
10:15	80	50	0	0	0	0	0	0	11	170	0	0	0	0	0	0	311
10:30	79	63	0	0	0	0	0	0	13	182	0	0	0	0	0	0	337
10:45	94	49	0	0	0	0	0	0	16	178	0	0	0	0	0	0	337
Total	342	204	0	0	0	0	0	0	55	684	0	0	0	0	0	0	1285
11:00	92	46	0	0	0	0	0	0	26	209	0	0	0	0	0	0	373
11:15	96	58	0	0	0	0	0	0	11	225	0	0	0	0	0	0	390
11:30	83	63	0	0	0	0	0	0	15	205	0	0	0	0	0	0	366
11:45	92	69	0	0	0	0	0	0	19	200	0	0	0	0	0	0	380
Total	363	236	0	0	0	0	0	0	71	839	0	0	0	0	0	0	1509
12:00	120	69	0	0	0	0	0	0	11	175	0	0	0	0	0	0	375
12:15	92	75	0	0	0	0	0	0	14	193	0	0	0	0	0	0	374
12:30	98	55	0	0	0	0	0	0	27	190	0	0	0	0	0	0	370
12:45	135	65	0	0	0	0	0	0	15	177	0	0	0	0	0	0	392
Total	445	264	0	0	0	0	0	0	67	735	0	0	0	0	0	0	1511
13:00	99	69	0	0	0	0	0	0	13	228	0	0	0	0	0	0	409
13:15	134	71	0	0	0	0	0	0	18	178	0	0	0	0	0	0	401
13:30	126	88	0	0	0	0	0	0	19	184	0	0	0	0	0	0	417
13:45	101	70	0	0	0	0	0	0	21	182	0	0	0	0	0	0	374
Total	460	298	0	0	0	0	0	0	71	772	0	0	0	0	0	0	1601
Grand Total	1610	1002	0	0	0	0	0	0	264	3030	0	0	0	0	0	0	5906
Apprch %	61.6	38.4	0	0	0	0	0	0	8	92	0	0	0	0	0	0	
Total %	27.3	17	0	0	0	0	0	0	4.5	51.3	0	0	0	0	0	0	

City: DANA POINT  
 N-S Direction: DOHENY PARK ROAD  
 E-W Direction: PCH EB ON RAMPS

File Name : H2001014SAT  
 Site Code : 00000000  
 Start Date : 1/18/2020  
 Page No : 2

Start Time	DOHENY PARK ROAD Southbound					PCH EB ON RAMP Westbound					DOHENY PARK ROAD Northbound					PCH EB ON RAMP Eastbound					Int. Total
	Right	Thru	Left	U-Turns	App. Total	Right	Thru	Left	U-Turns	App. Total	Right	Thru	Left	U-Turns	App. Total	Right	Thru	Left	U-Turns	App. Total	
12:45	<b>135</b>																				
13:00	99	69	0	0	168	0	0	0	0	0	13	228	0	0	241	0	0	0	0	0	409
13:15	134	71	0	0	205	0	0	0	0	0	18	178	0	0	196	0	0	0	0	0	401
13:30	126	88	0	0	214	0	0	0	0	0	19										417
Total Volume	494	293	0	0	787	0	0	0	0	0	65	767	0	0	832	0	0	0	0	0	1619
% App. Total	62.8	37.2	0	0		0	0	0	0		7.8	92.2	0	0		0	0	0	0		
PHF	.915	.832	.000	.000	.919	.000	.000	.000	.000	.000	.855	.841	.000	.000	.863	.000	.000	.000	.000	.000	.971

Peak Hour Analysis From 10:00 to 13:45 - Peak 1 of 1  
 Peak Hour for Entire Intersection Begins at 12:45



City: DANA POINT  
 N-S Direction: DOHENY PARK ROAD  
 E-W Direction: PACIFIC COAST HIGHWAY

File Name : H1912012  
 Site Code : 00000000  
 Start Date : 12/5/2019  
 Page No : 1

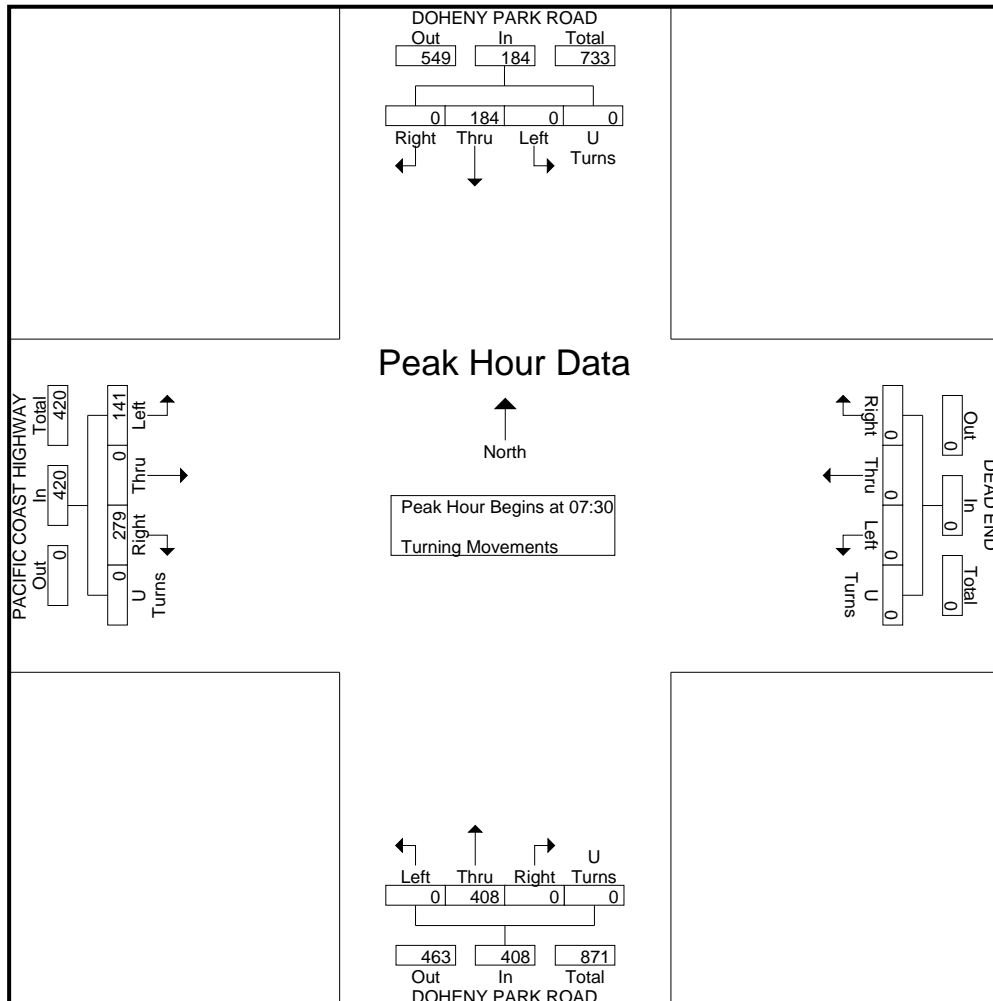
Groups Printed- Turning Movements

Start Time	DOHENY PARK ROAD Southbound				DEAD END Westbound				DOHENY PARK ROAD Northbound				PACIFIC COAST HIGHWAY Eastbound				Int. Total
	Right	Thru	Left	U Turns	Right	Thru	Left	U Turns	Right	Thru	Left	U Turns	Right	Thru	Left	U Turns	
07:00	0	24	0	0	0	0	0	0	0	73	0	0	35	0	18	0	150
07:15	0	32	0	0	0	0	0	0	0	97	0	0	46	0	26	0	201
07:30	0	47	0	0	0	0	0	0	0	98	0	0	59	0	30	0	234
07:45	0	42	0	0	0	0	0	0	0	100	0	0	72	0	39	0	253
Total	0	145	0	0	0	0	0	0	0	368	0	0	212	0	113	0	838
08:00	0	40	0	0	0	0	0	0	0	110	0	0	75	0	34	0	259
08:15	0	55	0	0	0	0	0	0	0	100	0	0	73	0	38	0	266
08:30	0	31	0	0	0	0	0	0	0	102	0	0	45	0	38	0	216
08:45	0	44	0	0	0	0	0	0	0	105	0	0	49	0	37	0	235
Total	0	170	0	0	0	0	0	0	0	417	0	0	242	0	147	0	976
16:00	0	67	0	0	0	0	0	0	0	110	0	0	76	0	57	0	310
16:15	0	74	0	1	0	0	0	0	0	118	0	0	75	0	58	0	326
16:30	0	68	0	0	0	0	0	0	0	120	0	0	82	0	57	0	327
16:45	0	65	0	0	0	0	0	0	0	123	0	0	69	0	60	0	317
Total	0	274	0	1	0	0	0	0	0	471	0	0	302	0	232	0	1280
17:00	0	62	0	0	0	0	0	0	0	125	0	0	78	0	40	0	305
17:15	0	63	0	0	0	0	0	0	0	115	0	0	73	0	57	0	308
17:30	0	57	0	0	0	0	0	0	0	112	0	0	61	0	39	0	269
17:45	0	52	0	0	0	0	0	0	0	73	0	0	45	0	39	0	209
Total	0	234	0	0	0	0	0	0	0	425	0	0	257	0	175	0	1091
Grand Total	0	823	0	1	0	0	0	0	0	1681	0	0	1013	0	667	0	4185
Apprch %	0	99.9	0	0.1	0	0	0	0	0	100	0	0	60.3	0	39.7	0	
Total %	0	19.7	0	0	0	0	0	0	0	40.2	0	0	24.2	0	15.9	0	

City: DANA POINT  
 N-S Direction: DOHENY PARK ROAD  
 E-W Direction: PACIFIC COAST HIGHWAY

File Name : H1912012  
 Site Code : 00000000  
 Start Date : 12/5/2019  
 Page No : 2

Start Time	DOHENY PARK ROAD Southbound					DEAD END Westbound					DOHENY PARK ROAD Northbound					PACIFIC COAST HIGHWAY Eastbound					Int. Total
	Right	Thru	Left	U Turns	App. Total	Right	Thru	Left	U Turns	App. Total	Right	Thru	Left	U Turns	App. Total	Right	Thru	Left	U Turns	App. Total	
Peak Hour Analysis From 07:00 to 08:45 - Peak 1 of 1																					
Peak Hour for Entire Intersection Begins at 07:30																					
07:30	0	47	0	0	47	0	0	0	0	0	0	98	0	0	98	59	0	30	0	89	234
07:45	0	42	0	0	42	0	0	0	0	0	0	100	0	0	100	72	0	39	0	111	253
08:00	0	40	0	0	40	0	0	0	0	0	0	110	0	0	110	75	0	0	0	0	0
<b>08:15</b>	<b>0</b>	<b>55</b>	<b>0</b>	<b>0</b>	<b>55</b>	<b>0</b>	<b>0</b>	<b>0</b>	<b>0</b>	<b>0</b>	<b>0</b>	<b>100</b>	<b>0</b>	<b>0</b>	<b>100</b>	<b>73</b>	<b>0</b>	<b>38</b>	<b>0</b>	<b>111</b>	<b>266</b>
Total Volume	0	184	0	0	184	0	0	0	0	0	0	408	0	0	408	279	0	141	0	420	1012
% App. Total	0	100	0	0	0	0	0	0	0	0	0	100	0	0	0	66.4	0	33.6	0	0	0
PHF	.000	.836	.000	.000	.836	.000	.000	.000	.000	.000	.000	.927	.000	.000	.927	.930	.000	.904	.000	.946	.951

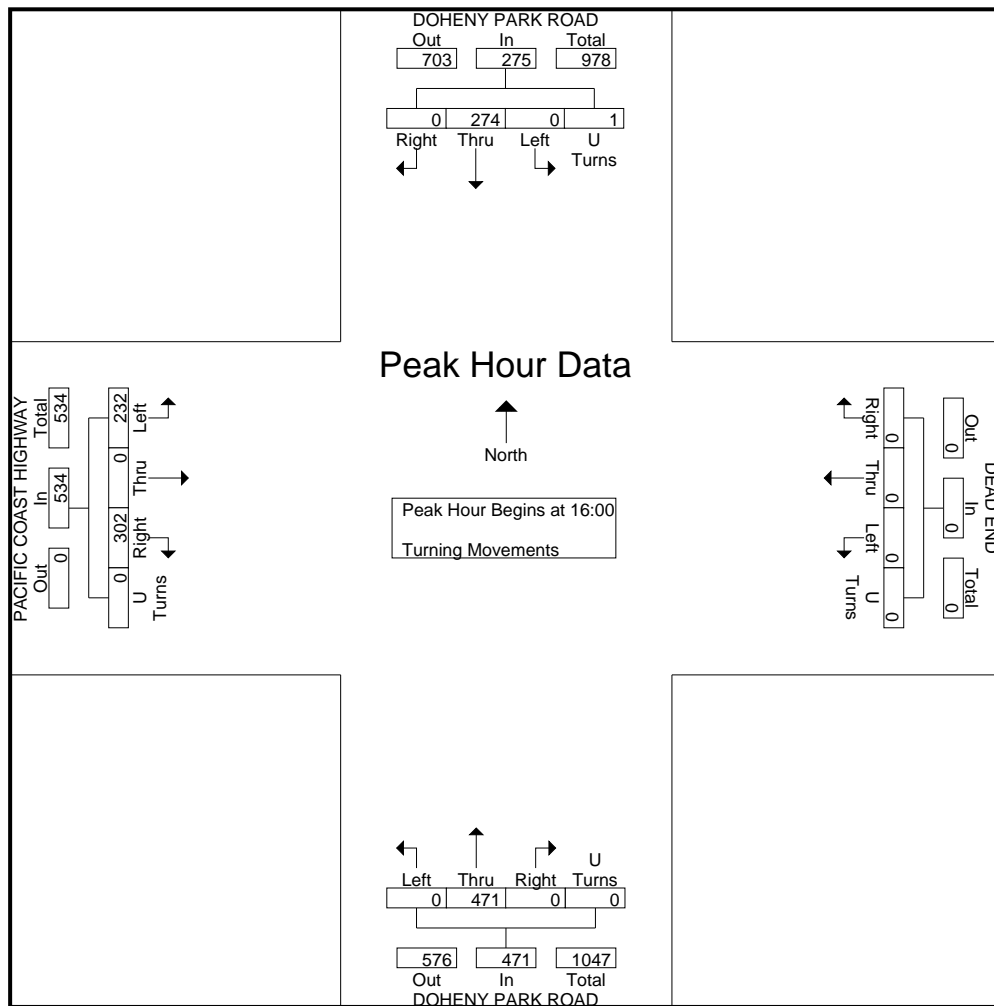




City: DANA POINT  
 N-S Direction: DOHENY PARK ROAD  
 E-W Direction: PACIFIC COAST HIGHWAY

File Name : H1912012  
 Site Code : 0000000  
 Start Date : 12/5/2019  
 Page No : 3

Start Time	DOHENY PARK ROAD Southbound					DEAD END Westbound					DOHENY PARK ROAD Northbound					PACIFIC COAST HIGHWAY Eastbound					Int. Total
	Right	Thru	Left	U Turns	App. Total	Right	Thru	Left	U Turns	App. Total	Right	Thru	Left	U Turns	App. Total	Right	Thru	Left	U Turns	App. Total	
Peak Hour Analysis From 16:00 to 17:45 - Peak 1 of 1																					
Peak Hour for Entire Intersection Begins at 16:00																					
16:00	0	67	0	0	67	0	0	0	0	0	0	110	0	0	110	76	0	57	0	133	310
16:15	0	74	0	1	75	0	0	0	0	0	0	118	0	0	118	75	0	58	0	133	326
16:30	0	68	0	0	68	0	0	0	0	0	0	120	0	0	120	82				139	327
16:45	0	65	0	0	65	0	0	0	0	0	0	123	0	0	123	69	0	60			
Total Volume	0	274	0	1	275	0	0	0	0	0	0	471	0	0	471	302	0	232	0	534	1280
% App. Total	0	99.6	0	0.4		0	0	0	0	0	0	100	0	0		56.6	0	43.4	0		
PHF	.000	.926	.000	.250	.917	.000	.000	.000	.000	.000	.000	.957	.000	.000	.957	.921	.000	.967	.000	.960	.979



City: DANA POINT  
 N-S Direction: DOHENY PARK ROAD  
 E-W Direction: PACIFIC COAST HIGHWAY

File Name : H1912023  
 Site Code : 00000000  
 Start Date : 12/7/2019  
 Page No : 1

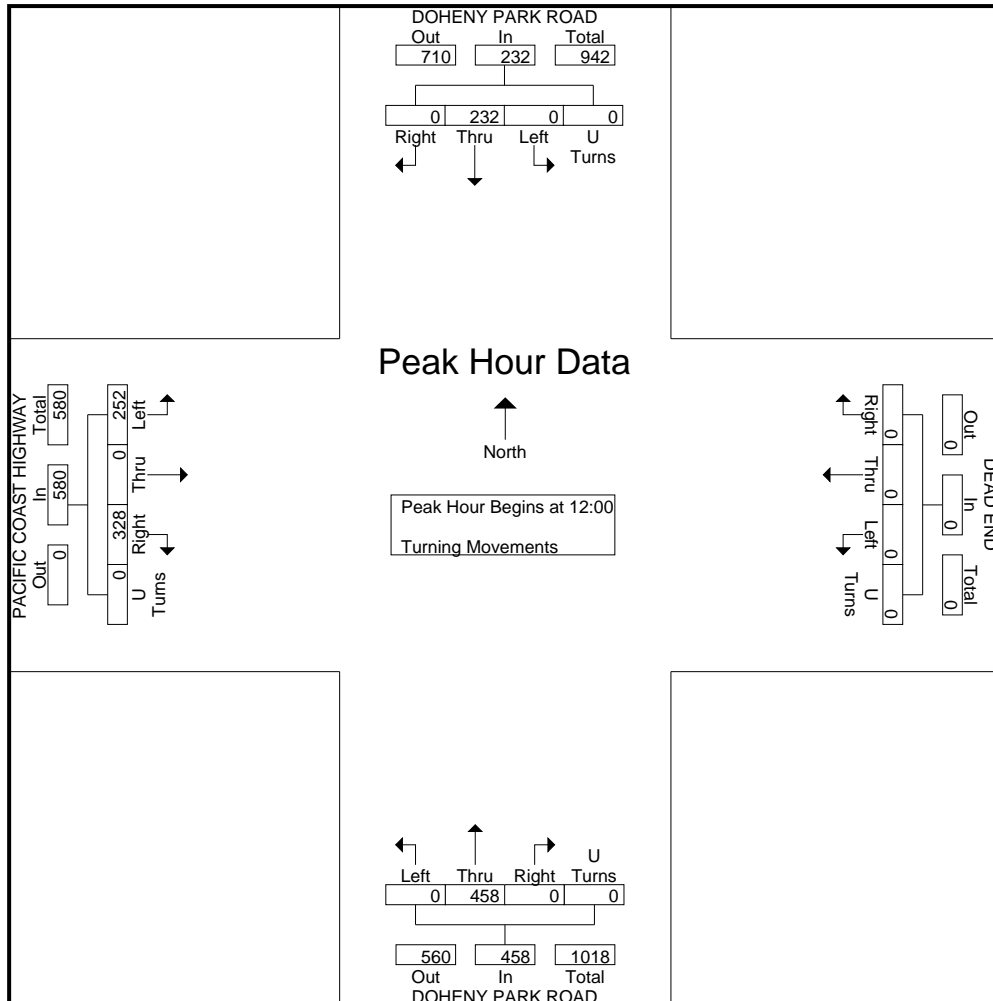
Groups Printed- Turning Movements

Start Time	DOHENY PARK ROAD Southbound				DEAD END Westbound				DOHENY PARK ROAD Northbound				PACIFIC COAST HIGHWAY Eastbound				Int. Total
	Right	Thru	Left	U Turns	Right	Thru	Left	U Turns	Right	Thru	Left	U Turns	Right	Thru	Left	U Turns	
10:00	0	43	0	0	0	0	0	0	0	109	0	0	54	0	44	0	250
10:15	0	55	0	0	0	0	0	0	0	101	0	0	83	0	52	0	291
10:30	0	45	0	0	0	0	0	0	0	92	0	0	78	0	49	0	264
10:45	0	65	0	0	0	0	0	0	0	135	0	0	70	0	59	0	329
Total	0	208	0	0	0	0	0	0	0	437	0	0	285	0	204	0	1134
11:00	0	52	0	0	0	0	0	0	0	119	0	0	74	0	45	0	290
11:15	0	63	0	0	0	0	0	0	0	107	0	0	71	0	53	0	294
11:30	0	58	0	0	0	0	0	0	0	130	0	0	82	0	55	0	325
11:45	0	69	0	0	0	0	0	0	0	101	0	0	72	0	47	0	289
Total	0	242	0	0	0	0	0	0	0	457	0	0	299	0	200	0	1198
12:00	0	51	0	0	0	0	0	0	0	100	0	0	94	0	75	0	320
12:15	0	45	0	0	0	0	0	0	0	137	0	0	71	0	67	0	320
12:30	0	64	0	0	0	0	0	0	0	103	0	0	83	0	55	0	305
12:45	0	72	0	0	0	0	0	0	0	118	0	0	80	0	55	0	325
Total	0	232	0	0	0	0	0	0	0	458	0	0	328	0	252	0	1270
13:00	0	44	0	0	0	0	0	0	0	127	0	0	84	0	54	0	309
13:15	0	64	0	0	0	0	0	0	0	123	0	0	75	0	48	0	310
13:30	0	66	0	0	0	0	0	0	0	111	0	0	81	0	52	0	310
13:45	0	67	0	0	0	0	0	0	0	105	0	0	96	0	58	0	326
Total	0	241	0	0	0	0	0	0	0	466	0	0	336	0	212	0	1255
Grand Total	0	923	0	0	0	0	0	0	0	1818	0	0	1248	0	868	0	4857
Apprch %	0	100	0	0	0	0	0	0	0	100	0	0	59	0	41	0	
Total %	0	19	0	0	0	0	0	0	0	37.4	0	0	25.7	0	17.9	0	

City: DANA POINT  
 N-S Direction: DOHENY PARK ROAD  
 E-W Direction: PACIFIC COAST HIGHWAY

File Name : H1912023  
 Site Code : 00000000  
 Start Date : 12/7/2019  
 Page No : 2

Start Time	DOHENY PARK ROAD Southbound					DEAD END Westbound					DOHENY PARK ROAD Northbound					PACIFIC COAST HIGHWAY Eastbound					Int. Total
	Right	Thru	Left	U Turns	App. Total	Right	Thru	Left	U Turns	App. Total	Right	Thru	Left	U Turns	App. Total	Right	Thru	Left	U Turns	App. Total	
Peak Hour Analysis From 10:00 to 13:45 - Peak 1 of 1																					
Peak Hour for Entire Intersection Begins at 12:00																					
12:00	0	51	0	0	51	0	0	0	0	0	0	100	0	0	100	94	75	169		320	
12:15	0	45	0	0	45	0	0	0	0	0	0	137	0	0	137	71	0	67	0	138	320
12:30	0	64	0	0	64	0	0	0	0	0	0	103	0	0	103	83	0	55	0	138	305
12:45	0	72	0	0	72	0	0	0	0	0	0	118	0	0	118	80	0	55	0	135	325
Total Volume	0	232	0	0	232	0	0	0	0	0	0	458	0	0	458	328	0	252	0	580	1270
% App. Total	0	100	0	0		0	0	0	0		0	100	0	0		56.6	0	43.4	0		
PHF	.000	.806	.000	.000	.806	.000	.000	.000	.000	.000	.000	.836	.000	.000	.836	.872	.000	.840	.000	.858	.977



City: DANA POINT  
 N-S Direction: CAMINO CAPISTRANO  
 E-W Direction: SEPULVEDA AVENUE

File Name : H2001015  
 Site Code : 00000000  
 Start Date : 1/15/2020  
 Page No : 1

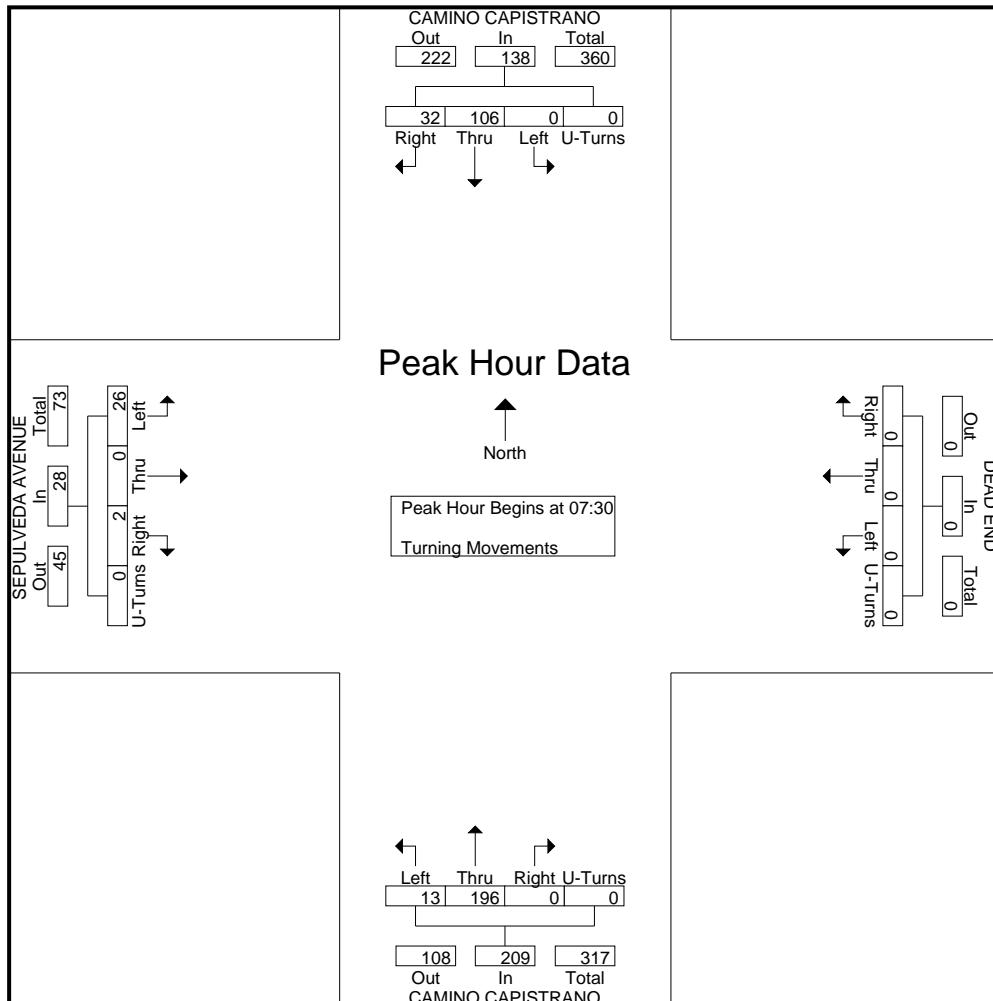
Groups Printed- Turning Movements

Start Time	CAMINO CAPISTRANO Southbound				DEAD END Westbound				CAMINO CAPISTRANO Northbound				SEPULVEDA AVENUE Eastbound				Int. Total
	Right	Thru	Left	U-Turns	Right	Thru	Left	U-Turns	Right	Thru	Left	U-Turns	Right	Thru	Left	U-Turns	
07:00	13	21	0	0	0	0	0	0	0	25	2	0	1	0	9	0	71
07:15	9	23	0	0	0	0	0	0	0	34	3	0	1	0	13	0	83
07:30	8	29	0	0	0	0	0	0	0	49	7	0	0	0	5	0	98
07:45	11	23	0	0	0	0	0	0	0	58	2	0	0	0	5	0	99
Total	41	96	0	0	0	0	0	0	0	166	14	0	2	0	32	0	351
08:00	5	28	0	0	0	0	0	0	0	48	3	0	2	0	7	0	93
08:15	8	26	0	0	0	0	0	0	0	41	1	0	0	0	9	0	85
08:30	7	34	0	0	0	0	0	0	0	37	1	0	3	0	12	0	94
08:45	6	28	0	0	0	0	0	0	0	35	1	0	2	0	7	0	79
Total	26	116	0	0	0	0	0	0	0	161	6	0	7	0	35	0	351
16:00	5	57	0	0	0	0	0	0	0	31	5	0	2	0	9	0	109
16:15	12	33	0	1	0	0	0	0	0	22	3	1	4	0	3	0	79
16:30	10	44	0	0	0	0	0	0	0	26	3	0	0	0	2	0	85
16:45	9	42	0	0	0	0	0	0	0	24	2	0	2	0	6	0	85
Total	36	176	0	1	0	0	0	0	0	103	13	1	8	0	20	0	358
17:00	14	56	0	2	0	0	0	0	0	36	4	0	3	0	5	0	120
17:15	16	37	0	0	0	0	0	0	0	27	1	1	1	0	9	0	92
17:30	11	39	0	0	0	0	0	0	0	33	2	0	2	0	8	0	95
17:45	12	32	0	0	0	0	0	0	0	25	4	1	4	0	6	0	84
Total	53	164	0	2	0	0	0	0	0	121	11	2	10	0	28	0	391
Grand Total	156	552	0	3	0	0	0	0	0	551	44	3	27	0	115	0	1451
Apprch %	21.9	77.6	0	0.4	0	0	0	0	0	92.1	7.4	0.5	19	0	81	0	
Total %	10.8	38	0	0.2	0	0	0	0	0	38	3	0.2	1.9	0	7.9	0	

City: DANA POINT  
 N-S Direction: CAMINO CAPISTRANO  
 E-W Direction: SEPULVEDA AVENUE

File Name : H2001015  
 Site Code : 0000000  
 Start Date : 1/15/2020  
 Page No : 2

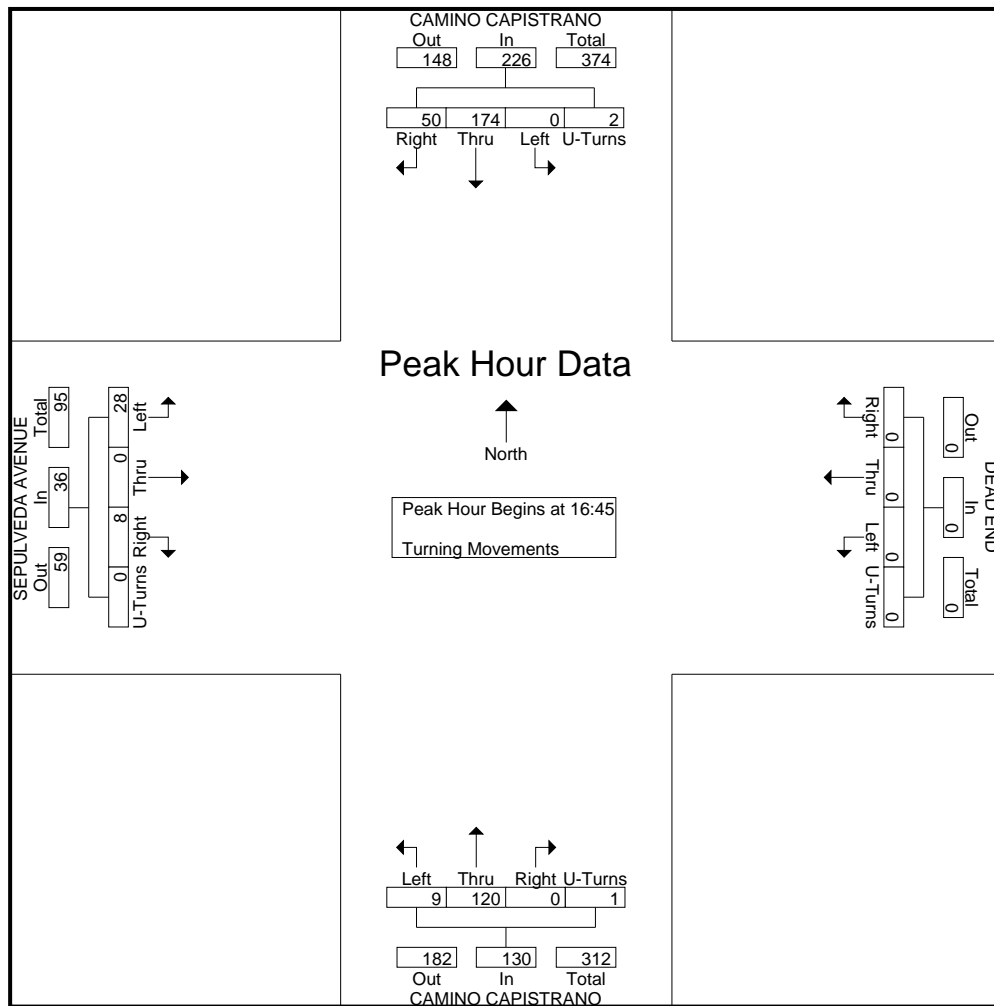
Start Time	CAMINO CAPISTRANO Southbound					DEAD END Westbound					CAMINO CAPISTRANO Northbound					SEPULVEDA AVENUE Eastbound					Int. Total
	Right	Thru	Left	U-Turns	App. Total	Right	Thru	Left	U-Turns	App. Total	Right	Thru	Left	U-Turns	App. Total	Right	Thru	Left	U-Turns	App. Total	
Peak Hour Analysis From 07:00 to 08:45 - Peak 1 of 1																					
Peak Hour for Entire Intersection Begins at 07:30																					
07:30	8	29	0	0	37	0	0	0	0	0	0	49	7	0	0	0	5	0	5	99	
07:45	11	23	0	0	34	0	0	0	0	0	0	58	2	0	60	2	0	5	0	9	
08:00	5	28	0	0	33	0	0	0	0	0	0	48	3	0	51	2	0	0	0	93	
08:15	8	26	0	0	34	0	0	0	0	0	0	41	1	0	42	0	0	9	0		
Total Volume	32	106	0	0	138	0	0	0	0	0	0	196	13	0	209	2	0	26	0	28	
% App. Total	23.2	76.8	0	0		0	0	0	0		0	93.8	6.2	0		7.1	0	92.9	0		
PHF	.727	.914	.000	.000	.932	.000	.000	.000	.000	.000	.000	.845	.464	.000	.871	.250	.000	.722	.000	.778	



City: DANA POINT  
 N-S Direction: CAMINO CAPISTRANO  
 E-W Direction: SEPULVEDA AVENUE

File Name : H2001015  
 Site Code : 0000000  
 Start Date : 1/15/2020  
 Page No : 3

Start Time	CAMINO CAPISTRANO Southbound					DEAD END Westbound					CAMINO CAPISTRANO Northbound					SEPULVEDA AVENUE Eastbound					Int. Total
	Right	Thru	Left	U-Turns	App. Total	Right	Thru	Left	U-Turns	App. Total	Right	Thru	Left	U-Turns	App. Total	Right	Thru	Left	U-Turns	App. Total	
Peak Hour Analysis From 16:00 to 17:45 - Peak 1 of 1																					
Peak Hour for Entire Intersection Begins at 16:45																					
16:45	9	42	0	0	51	0	0	0	0	0	0	24	2	0	26	2	0	6	0	8	85
17:00	14	56	0	2	72	0	0	0	0	0	0	36	4	0	40	3	0	0	0	0	120
17:15	16													1				9		10	92
17:30	11	39	0	0	50	0	0	0	0	0	0	33	2	0	35	2	0	8	0	10	95
Total Volume	50	174	0	2	226	0	0	0	0	0	0	120	9	1	130	8	0	28	0	36	392
% App. Total	22.1	77	0	0.9		0	0	0	0	0	0	92.3	6.9	0.8		22.2	0	77.8	0		
PHF	.781	.777	.000	.250	.785	.000	.000	.000	.000	.000	.000	.833	.563	.250	.813	.667	.000	.778	.000	.900	.817



City: DANA POINT  
 N-S Direction: CAMINO CAPISTRANO  
 E-W Direction: SEPULVEDA AVENUE

File Name : H2001015SAT  
 Site Code : 00000000  
 Start Date : 1/18/2020  
 Page No : 1

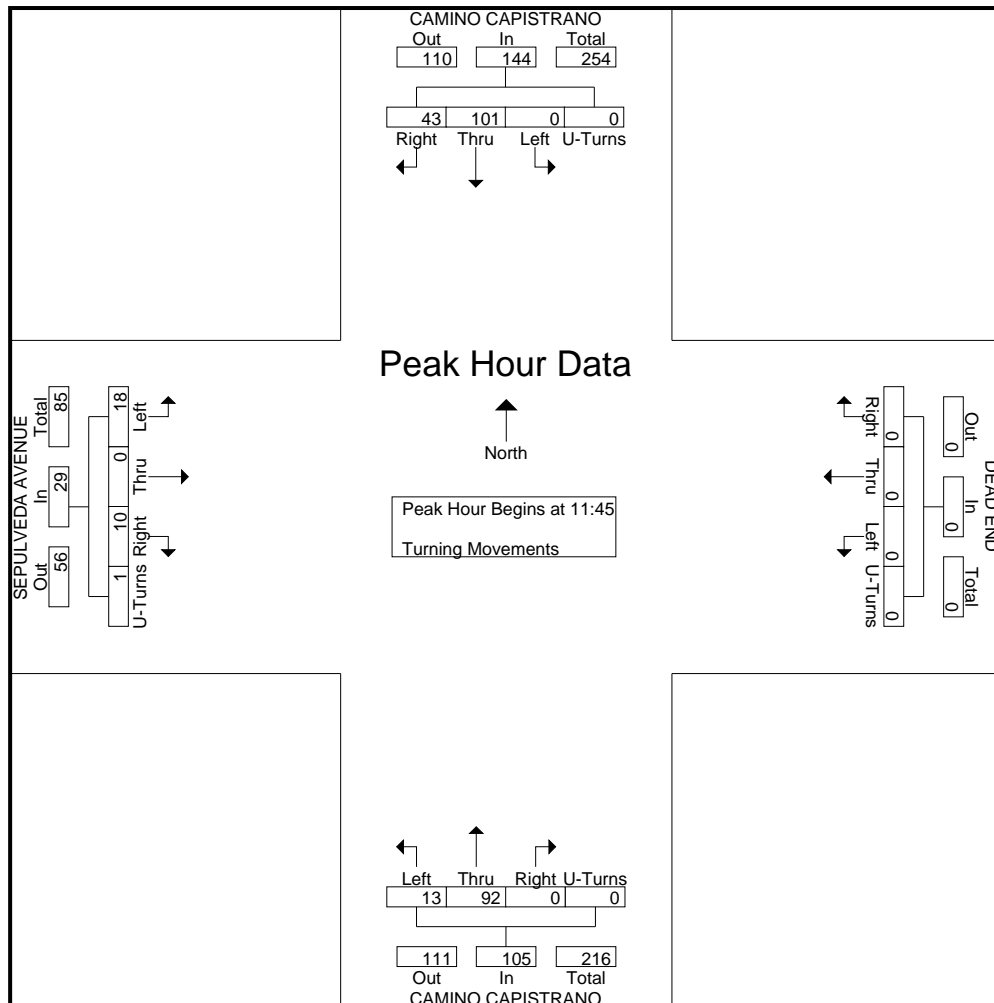
Groups Printed- Turning Movements

Start Time	CAMINO CAPISTRANO Southbound				DEAD END Westbound				CAMINO CAPISTRANO Northbound				SEPULVEDA AVENUE Eastbound				Int. Total
	Right	Thru	Left	U-Turns	Right	Thru	Left	U-Turns	Right	Thru	Left	U-Turns	Right	Thru	Left	U-Turns	
10:00	9	19	0	0	0	0	0	0	0	21	0	1	1	0	2	0	53
10:15	7	34	0	0	0	0	0	0	0	24	1	0	0	0	5	0	71
10:30	10	23	0	0	0	0	0	0	0	26	4	0	3	0	0	0	66
10:45	6	24	0	0	0	0	0	0	0	25	4	0	2	0	2	1	64
Total	32	100	0	0	0	0	0	0	0	96	9	1	6	0	9	1	254
11:00	7	28	0	0	0	0	0	0	0	18	2	0	3	0	2	0	60
11:15	6	21	0	0	0	0	0	0	0	26	2	0	1	0	2	0	58
11:30	7	17	0	0	0	0	0	0	0	26	1	0	0	0	2	0	53
11:45	10	20	0	0	0	0	0	0	0	22	4	0	2	0	6	0	64
Total	30	86	0	0	0	0	0	0	0	92	9	0	6	0	12	0	235
12:00	10	26	0	0	0	0	0	0	0	17	4	0	2	0	2	0	61
12:15	6	33	0	0	0	0	0	0	0	26	3	0	4	0	5	0	77
12:30	17	22	0	0	0	0	0	0	0	27	2	0	2	0	5	1	76
12:45	7	20	0	0	0	0	0	0	0	25	2	0	2	0	4	0	60
Total	40	101	0	0	0	0	0	0	0	95	11	0	10	0	16	1	274
13:00	2	28	0	0	0	0	0	0	0	19	2	0	4	0	3	0	58
13:15	7	25	0	0	0	0	0	0	0	24	3	0	0	0	4	0	63
13:30	11	29	0	0	0	0	0	0	0	19	2	0	3	0	3	0	67
13:45	9	38	0	0	0	0	0	0	0	17	0	0	2	0	5	0	71
Total	29	120	0	0	0	0	0	0	0	79	7	0	9	0	15	0	259
Grand Total	131	407	0	0	0	0	0	0	0	362	36	1	31	0	52	2	1022
Apprch %	24.3	75.7	0	0	0	0	0	0	0	90.7	9	0.3	36.5	0	61.2	2.4	
Total %	12.8	39.8	0	0	0	0	0	0	0	35.4	3.5	0.1	3	0	5.1	0.2	

City: DANA POINT  
 N-S Direction: CAMINO CAPISTRANO  
 E-W Direction: SEPULVEDA AVENUE

File Name : H2001015SAT  
 Site Code : 00000000  
 Start Date : 1/18/2020  
 Page No : 2

Start Time	CAMINO CAPISTRANO Southbound					DEAD END Westbound					CAMINO CAPISTRANO Northbound					SEPULVEDA AVENUE Eastbound					Int. Total
	Right	Thru	Left	U-Turns	App. Total	Right	Thru	Left	U-Turns	App. Total	Right	Thru	Left	U-Turns	App. Total	Right	Thru	Left	U-Turns	App. Total	
Peak Hour Analysis From 10:00 to 13:45 - Peak 1 of 1																					
Peak Hour for Entire Intersection Begins at 11:45																					
11:45	10	20	0	0	30	0	0	0	0	0	0	22	4	0	21	2	0	6	0	4	61
12:00	10	26	0	0	36	0	0	0	0	0	0	17	4	0	21	4	0	2	0	9	77
12:15	6	33	0	0	39	0	0	0	0	0	0	26	3	0	29	2	0	5	0	9	77
12:30	17											27	2	0	29	2	0	5	1		
Total Volume	43	101	0	0	144	0	0	0	0	0	0	92	13	0	105	10	0	18	1	29	278
% App. Total	29.9	70.1	0	0		0	0	0	0		0	87.6	12.4	0		34.5	0	62.1	3.4		
PHF	.632	.765	.000	.000	.923	.000	.000	.000	.000	.000	.000	.852	.813	.000	.905	.625	.000	.750	.250	.806	.903





City: DANA POINT  
 N-S Direction: SEPULVEDA AVENUE  
 E-W Direction: VICTORIA BOULEVARD

File Name : H1912013  
 Site Code : 00000000  
 Start Date : 12/5/2019  
 Page No : 1

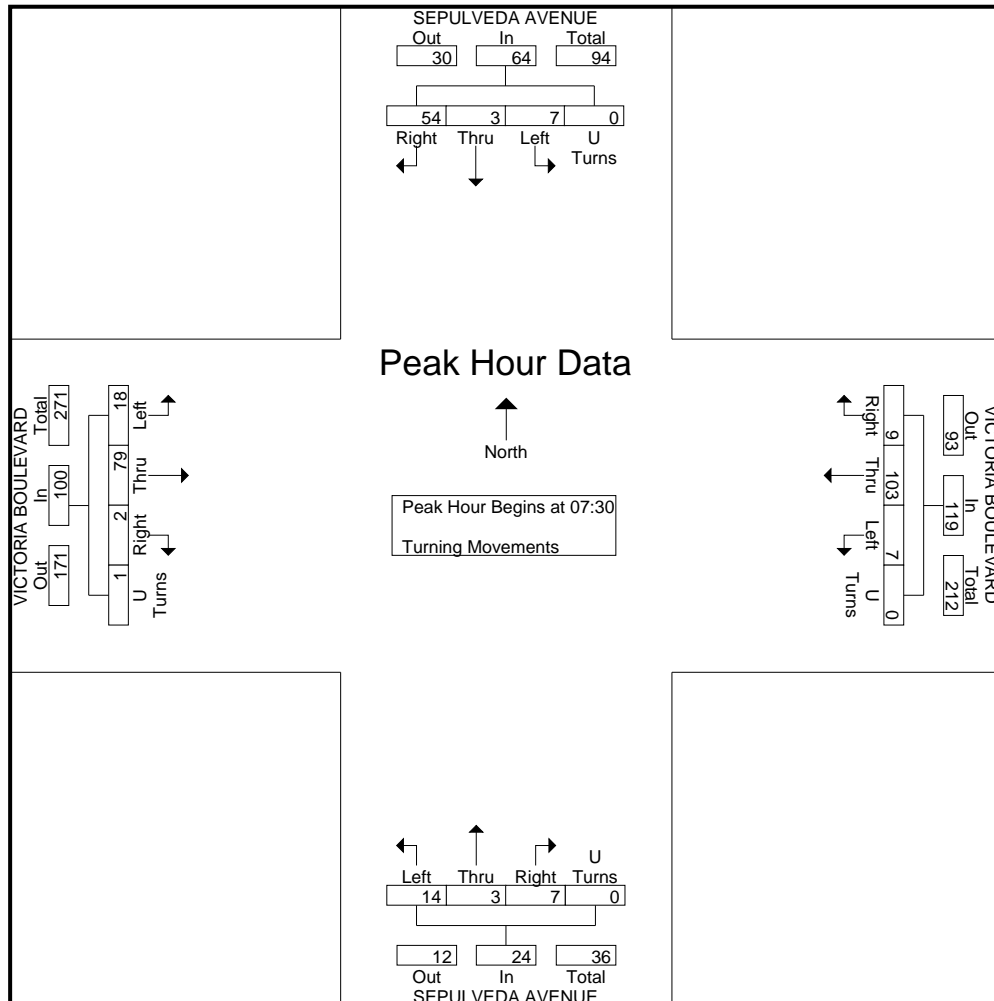
Groups Printed- Turning Movements

Start Time	SEPULVEDA AVENUE Southbound				VICTORIA BOULEVARD Westbound				SEPULVEDA AVENUE Northbound				VICTORIA BOULEVARD Eastbound				Int. Total
	Right	Thru	Left	U Turns	Right	Thru	Left	U Turns	Right	Thru	Left	U Turns	Right	Thru	Left	U Turns	
07:00	26	1	0	0	0	15	0	0	2	1	2	0	0	7	6	0	60
07:15	14	2	1	0	0	25	1	0	2	1	1	0	0	11	2	0	60
07:30	21	0	4	0	2	32	1	0	1	1	2	0	1	20	4	0	89
07:45	12	1	0	0	6	30	3	0	3	1	5	0	0	12	6	0	79
Total	73	4	5	0	8	102	5	0	8	4	10	0	1	50	18	0	288
08:00	6	2	3	0	0	21	1	0	2	0	5	0	1	22	5	1	69
08:15	15	0	0	0	1	20	2	0	1	1	2	0	0	25	3	0	70
08:30	14	0	0	0	0	40	2	0	1	0	4	0	2	18	6	0	87
08:45	5	3	2	0	0	25	4	0	1	2	1	0	0	17	4	0	64
Total	40	5	5	0	1	106	9	0	5	3	12	0	3	82	18	1	290
16:00	14	2	0	0	0	24	1	0	4	2	1	0	1	35	8	0	92
16:15	14	0	0	0	0	29	1	0	0	1	0	0	0	20	12	0	77
16:30	15	0	1	0	1	20	1	0	5	2	1	0	0	29	12	1	88
16:45	13	0	1	0	0	28	2	0	3	2	2	0	3	27	9	0	90
Total	56	2	2	0	1	101	5	0	12	7	4	0	4	111	41	1	347
17:00	13	1	5	0	2	22	1	0	4	0	2	0	0	33	9	1	93
17:15	11	2	0	0	2	30	1	0	0	0	3	0	1	33	9	0	92
17:30	14	3	1	0	2	25	1	0	2	0	0	0	0	30	8	0	86
17:45	8	4	1	1	0	19	0	0	1	1	1	1	1	25	6	0	69
Total	46	10	7	1	6	96	3	0	7	1	6	1	2	121	32	1	340
Grand Total	215	21	19	1	16	405	22	0	32	15	32	1	10	364	109	3	1265
Apprch %	84	8.2	7.4	0.4	3.6	91.4	5	0	40	18.8	40	1.2	2.1	74.9	22.4	0.6	
Total %	17	1.7	1.5	0.1	1.3	32	1.7	0	2.5	1.2	2.5	0.1	0.8	28.8	8.6	0.2	

City: DANA POINT  
 N-S Direction: SEPULVEDA AVENUE  
 E-W Direction: VICTORIA BOULEVARD

File Name : H1912013  
 Site Code : 00000000  
 Start Date : 12/5/2019  
 Page No : 2

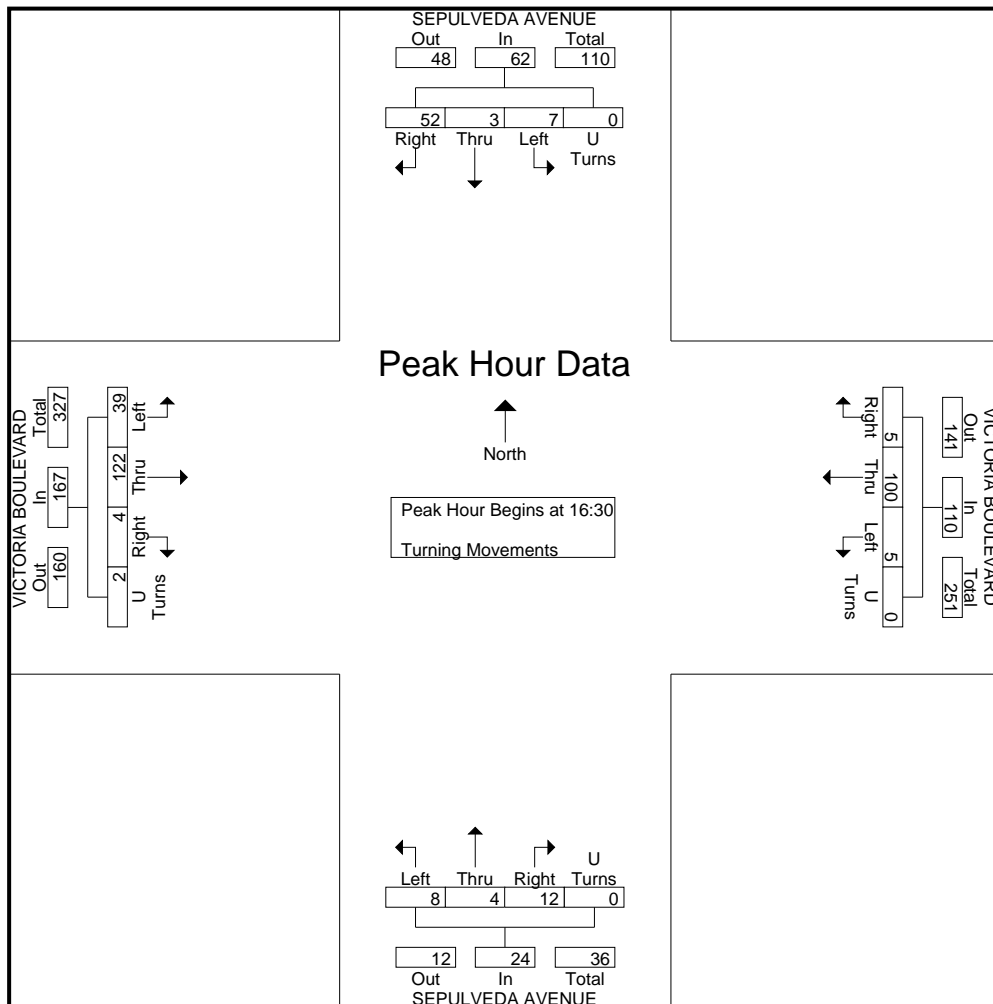
Start Time	SEPULVEDA AVENUE Southbound					VICTORIA BOULEVARD Westbound					SEPULVEDA AVENUE Northbound					VICTORIA BOULEVARD Eastbound					Int. Total
	Right	Thru	Left	U Turns	App. Total	Right	Thru	Left	U Turns	App. Total	Right	Thru	Left	U Turns	App. Total	Right	Thru	Left	U Turns	App. Total	
Peak Hour Analysis From 07:00 to 08:45 - Peak 1 of 1																					
Peak Hour for Entire Intersection Begins at 07:30																					
07:30	21		4		25	2	32	1	0	35	1	1	2	0	4	1					89
07:45	12	1	0	0	13	6		3		39	3		5		9	0	12	6			69
08:00	6	2	3	0	11	0	21	1	0	22	2	0	5	0	7	1	22	5	1		29
08:15	15	0	0	0	15	1	20	2	0	23	1	1	2	0	4	0	25	3	0		28
Total Volume	54	3	7	0	64	9	103	7	0	119	7	3	14	0	24	2	79	18	1	100	307
% App. Total	84.4	4.7	10.9	0		7.6	86.6	5.9	0		29.2	12.5	58.3	0		2	79	18	1		
PHF	.643	.375	.438	.000	.640	.375	.805	.583	.000	.763	.583	.750	.700	.000	.667	.500	.790	.750	.250	.862	.862



City: DANA POINT  
 N-S Direction: SEPULVEDA AVENUE  
 E-W Direction: VICTORIA BOULEVARD

File Name : H1912013  
 Site Code : 0000000  
 Start Date : 12/5/2019  
 Page No : 3

Start Time	SEPULVEDA AVENUE Southbound					VICTORIA BOULEVARD Westbound					SEPULVEDA AVENUE Northbound					VICTORIA BOULEVARD Eastbound					Int. Total
	Right	Thru	Left	U Turns	App. Total	Right	Thru	Left	U Turns	App. Total	Right	Thru	Left	U Turns	App. Total	Right	Thru	Left	U Turns	App. Total	
16:30	15										5	2	1	0	8	0	29	12	1		
16:45	13	0	1	0	14	0	28	2	0	30	3	2	2	0	7	3	27	9	0	39	90
17:00	13	1	5	0	19	2	22	1	0	25	4	0	2	0	6	0	33	9	1	43	93
17:15	11	2	0	0	13	2	30	1	0	33	0	0	3								
Total Volume	52	3	7	0	62	5	100	5	0	110	12	4	8	0	24	4	122	39	2	167	363
% App. Total	83.9	4.8	11.3	0		4.5	90.9	4.5	0		50	16.7	33.3	0		2.4	73.1	23.4	1.2		
PHF	.867	.375	.350	.000	.816	.625	.833	.625	.000	.833	.600	.500	.667	.000	.750	.333	.924	.813	.500	.971	.976



City: DANA POINT  
 N-S Direction: SEPULVEDA AVENUE  
 E-W Direction: VICTORIA BOULEVARD

File Name : H1912024  
 Site Code : 00000000  
 Start Date : 12/7/2019  
 Page No : 1

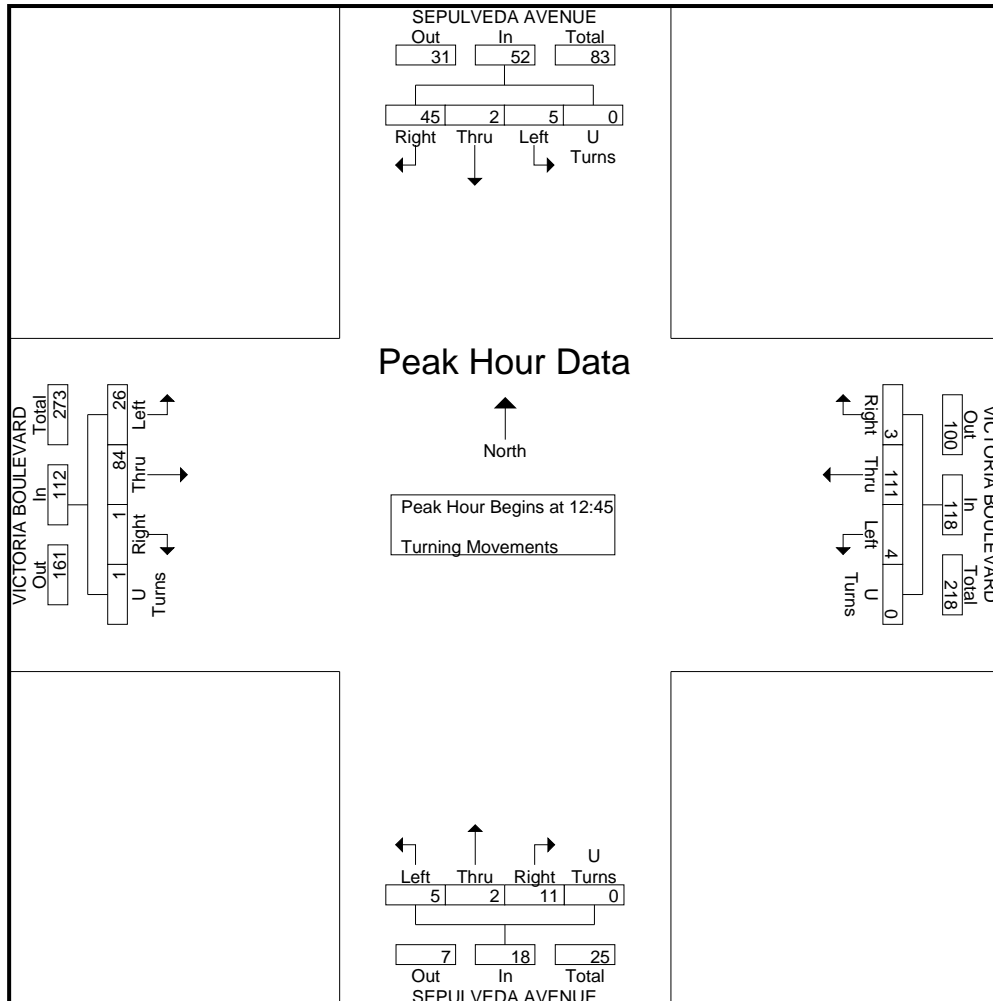
Groups Printed- Turning Movements

Start Time	SEPULVEDA AVENUE Southbound				VICTORIA BOULEVARD Westbound				SEPULVEDA AVENUE Northbound				VICTORIA BOULEVARD Eastbound				Int. Total
	Right	Thru	Left	U Turns	Right	Thru	Left	U Turns	Right	Thru	Left	U Turns	Right	Thru	Left	U Turns	
10:00	11	0	0	0	0	22	1	0	3	2	1	0	1	18	4	0	63
10:15	2	0	0	0	0	23	1	0	2	2	1	0	1	19	5	0	56
10:30	9	0	0	0	0	22	0	0	0	0	2	0	0	15	2	1	51
10:45	8	0	2	0	1	22	2	0	1	0	0	0	2	18	6	0	62
Total	30	0	2	0	1	89	4	0	6	4	4	0	4	70	17	1	232
11:00	7	1	0	0	0	29	0	0	4	0	5	0	1	23	2	1	73
11:15	10	2	0	0	0	24	0	0	0	1	3	0	0	15	4	0	59
11:30	7	0	0	0	1	32	1	0	2	1	1	0	2	21	4	0	72
11:45	7	0	0	0	2	30	0	0	4	1	0	0	1	19	6	0	70
Total	31	3	0	0	3	115	1	0	10	3	9	0	4	78	16	1	274
12:00	10	2	1	0	0	27	1	0	2	0	2	0	1	16	4	0	66
12:15	8	0	0	0	0	33	0	0	2	0	1	0	0	21	2	0	67
12:30	7	0	0	0	0	28	1	0	0	1	1	0	0	17	6	0	61
12:45	11	2	0	0	0	31	0	0	4	0	1	0	1	20	6	0	76
Total	36	4	1	0	0	119	2	0	8	1	5	0	2	74	18	0	270
13:00	4	0	0	0	1	22	1	0	2	1	2	0	0	20	4	0	57
13:15	14	0	4	0	1	33	2	0	0	1	0	0	0	28	10	0	93
13:30	16	0	1	0	1	25	1	0	5	0	2	0	0	16	6	1	74
13:45	11	3	0	0	0	16	0	0	0	2	1	0	2	33	4	0	72
Total	45	3	5	0	3	96	4	0	7	4	5	0	2	97	24	1	296
Grand Total	142	10	8	0	7	419	11	0	31	12	23	0	12	319	75	3	1072
Apprch %	88.8	6.2	5	0	1.6	95.9	2.5	0	47	18.2	34.8	0	2.9	78	18.3	0.7	
Total %	13.2	0.9	0.7	0	0.7	39.1	1	0	2.9	1.1	2.1	0	1.1	29.8	7	0.3	

City: DANA POINT  
 N-S Direction: SEPULVEDA AVENUE  
 E-W Direction: VICTORIA BOULEVARD

File Name : H1912024  
 Site Code : 0000000  
 Start Date : 12/7/2019  
 Page No : 2

Start Time	SEPULVEDA AVENUE Southbound					VICTORIA BOULEVARD Westbound					SEPULVEDA AVENUE Northbound					VICTORIA BOULEVARD Eastbound					Int. Total
	Right	Thru	Left	U Turns	App. Total	Right	Thru	Left	U Turns	App. Total	Right	Thru	Left	U Turns	App. Total	Right	Thru	Left	U Turns	App. Total	
Peak Hour Analysis From 10:00 to 13:45 - Peak 1 of 1																					
Peak Hour for Entire Intersection Begins at 12:45																					
12:45	11	2	0	0	13	0	31	0	0	31	4	0	1	0	5	1	0	0	0	1	0
13:00	4	0	0	0	4	1	22	1	0	24	2	1	2	0	5	0	20	4	0	24	57
13:15	14	0	4	0	18	1	33	2	0	36	0	1	0	1	1	0	28	10	0	38	93
13:30	16										5			7	0	16	6	1			
Total Volume	45	2	5	0	52	3	111	4	0	118	11	2	5	0	18	1	84	26	1	112	300
% App. Total	86.5	3.8	9.6	0		2.5	94.1	3.4	0		61.1	11.1	27.8	0		0.9	75	23.2	0.9		
PHF	.703	.250	.313	.000	.722	.750	.841	.500	.000	.819	.550	.500	.625	.000	.643	.250	.750	.650	.250	.737	.806



City: DANA POINT  
 N-S Direction: SEPULVEDA AVENUE  
 E-W Direction: DOMINGO AVENUE

File Name : H1912014  
 Site Code : 00000000  
 Start Date : 12/5/2019  
 Page No : 1

Groups Printed- Turning Movements

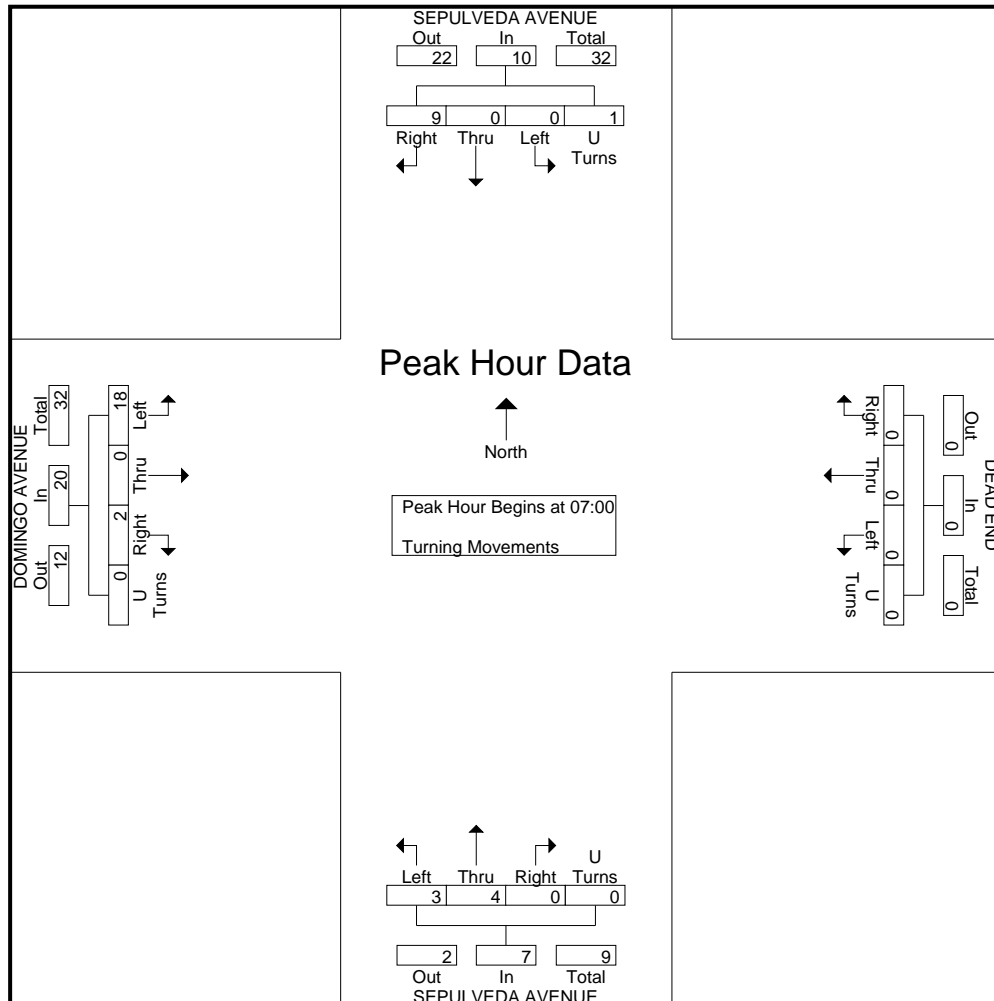
Start Time	SEPULVEDA AVENUE Southbound				DEAD END Westbound				SEPULVEDA AVENUE Northbound				DOMINGO AVENUE Eastbound				Int. Total
	Right	Thru	Left	U Turns	Right	Thru	Left	U Turns	Right	Thru	Left	U Turns	Right	Thru	Left	U Turns	
07:00	2	0	0	0	0	0	0	0	0	2	2	0	1	0	3	0	10
07:15	2	0	0	1	0	0	0	0	0	0	1	0	0	0	7	0	11
07:30	2	0	0	0	0	0	0	0	0	0	0	0	1	0	1	0	4
07:45	3	0	0	0	0	0	0	0	0	2	0	0	0	0	7	0	12
Total	9	0	0	1	0	0	0	0	0	4	3	0	2	0	18	0	37
08:00	2	0	0	0	0	0	0	0	0	3	0	0	0	0	2	0	7
08:15	3	0	0	0	0	0	0	0	0	0	0	0	0	0	4	0	7
08:30	3	1	0	0	0	0	0	0	0	0	0	0	1	0	4	0	9
08:45	7	0	0	0	0	0	0	0	0	0	0	0	0	0	4	0	11
Total	15	1	0	0	0	0	0	0	0	3	0	0	1	0	14	0	34
16:00	3	1	0	0	0	0	0	0	0	1	0	0	0	0	5	0	10
16:15	0	0	0	0	0	0	0	0	0	0	0	0	1	0	1	0	2
16:30	1	0	0	0	0	0	0	0	0	1	0	0	1	0	7	0	10
16:45	3	0	0	1	0	0	0	0	0	0	0	0	2	0	6	0	12
Total	7	1	0	1	0	0	0	0	0	2	0	0	4	0	19	0	34
17:00	0	2	0	0	0	0	0	0	0	1	0	0	1	0	5	1	10
17:15	3	1	0	0	0	0	0	0	0	0	1	0	1	0	3	0	9
17:30	2	1	0	0	0	0	0	0	0	0	1	0	1	0	1	0	6
17:45	3	1	0	1	0	0	0	0	0	2	0	0	4	0	4	1	16
Total	8	5	0	1	0	0	0	0	0	3	2	0	7	0	13	2	41
Grand Total	39	7	0	3	0	0	0	0	0	12	5	0	14	0	64	2	146
Apprch %	79.6	14.3	0	6.1	0	0	0	0	0	70.6	29.4	0	17.5	0	80	2.5	
Total %	26.7	4.8	0	2.1	0	0	0	0	0	8.2	3.4	0	9.6	0	43.8	1.4	

City: DANA POINT  
 N-S Direction: SEPULVEDA AVENUE  
 E-W Direction: DOMINGO AVENUE

File Name : H1912014  
 Site Code : 0000000  
 Start Date : 12/5/2019  
 Page No : 2

Start Time	SEPULVEDA AVENUE Southbound					DEAD END Westbound					SEPULVEDA AVENUE Northbound					DOMINGO AVENUE Eastbound					Int. Total
	Right	Thru	Left	U Turns	App. Total	Right	Thru	Left	U Turns	App. Total	Right	Thru	Left	U Turns	App. Total	Right	Thru	Left	U Turns	App. Total	
07:00	2	0	0	0	2	0	0	0	0	0	0	2	2	0	4	1	0	0	0	0	11
07:15	2	0	0	1	3	0	0	0	0	0	0	0	1	0	1	0	0	7	0	7	4
07:30	2	0	0	0	2	0	0	0	0	0	0	0	0	0	0	1	0	1	0	2	12
07:45	3																				
Total Volume	9	0	0	1	10	0	0	0	0	0	0	4	3	0	7	2	0	18	0	20	37
% App. Total	90	0	0	10		0	0	0	0		0	57.1	42.9	0		10	0	90	0		
PHF	.750	.000	.000	.250	.833	.000	.000	.000	.000	.000	.000	.500	.375	.000	.438	.500	.000	.643	.000	.714	.771

Peak Hour Analysis From 07:00 to 08:45 - Peak 1 of 1  
 Peak Hour for Entire Intersection Begins at 07:00

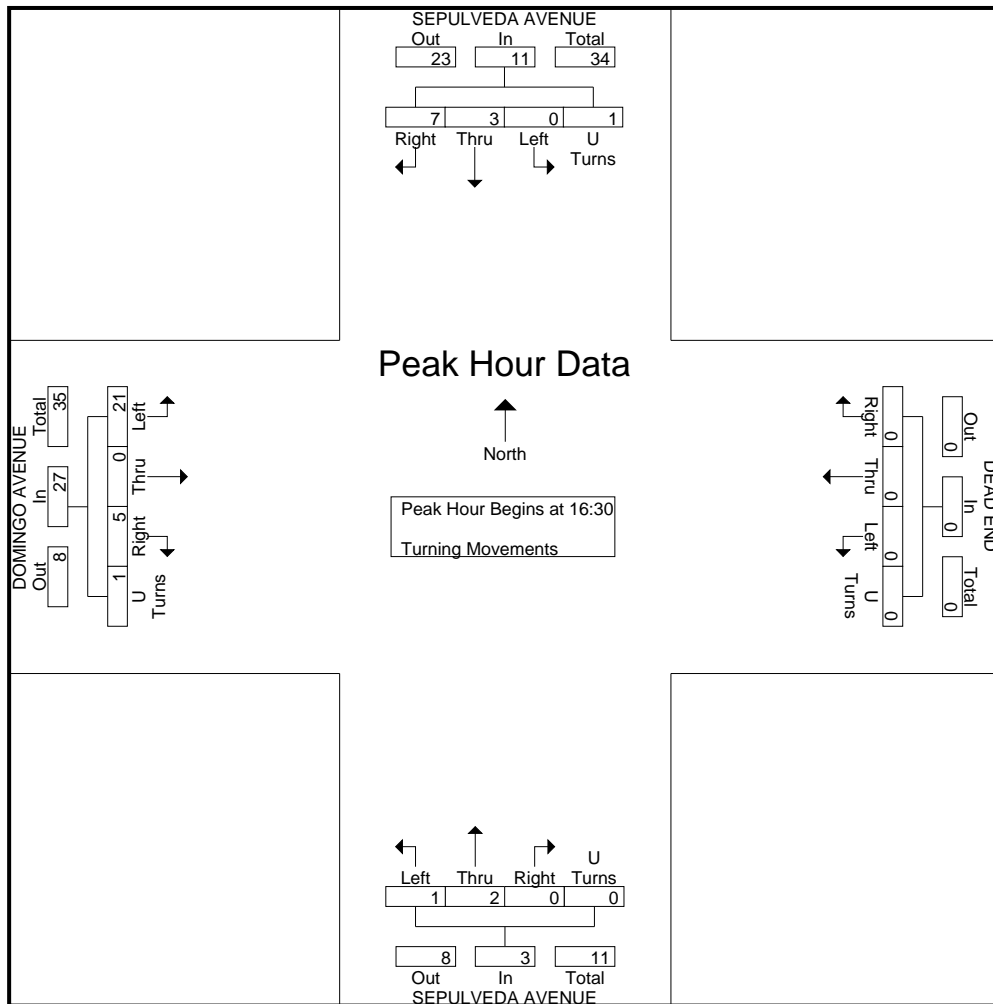


City: DANA POINT  
 N-S Direction: SEPULVEDA AVENUE  
 E-W Direction: DOMINGO AVENUE

File Name : H1912014  
 Site Code : 00000000  
 Start Date : 12/5/2019  
 Page No : 3

Start Time	SEPULVEDA AVENUE Southbound					DEAD END Westbound					SEPULVEDA AVENUE Northbound					DOMINGO AVENUE Eastbound					Int. Total
	Right	Thru	Left	U Turns	App. Total	Right	Thru	Left	U Turns	App. Total	Right	Thru	Left	U Turns	App. Total	Right	Thru	Left	U Turns	App. Total	
16:30	1	0	0	0	1	0	0	0	0	0	0	1	0	0	1	1	0	7		8	10
16:45	3	0	0	1	4	0	0	0	0	0	0	0	0	0	0	2	0	0			12
17:00	0	2	0	0	2	0	0	0	0	0	0	1	0	0	1	1	0	5	1		
<b>17:15</b>	<b>3</b>	<b>1</b>	<b>0</b>	<b>0</b>	<b>4</b>	<b>0</b>	<b>0</b>	<b>0</b>	<b>0</b>	<b>0</b>	<b>0</b>	<b>0</b>	<b>1</b>	<b>0</b>	<b>1</b>	<b>1</b>	<b>0</b>	<b>3</b>	<b>0</b>	<b>4</b>	<b>9</b>
Total Volume	7	3	0	1	11	0	0	0	0	0	0	2	1	0	3	5	0	21	1	27	41
% App. Total	63.6	27.3	0	9.1		0	0	0	0	0	0	66.7	33.3	0	18.5	0	77.8	3.7			
PHF	.583	.375	.000	.250	.688	.000	.000	.000	.000	.000	.000	.500	.250	.000	.750	.625	.000	.750	.250	.844	.854

Peak Hour Analysis From 16:00 to 17:45 - Peak 1 of 1  
 Peak Hour for Entire Intersection Begins at 16:30





City: DANA POINT  
 N-S Direction: SEPULVEDA AVENUE  
 E-W Direction: DOMINGO AVENUE

File Name : H1912025  
 Site Code : 00000000  
 Start Date : 12/7/2019  
 Page No : 1

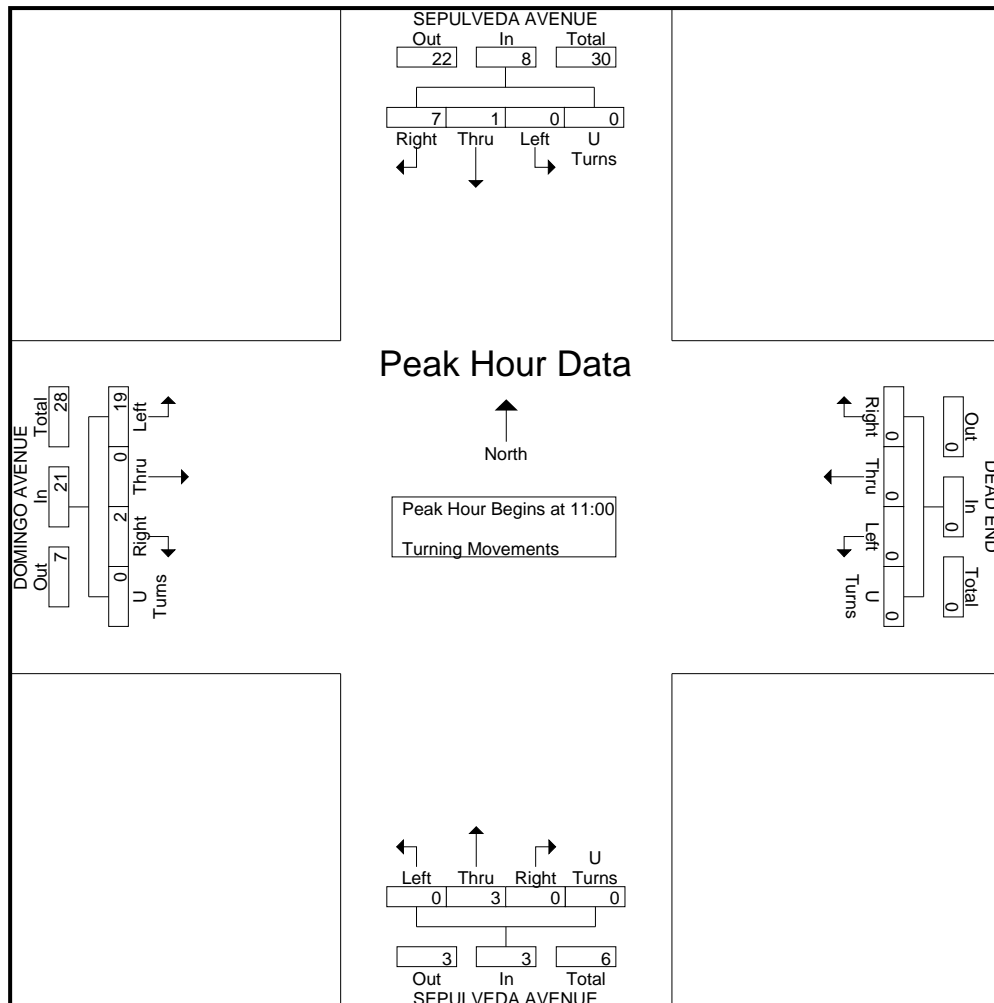
Groups Printed- Turning Movements

Start Time	SEPULVEDA AVENUE Southbound				DEAD END Westbound				SEPULVEDA AVENUE Northbound				DOMINGO AVENUE Eastbound				Int. Total
	Right	Thru	Left	U Turns	Right	Thru	Left	U Turns	Right	Thru	Left	U Turns	Right	Thru	Left	U Turns	
10:00	2	0	0	0	0	0	0	0	0	1	0	0	1	0	6	0	10
10:15	2	0	0	0	0	0	0	0	0	0	0	0	0	0	3	0	5
10:30	1	0	0	0	0	0	0	0	0	0	0	0	0	0	2	0	3
10:45	3	0	0	0	0	0	0	0	0	0	0	0	0	0	0	0	3
Total	8	0	0	0	0	0	0	0	0	1	0	0	1	0	11	0	21
11:00	1	1	0	0	0	0	0	0	0	1	0	0	1	0	8	0	12
11:15	2	0	0	0	0	0	0	0	0	1	0	0	1	0	3	0	7
11:30	3	0	0	0	0	0	0	0	0	1	0	0	0	0	4	0	8
11:45	1	0	0	0	0	0	0	0	0	0	0	0	0	0	4	0	5
Total	7	1	0	0	0	0	0	0	0	3	0	0	2	0	19	0	32
12:00	3	0	0	1	0	0	0	0	0	0	0	0	1	0	3	0	8
12:15	0	1	0	0	0	0	0	0	0	0	0	0	0	0	3	0	4
12:30	1	0	0	0	0	0	0	0	0	0	1	0	0	0	3	0	5
12:45	2	1	0	0	0	0	0	0	0	0	0	0	0	0	4	0	7
Total	6	2	0	1	0	0	0	0	0	0	1	0	1	0	13	0	24
13:00	1	0	0	0	0	0	0	0	0	1	0	0	1	0	4	0	7
13:15	2	0	0	0	0	0	0	0	0	1	1	0	1	0	0	0	5
13:30	1	0	0	0	0	0	0	0	0	1	0	0	1	0	6	0	9
13:45	2	3	0	0	0	0	0	0	0	1	0	0	0	0	2	1	9
Total	6	3	0	0	0	0	0	0	0	4	1	0	3	0	12	1	30
Grand Total	27	6	0	1	0	0	0	0	0	8	2	0	7	0	55	1	107
Apprch %	79.4	17.6	0	2.9	0	0	0	0	0	80	20	0	11.1	0	87.3	1.6	
Total %	25.2	5.6	0	0.9	0	0	0	0	0	7.5	1.9	0	6.5	0	51.4	0.9	

City: DANA POINT  
 N-S Direction: SEPULVEDA AVENUE  
 E-W Direction: DOMINGO AVENUE

File Name : H1912025  
 Site Code : 00000000  
 Start Date : 12/7/2019  
 Page No : 2

Start Time	SEPULVEDA AVENUE Southbound					DEAD END Westbound					SEPULVEDA AVENUE Northbound					DOMINGO AVENUE Eastbound					Int. Total
	Right	Thru	Left	U Turns	App. Total	Right	Thru	Left	U Turns	App. Total	Right	Thru	Left	U Turns	App. Total	Right	Thru	Left	U Turns	App. Total	
Peak Hour Analysis From 10:00 to 13:45 - Peak 1 of 1																					
Peak Hour for Entire Intersection Begins at 11:00																					
11:00	1	1	0	0	2	0	0	0	0	0	0	1	0	0	1	1	0	8	0	9	12
11:15	2	0	0	0	2	0	0	0	0	0	0	1	0	0	1	1	0	3	0	4	7
11:30	3	0	0	0	3	0	0	0	0	0	0	1	0	0	1	0	0	4	0	4	8
11:45	1	0	0	0	1	0	0	0	0	0	0	0	0	0	0	0	0	4	0	4	5
Total Volume	7	1	0	0	8	0	0	0	0	0	0	3	0	0	3	2	0	19	0	21	32
% App. Total	87.5	12.5	0	0		0	0	0	0		0	100	0	0		9.5	0	90.5	0		
PHF	.583	.250	.000	.000	.667	.000	.000	.000	.000	.000	.000	.750	.000	.000	.750	.500	.000	.594	.000	.583	.667



City: DANA POINT  
 N-S Direction: CAMINO CAPISTRANO  
 E-W Direction: VICTORIA BOULEVARD

File Name : H1912015  
 Site Code : 00000000  
 Start Date : 12/5/2019  
 Page No : 1

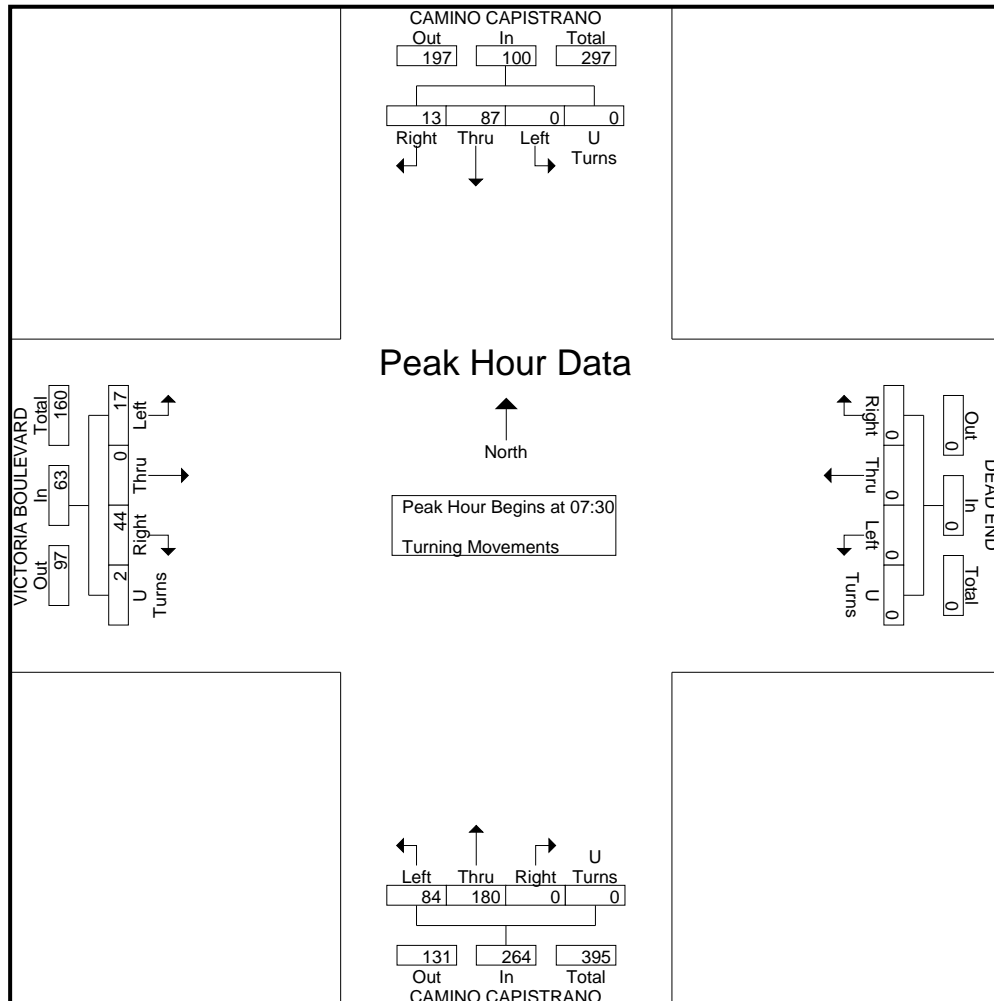
Groups Printed- Turning Movements

Start Time	CAMINO CAPISTRANO Southbound				DEAD END Westbound				CAMINO CAPISTRANO Northbound				VICTORIA BOULEVARD Eastbound				Int. Total
	Right	Thru	Left	U Turns	Right	Thru	Left	U Turns	Right	Thru	Left	U Turns	Right	Thru	Left	U Turns	
07:00	1	15	0	0	0	0	0	0	0	20	10	0	2	0	3	0	51
07:15	2	12	0	0	0	0	0	0	0	30	17	0	6	0	2	0	69
07:30	6	32	0	0	0	0	0	0	0	50	23	0	14	0	1	0	126
07:45	4	20	0	0	0	0	0	0	0	42	31	0	7	0	3	1	108
Total	13	79	0	0	0	0	0	0	0	142	81	0	29	0	9	1	354
08:00	1	20	0	0	0	0	0	0	0	44	16	0	12	0	7	1	101
08:15	2	15	0	0	0	0	0	0	0	44	14	0	11	0	6	0	92
08:30	2	25	0	0	0	0	0	0	0	25	26	0	14	0	4	0	96
08:45	6	17	0	0	0	0	0	0	0	35	21	0	8	0	3	1	91
Total	11	77	0	0	0	0	0	0	0	148	77	0	45	0	20	2	380
16:00	0	37	0	0	0	0	0	0	0	32	19	0	30	0	2	0	120
16:15	0	31	0	0	0	0	0	0	0	23	29	0	16	0	3	0	102
16:30	4	39	0	0	0	0	0	0	0	27	14	0	27	0	4	0	115
16:45	3	41	0	0	0	0	0	0	0	31	20	0	22	0	6	0	123
Total	7	148	0	0	0	0	0	0	0	113	82	0	95	0	15	0	460
17:00	2	46	0	0	0	0	0	0	0	19	13	0	28	0	3	1	112
17:15	2	35	0	0	0	0	0	0	0	26	20	0	27	0	3	0	113
17:30	4	38	0	0	0	0	0	0	0	22	22	0	24	0	4	0	114
17:45	0	26	0	0	0	0	0	0	0	22	14	0	18	0	2	0	82
Total	8	145	0	0	0	0	0	0	0	89	69	0	97	0	12	1	421
Grand Total	39	449	0	0	0	0	0	0	0	492	309	0	266	0	56	4	1615
Apprch %	8	92	0	0	0	0	0	0	0	61.4	38.6	0	81.6	0	17.2	1.2	
Total %	2.4	27.8	0	0	0	0	0	0	0	30.5	19.1	0	16.5	0	3.5	0.2	

City: DANA POINT  
 N-S Direction: CAMINO CAPISTRANO  
 E-W Direction: VICTORIA BOULEVARD

File Name : H1912015  
 Site Code : 00000000  
 Start Date : 12/5/2019  
 Page No : 2

Start Time	CAMINO CAPISTRANO Southbound					DEAD END Westbound					CAMINO CAPISTRANO Northbound					VICTORIA BOULEVARD Eastbound					Int. Total
	Right	Thru	Left	U Turns	App. Total	Right	Thru	Left	U Turns	App. Total	Right	Thru	Left	U Turns	App. Total	Right	Thru	Left	U Turns	App. Total	
Peak Hour Analysis From 07:00 to 08:45 - Peak 1 of 1																					
Peak Hour for Entire Intersection Begins at 07:30																					
07:30	6	32	0	0	38	0	0	0	0	0	0	50	23	0	73	14					126
07:45	4	20	0	0	24	0	0	0	0	0	0	42	31	0	73	12	0	7	1	20	101
08:00	1	20	0	0	21	0	0	0	0	0	0	44	16	0	60	12	0	7	1	20	101
08:15	2	15	0	0	17	0	0	0	0	0	0	44	14	0	58	11	0	6	0	17	92
Total Volume	13	87	0	0	100	0	0	0	0	0	0	180	84	0	264	44	0	17	2	63	427
% App. Total	13	87	0	0		0	0	0	0		0	68.2	31.8	0		69.8	0	27	3.2		
PHF	.542	.680	.000	.000	.658	.000	.000	.000	.000	.000	.000	.900	.677	.000	.904	.786	.000	.607	.500	.788	.847

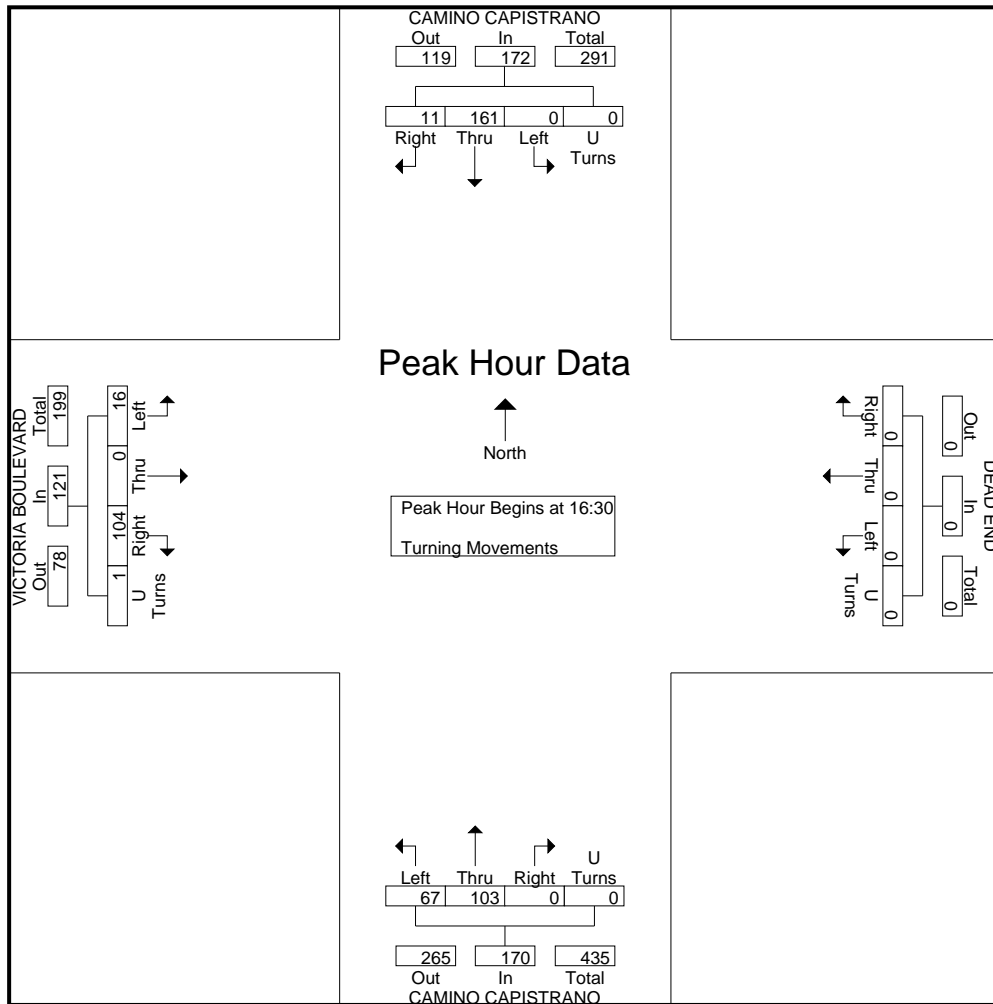


City: DANA POINT  
 N-S Direction: CAMINO CAPISTRANO  
 E-W Direction: VICTORIA BOULEVARD

File Name : H1912015  
 Site Code : 0000000  
 Start Date : 12/5/2019  
 Page No : 3

Start Time	CAMINO CAPISTRANO Southbound					DEAD END Westbound					CAMINO CAPISTRANO Northbound					VICTORIA BOULEVARD Eastbound					Int. Total
	Right	Thru	Left	U Turns	App. Total	Right	Thru	Left	U Turns	App. Total	Right	Thru	Left	U Turns	App. Total	Right	Thru	Left	U Turns	App. Total	
16:30	4																				
16:45	3	41	0	0	44	0	0	0	0	0	0	31	20	0	51	22	0	6	0	28	123
17:00	2	46	0	0	48	0	0	0	0	0	0	19	13	0	32	28	0	0	1	32	112
17:15	2	35	0	0	37	0	0	0	0	0	0	26	20	0	46	27	0	3	0	30	113
Total Volume	11	161	0	0	172	0	0	0	0	0	0	103	67	0	170	104	0	16	1	121	463
% App. Total	6.4	93.6	0	0		0	0	0	0	0	0	60.6	39.4	0		86	0	13.2	0.8		
PHF	.688	.875	.000	.000	.896	.000	.000	.000	.000	.000	.000	.831	.838	.000	.833	.929	.000	.667	.250	.945	.941

Peak Hour Analysis From 16:00 to 17:45 - Peak 1 of 1  
 Peak Hour for Entire Intersection Begins at 16:30



City: DANA POINT  
 N-S Direction: CAMINO CAPISTRANO  
 E-W Direction: VICTORIA BOULEVARD

File Name : H1912026  
 Site Code : 00000000  
 Start Date : 12/7/2019  
 Page No : 1

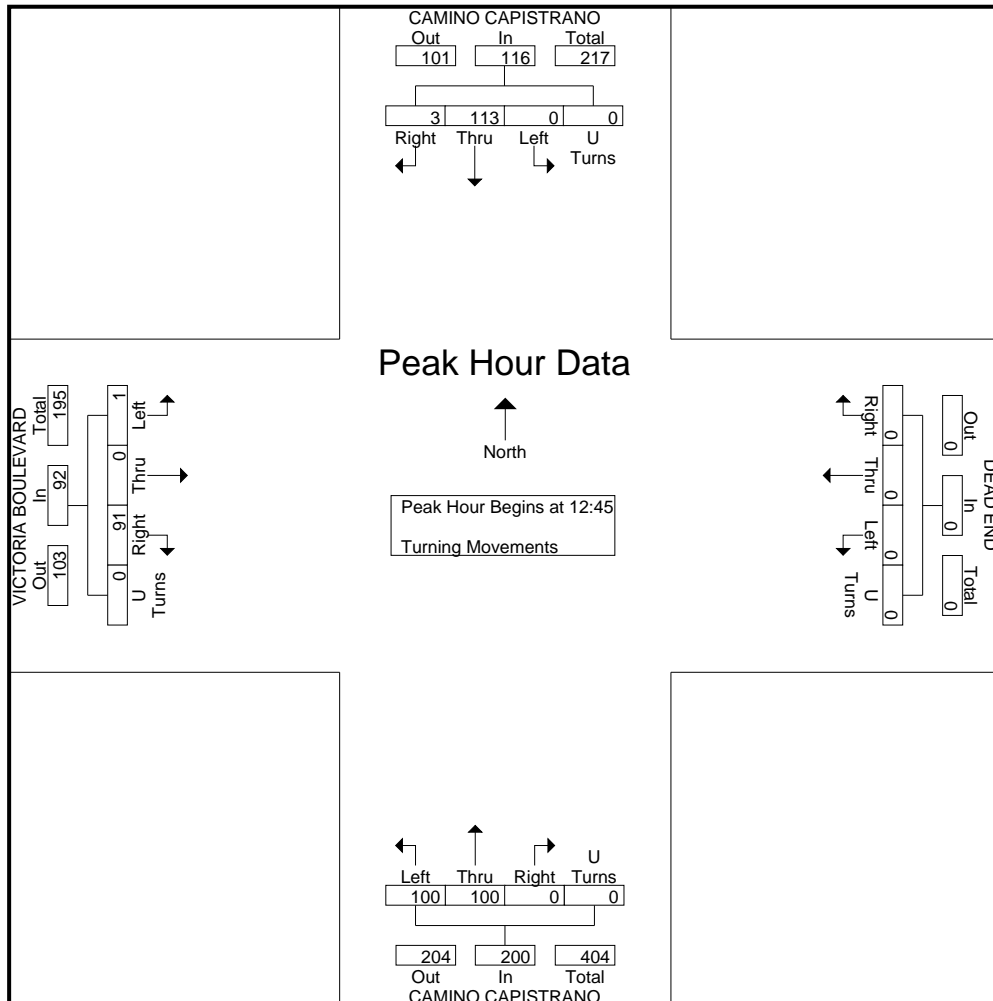
Groups Printed- Turning Movements

Start Time	CAMINO CAPISTRANO Southbound				DEAD END Westbound				CAMINO CAPISTRANO Northbound				VICTORIA BOULEVARD Eastbound				Int. Total
	Right	Thru	Left	U Turns	Right	Thru	Left	U Turns	Right	Thru	Left	U Turns	Right	Thru	Left	U Turns	
10:00	0	23	0	0	0	0	0	0	0	16	20	0	20	0	2	0	81
10:15	0	24	0	0	0	0	0	0	0	19	23	0	16	0	1	0	83
10:30	1	18	0	0	0	0	0	0	0	15	23	0	13	0	0	0	70
10:45	2	21	0	0	0	0	0	0	0	25	18	0	18	0	0	0	84
Total	3	86	0	0	0	0	0	0	0	75	84	0	67	0	3	0	318
11:00	1	25	0	0	0	0	0	0	0	20	26	0	21	0	1	0	94
11:15	2	20	0	0	0	0	0	0	0	21	21	0	13	0	1	0	78
11:30	2	21	0	0	0	0	0	0	0	23	26	0	17	0	1	0	90
11:45	2	28	0	0	0	0	0	0	0	15	27	0	21	0	2	0	95
Total	7	94	0	0	0	0	0	0	0	79	100	0	72	0	5	0	357
12:00	1	34	0	0	0	0	0	0	0	18	19	0	16	0	0	0	88
12:15	0	28	0	0	0	0	0	0	0	21	31	0	22	0	2	0	104
12:30	1	33	0	0	0	0	0	0	0	26	23	0	12	0	0	0	95
12:45	0	29	0	0	0	0	0	0	0	25	29	0	21	0	0	0	104
Total	2	124	0	0	0	0	0	0	0	90	102	0	71	0	2	0	391
13:00	0	30	0	0	0	0	0	0	0	19	19	0	20	0	0	0	88
13:15	2	25	0	0	0	0	0	0	0	24	30	0	29	0	0	0	110
13:30	1	29	0	0	0	0	0	0	0	32	22	0	21	0	1	0	106
13:45	0	29	0	0	0	0	0	0	0	19	14	0	32	0	1	0	95
Total	3	113	0	0	0	0	0	0	0	94	85	0	102	0	2	0	399
Grand Total	15	417	0	0	0	0	0	0	0	338	371	0	312	0	12	0	1465
Apprch %	3.5	96.5	0	0	0	0	0	0	0	47.7	52.3	0	96.3	0	3.7	0	
Total %	1	28.5	0	0	0	0	0	0	0	23.1	25.3	0	21.3	0	0.8	0	

City: DANA POINT  
 N-S Direction: CAMINO CAPISTRANO  
 E-W Direction: VICTORIA BOULEVARD

File Name : H1912026  
 Site Code : 00000000  
 Start Date : 12/7/2019  
 Page No : 2

Start Time	CAMINO CAPISTRANO Southbound					DEAD END Westbound					CAMINO CAPISTRANO Northbound					VICTORIA BOULEVARD Eastbound					Int. Total
	Right	Thru	Left	U Turns	App. Total	Right	Thru	Left	U Turns	App. Total	Right	Thru	Left	U Turns	App. Total	Right	Thru	Left	U Turns	App. Total	
Peak Hour Analysis From 10:00 to 13:45 - Peak 1 of 1																					
Peak Hour for Entire Intersection Begins at 12:45																					
12:45	0	29	0	0	29	0	0	0	0	0	0	25	29	0	54	21	0	0	0	21	104
13:00	0	30	0	0	30	0	0	0	0	0	0	19	19	0	38	20	0	0	0	20	88
13:15	2												30			29				29	110
13:30	1	29	0	0	30	0	0	0	0	0	0	32	22	0	54	21	0	1			
Total Volume	3	113	0	0	116	0	0	0	0	0	0	100	100	0	200	91	0	1	0	92	408
% App. Total	2.6	97.4	0	0		0	0	0	0		0	50	50	0		98.9	0	1.1	0		
PHF	.375	.942	.000	.000	.967	.000	.000	.000	.000	.000	.000	.781	.833	.000	.926	.784	.000	.250	.000	.793	.927



City: DANA POINT  
 N-S Direction: DOHENY PARK PLAZA  
 E-W Direction: PACIFIC COAST HIGHWAY

File Name : H2001016  
 Site Code : 00000000  
 Start Date : 1/15/2020  
 Page No : 1

Groups Printed- Turning Movements

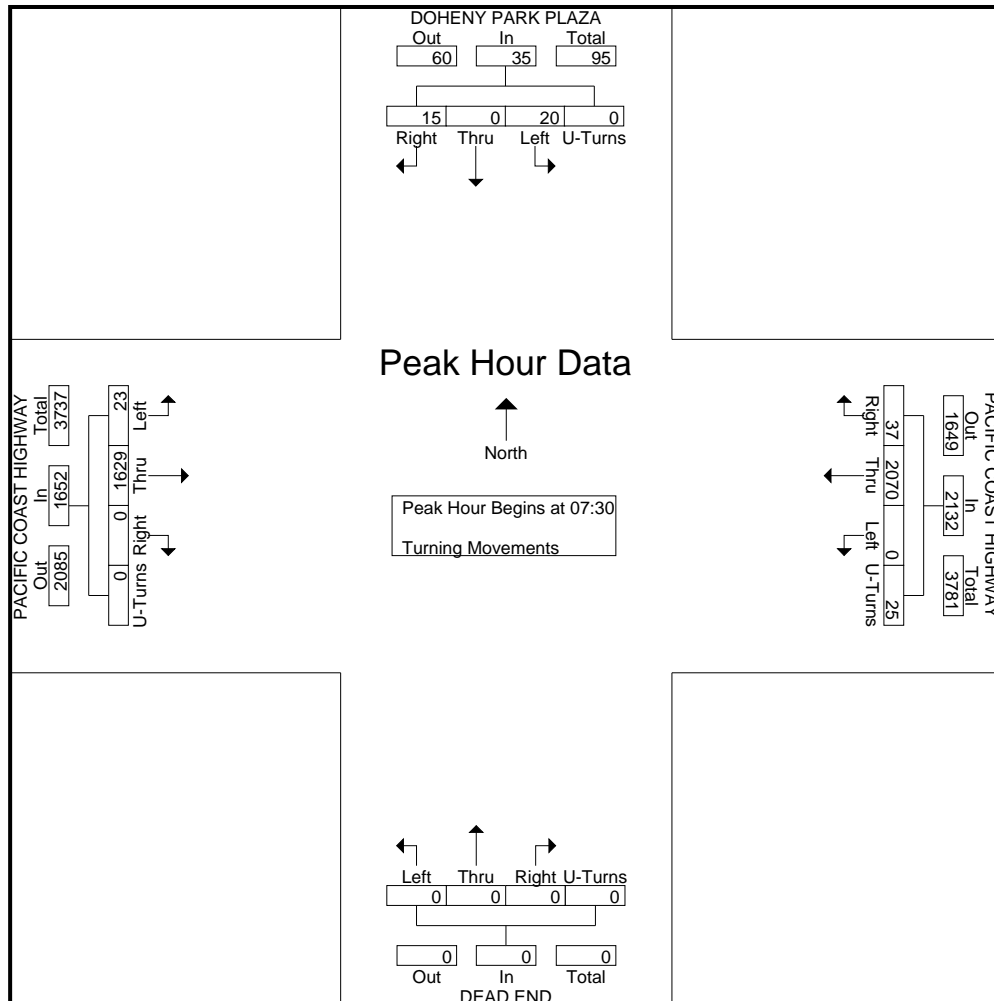
Start Time	DOHENY PARK PLAZA Southbound				PACIFIC COAST HIGHWAY Westbound				DEAD END Northbound				PACIFIC COAST HIGHWAY Eastbound				Int. Total
	Right	Thru	Left	U-Turns	Right	Thru	Left	U-Turns	Right	Thru	Left	U-Turns	Right	Thru	Left	U-Turns	
07:00	4	0	3	0	6	336	0	9	0	0	0	0	0	225	7	0	590
07:15	7	0	6	0	5	504	0	3	0	0	0	0	0	298	6	0	829
07:30	5	0	4	0	8	568	0	5	0	0	0	0	0	376	1	0	967
07:45	2	0	5	0	13	556	0	10	0	0	0	0	0	463	7	0	1056
Total	18	0	18	0	32	1964	0	27	0	0	0	0	0	1362	21	0	3442
08:00	4	0	6	0	4	463	0	7	0	0	0	0	0	413	9	0	906
08:15	4	0	5	0	12	483	0	3	0	0	0	0	0	377	6	0	890
08:30	9	0	2	0	5	455	0	6	0	0	0	0	0	322	4	0	803
08:45	4	0	8	0	10	460	0	8	0	0	0	0	0	350	10	0	850
Total	21	0	21	0	31	1861	0	24	0	0	0	0	0	1462	29	0	3449
16:00	9	0	13	0	8	494	0	7	0	0	0	0	0	471	8	1	1011
16:15	5	0	8	0	10	487	0	7	0	0	0	0	0	426	10	1	954
16:30	10	0	2	0	7	489	0	8	0	0	0	0	0	420	11	1	948
16:45	8	0	13	0	10	491	0	17	0	0	0	0	0	421	13	0	973
Total	32	0	36	0	35	1961	0	39	0	0	0	0	0	1738	42	3	3886
17:00	12	0	12	0	13	475	0	15	0	0	0	0	0	459	8	0	994
17:15	8	0	15	0	19	520	0	6	0	0	0	0	0	451	13	0	1032
17:30	6	0	8	0	6	493	0	12	0	0	0	0	0	392	8	0	925
17:45	5	0	8	0	13	450	0	4	0	0	0	0	0	403	12	0	895
Total	31	0	43	0	51	1938	0	37	0	0	0	0	0	1705	41	0	3846
Grand Total	102	0	118	0	149	7724	0	127	0	0	0	0	0	6267	133	3	14623
Apprch %	46.4	0	53.6	0	1.9	96.6	0	1.6	0	0	0	0	0	97.9	2.1	0	
Total %	0.7	0	0.8	0	1	52.8	0	0.9	0	0	0	0	0	42.9	0.9	0	



City: DANA POINT  
 N-S Direction: DOHENY PARK PLAZA  
 E-W Direction: PACIFIC COAST HIGHWAY

File Name : H2001016  
 Site Code : 00000000  
 Start Date : 1/15/2020  
 Page No : 2

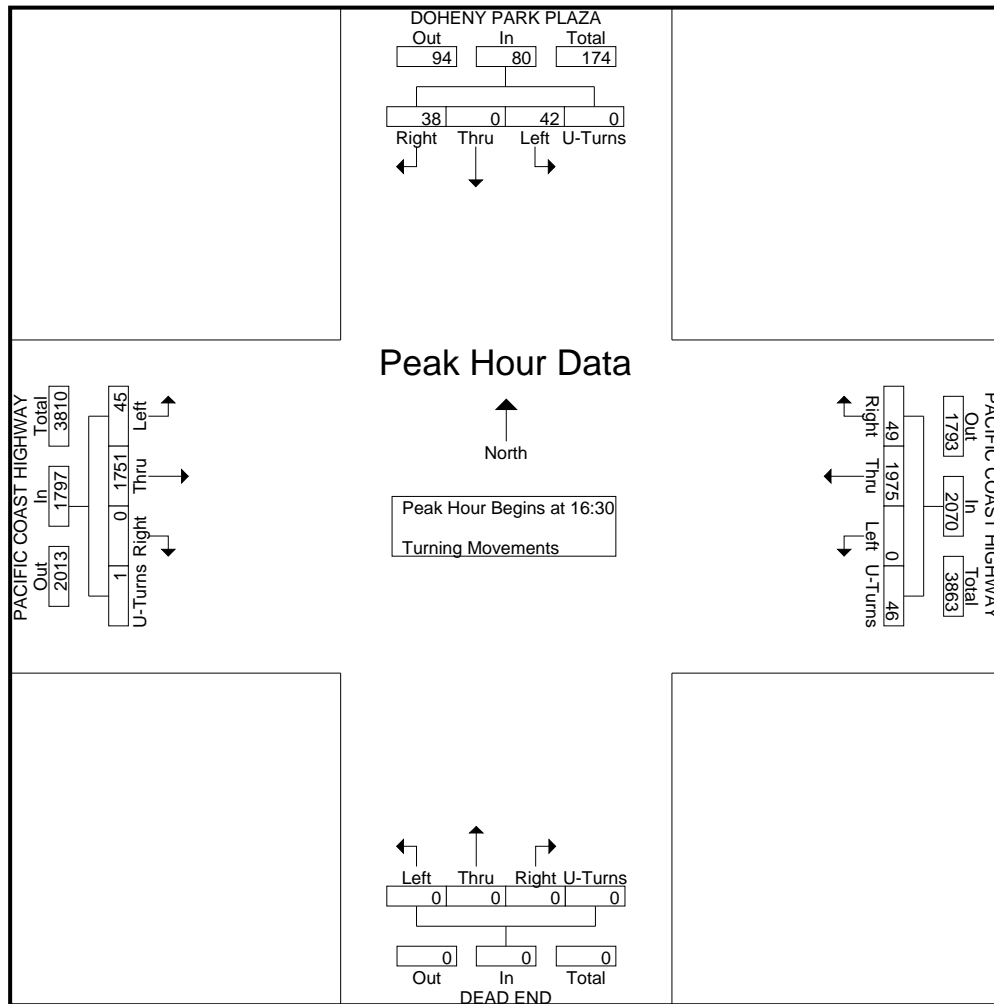
Start Time	DOHENY PARK PLAZA Southbound					PACIFIC COAST HIGHWAY Westbound					DEAD END Northbound					PACIFIC COAST HIGHWAY Eastbound					Int. Total
	Right	Thru	Left	U-Turns	App. Total	Right	Thru	Left	U-Turns	App. Total	Right	Thru	Left	U-Turns	App. Total	Right	Thru	Left	U-Turns	App. Total	
Peak Hour Analysis From 07:00 to 08:45 - Peak 1 of 1																					
Peak Hour for Entire Intersection Begins at 07:30																					
07:30	5	0	5	0	7	568	0	5	581	0	0	0	0	0	0	376	1	0	377	967	
07:45	2	0	5	0	7	13	4	463	0	7	474	0	0	0	0	463	7	0	470	1056	
08:00	4	0	6	0	10	12	483	0	3	498	0	0	0	0	0	413	9	0	422	1020	
<b>08:15</b>	<b>4</b>	<b>0</b>	<b>5</b>	<b>0</b>	<b>9</b>	<b>12</b>	<b>483</b>	<b>0</b>	<b>3</b>	<b>498</b>	<b>0</b>	<b>0</b>	<b>0</b>	<b>0</b>	<b>0</b>	<b>377</b>	<b>6</b>	<b>0</b>	<b>383</b>	<b>890</b>	
Total Volume	15	0	20	0	35	37	2070	0	25	2132	0	0	0	0	0	1629	23	0	1652	3819	
% App. Total	42.9	0	57.1	0		1.7	97.1	0	1.2		0	0	0	0		98.6	1.4	0			
PHF	.750	.000	.833	.000	.875	.712	.911	.000	.625	.917	.000	.000	.000	.000	.000	.880	.639	.000	.879	.904	



City: DANA POINT  
 N-S Direction: DOHENY PARK PLAZA  
 E-W Direction: PACIFIC COAST HIGHWAY

File Name : H2001016  
 Site Code : 0000000  
 Start Date : 1/15/2020  
 Page No : 3

Start Time	DOHENY PARK PLAZA Southbound					PACIFIC COAST HIGHWAY Westbound					DEAD END Northbound					PACIFIC COAST HIGHWAY Eastbound					Int. Total
	Right	Thru	Left	U-Turns	App. Total	Right	Thru	Left	U-Turns	App. Total	Right	Thru	Left	U-Turns	App. Total	Right	Thru	Left	U-Turns	App. Total	
Peak Hour Analysis From 16:00 to 17:45 - Peak 1 of 1																					
Peak Hour for Entire Intersection Begins at 16:30																					
16:30	10	0	2	0	12	7	489	0	8	504	0	0	0	0	0	0	420	11	1		
16:45	8	0	13	0	21	10	491	0	17	518	0	0	0	0	0	0	421	13	0	434	973
17:00	12	0	12	0	24	13	475	0	15	503	0	0	0	0	0	0	459	8	0	467	994
17:15	8	0	15			19	520	0	6	545	0	0	0	0	0	0	451	13	0	464	1032
Total Volume	38	0	42	0	80	49	1975	0	46	2070	0	0	0	0	0	0	1751	45	1	1797	3947
% App. Total	47.5	0	52.5	0		2.4	95.4	0	2.2		0	0	0	0	0	0	97.4	2.5	0.1		
PHF	.792	.000	.700	.000	.833	.645	.950	.000	.676	.950	.000	.000	.000	.000	.000	.000	.954	.865	.250	.962	.956



City: DANA POINT  
 N-S Direction: DOHENY PARK PLAZA  
 E-W Direction: PACIFIC COAST HIGHWAY

File Name : H2001016SAT  
 Site Code : 00000000  
 Start Date : 1/18/2020  
 Page No : 1

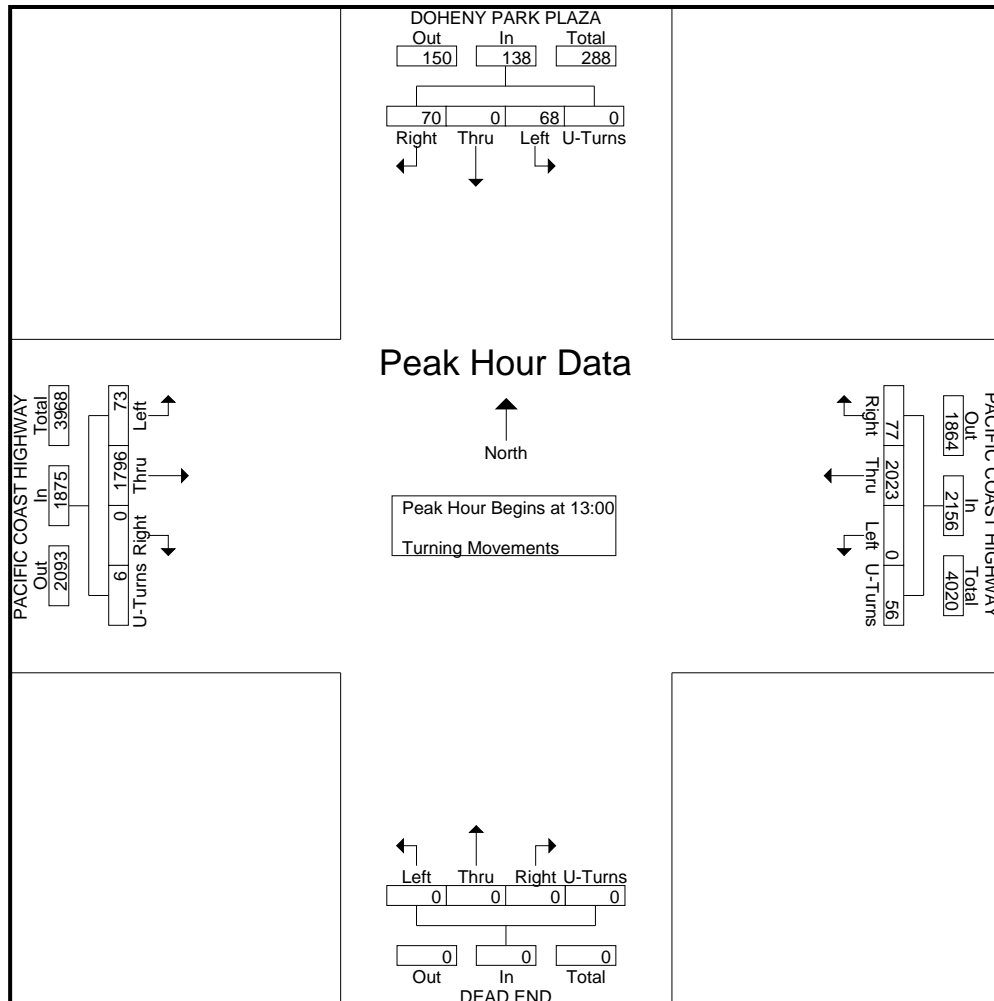
Groups Printed- Turning Movements

Start Time	DOHENY PARK PLAZA Southbound				PACIFIC COAST HIGHWAY Westbound				DEAD END Northbound				PACIFIC COAST HIGHWAY Eastbound				Int. Total
	Right	Thru	Left	U-Turns	Right	Thru	Left	U-Turns	Right	Thru	Left	U-Turns	Right	Thru	Left	U-Turns	
10:00	13	0	7	0	11	457	0	9	0	0	0	0	0	356	20	2	875
10:15	6	0	9	0	19	471	0	5	0	0	0	0	0	369	21	1	901
10:30	17	0	16	0	18	501	0	10	0	0	0	0	0	342	10	0	914
10:45	14	0	12	0	25	523	0	6	0	0	0	0	0	398	14	0	992
Total	50	0	44	0	73	1952	0	30	0	0	0	0	0	1465	65	3	3682
11:00	16	0	11	0	17	507	0	8	0	0	0	0	0	383	17	0	959
11:15	20	0	19	0	11	529	0	3	0	0	0	0	0	420	16	1	1019
11:30	25	0	13	0	11	536	0	8	0	0	0	0	0	338	13	1	945
11:45	12	0	15	0	12	549	0	7	0	0	0	0	0	437	23	4	1059
Total	73	0	58	0	51	2121	0	26	0	0	0	0	0	1578	69	6	3982
12:00	15	0	20	0	21	524	0	10	0	0	0	0	0	421	15	2	1028
12:15	14	0	20	0	18	483	0	9	0	0	0	0	0	424	31	0	999
12:30	12	0	10	0	23	531	0	10	0	0	0	0	0	456	19	0	1061
12:45	26	0	18	0	23	470	0	7	0	0	0	0	0	436	21	0	1001
Total	67	0	68	0	85	2008	0	36	0	0	0	0	0	1737	86	2	4089
13:00	14	0	15	0	11	531	0	13	0	0	0	0	0	466	27	1	1078
13:15	25	0	21	0	19	457	0	17	0	0	0	0	0	468	16	3	1026
13:30	16	0	16	0	24	508	0	16	0	0	0	0	0	443	16	1	1040
13:45	15	0	16	0	23	527	0	10	0	0	0	0	0	419	14	1	1025
Total	70	0	68	0	77	2023	0	56	0	0	0	0	0	1796	73	6	4169
Grand Total	260	0	238	0	286	8104	0	148	0	0	0	0	0	6576	293	17	15922
Apprch %	52.2	0	47.8	0	3.3	94.9	0	1.7	0	0	0	0	0	95.5	4.3	0.2	
Total %	1.6	0	1.5	0	1.8	50.9	0	0.9	0	0	0	0	0	41.3	1.8	0.1	

City: DANA POINT  
 N-S Direction: DOHENY PARK PLAZA  
 E-W Direction: PACIFIC COAST HIGHWAY

File Name : H2001016SAT  
 Site Code : 00000000  
 Start Date : 1/18/2020  
 Page No : 2

Start Time	DOHENY PARK PLAZA Southbound					PACIFIC COAST HIGHWAY Westbound					DEAD END Northbound					PACIFIC COAST HIGHWAY Eastbound					Int. Total
	Right	Thru	Left	U-Turns	App. Total	Right	Thru	Left	U-Turns	App. Total	Right	Thru	Left	U-Turns	App. Total	Right	Thru	Left	U-Turns	App. Total	
Peak Hour Analysis From 10:00 to 13:45 - Peak 1 of 1																					
Peak Hour for Entire Intersection Begins at 13:00																					
13:00	14	0	15	0	29	11	531	0	13	555	0	0	0	0	0	0	466	27	494	1078	
13:15	25	0	21	0	46	19	457	0	17	476	0	0	0	0	0	0	468	16	3	484	
13:30	16	0	16	0	32	24	508	0	16	524	0	0	0	0	0	0	443	16	1	460	
13:45	15	0	16	0	31	23	527	0	10	537	0	0	0	0	0	0	419	14	1	434	
Total Volume	70	0	68	0	138	77	2023	0	56	2156	0	0	0	0	0	0	1796	73	6	1875	
% App. Total	50.7	0	49.3	0		3.6	93.8	0	2.6		0	0	0	0	0	0	95.8	3.9	0.3		
PHF	.700	.000	.810	.000	.750	.802	.952	.000	.824	.963	.000	.000	.000	.000	.000	.000	.959	.676	.500	.949	



City: DANA POINT  
 N-S Direction: DEL OBISPO STREET  
 E-W Direction: PACIFIC COAST HIGHWAY

File Name : H1912007  
 Site Code : 00000000  
 Start Date : 12/5/2019  
 Page No : 1

Groups Printed- Turning Movements

Start Time	DEL OBISPO STREET Southbound				PACIFIC COAST HIGHWAY Westbound				DEL OBISPO STREET Northbound				PACIFIC COAST HIGHWAY Eastbound				Int. Total
	Right	Thru	Left	U Turns	Right	Thru	Left	U Turns	Right	Thru	Left	U Turns	Right	Thru	Left	U Turns	
07:00	19	22	46	1	42	240	46	0	31	12	4	0	11	146	6	0	626
07:15	28	19	79	2	81	292	53	0	27	12	3	0	12	204	12	1	825
07:30	28	20	99	2	75	439	56	0	31	5	4	0	13	210	15	0	997
07:45	24	35	112	1	54	344	109	0	46	13	6	0	14	269	19	1	1047
Total	99	96	336	6	252	1315	264	0	135	42	17	0	50	829	52	2	3495
08:00	27	21	83	2	60	348	80	0	60	16	7	0	19	295	16	1	1035
08:15	25	29	99	0	66	305	81	0	49	18	5	1	15	232	27	1	953
08:30	23	27	62	2	58	334	82	0	53	13	7	1	21	213	11	0	907
08:45	24	24	82	2	54	281	85	0	54	17	6	0	20	182	17	2	850
Total	99	101	326	6	238	1268	328	0	216	64	25	2	75	922	71	4	3745
16:00	35	19	66	3	81	345	94	0	105	22	4	0	12	301	25	4	1116
16:15	31	17	77	4	77	354	98	0	105	33	8	0	12	275	34	0	1125
16:30	22	23	62	1	83	331	89	0	106	20	12	1	18	300	32	0	1100
16:45	41	22	76	0	78	347	117	0	90	20	8	0	10	260	26	1	1096
Total	129	81	281	8	319	1377	398	0	406	95	32	1	52	1136	117	5	4437
17:00	34	37	59	1	79	346	130	0	108	18	8	0	23	250	26	3	1122
17:15	34	24	74	0	124	339	97	0	103	27	10	0	20	275	27	1	1155
17:30	20	33	58	0	65	345	104	0	87	21	5	0	13	257	38	2	1048
17:45	28	22	44	0	77	295	88	0	74	20	10	0	16	230	33	3	940
Total	116	116	235	1	345	1325	419	0	372	86	33	0	72	1012	124	9	4265
Grand Total	443	394	1178	21	1154	5285	1409	0	1129	287	107	3	249	3899	364	20	15942
Apprch %	21.8	19.4	57.9	1	14.7	67.3	18	0	74	18.8	7	0.2	5.5	86	8	0.4	
Total %	2.8	2.5	7.4	0.1	7.2	33.2	8.8	0	7.1	1.8	0.7	0	1.6	24.5	2.3	0.1	

City: DANA POINT  
 N-S Direction: DEL OBISPO STREET  
 E-W Direction: PACIFIC COAST HIGHWAY

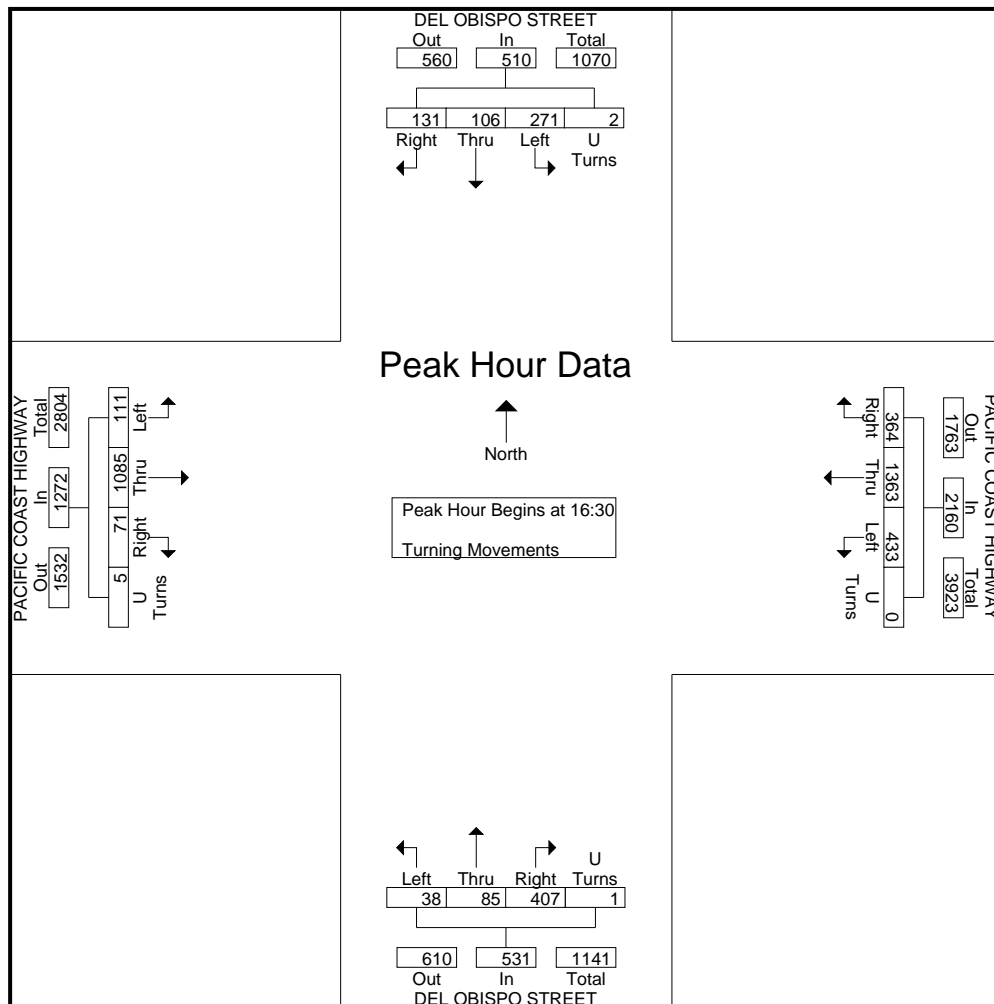
File Name : H1912007  
 Site Code : 00000000  
 Start Date : 12/5/2019  
 Page No : 2

Start Time	DEL OBISPO STREET Southbound					PACIFIC COAST HIGHWAY Westbound					DEL OBISPO STREET Northbound					PACIFIC COAST HIGHWAY Eastbound					Int. Total
	Right	Thru	Left	U Turns	App. Total	Right	Thru	Left	U Turns	App. Total	Right	Thru	Left	U Turns	App. Total	Right	Thru	Left	U Turns	App. Total	
Peak Hour Analysis From 07:00 to 08:45 - Peak 1 of 1																					
Peak Hour for Entire Intersection Begins at 07:30																					
07:30	<b>28</b>			<b>2</b>		<b>75</b>	<b>439</b>	56	0	<b>570</b>	31	5	4	0	40	13	210	15	0	238	997
07:45	24	<b>35</b>	<b>112</b>		<b>172</b>	54	344	<b>109</b>			60		<b>7</b>		<b>83</b>	<b>19</b>	<b>295</b>	16	<b>1</b>	<b>331</b>	<b>1047</b>
08:00	27	21	83	2	133	60	348	80	0	488	<b>60</b>		<b>7</b>		<b>83</b>	<b>19</b>	<b>295</b>	16	<b>1</b>	<b>331</b>	1035
08:15	25	29	99	0	153	66	305	81	0	452	49	<b>18</b>	5	<b>1</b>					<b>27</b>		
Total Volume	104	105	393	5	607	255	1436	326	0	2017	186	52	22	1	261	61	1006	77	3	1147	4032
% App. Total	17.1	17.3	64.7	0.8		12.6	71.2	16.2	0		71.3	19.9	8.4	0.4		5.3	87.7	6.7	0.3		
PHF	.929	.750	.877	.625	.882	.850	.818	.748	.000	.885	.775	.722	.786	.250	.786	.803	.853	.713	.750	.866	.963

City: DANA POINT  
 N-S Direction: DEL OBISPO STREET  
 E-W Direction: PACIFIC COAST HIGHWAY

File Name : H1912007  
 Site Code : 00000000  
 Start Date : 12/5/2019  
 Page No : 3

Start Time	DEL OBISPO STREET Southbound					PACIFIC COAST HIGHWAY Westbound					DEL OBISPO STREET Northbound					PACIFIC COAST HIGHWAY Eastbound					Int. Total
	Right	Thru	Left	U Turns	App. Total	Right	Thru	Left	U Turns	App. Total	Right	Thru	Left	U Turns	App. Total	Right	Thru	Left	U Turns	App. Total	
Peak Hour Analysis From 16:00 to 17:45 - Peak 1 of 1																					
Peak Hour for Entire Intersection Begins at 16:30																					
16:30	22	23	62	1																	
16:45	41		76		139	78	347	117	0	542	90	20	12	1	118	10	300	32	1	350	1100
17:00	34	37	59	1	131	79	346	130			108					23			3		1096
17:15	34	24	74	0	132	124	339	97	0	560	103	27	10	0	140	20	275	27	1	323	1155
Total Volume	131	106	271	2	510	364	1363	433	0	2160	407	85	38	1	531	71	1085	111	5	1272	4473
% App. Total	25.7	20.8	53.1	0.4		16.9	63.1	20	0		76.6	16	7.2	0.2		5.6	85.3	8.7	0.4		
PHF	.799	.716	.891	.500	.917	.734	.982	.833	.000	.964	.942	.787	.792	.250	.948	.772	.904	.867	.417	.909	.968



City: DANA POINT  
 N-S Direction: DEL OBISPO STREET  
 E-W Direction: PACIFIC COAST HIGHWAY

File Name : H1912018  
 Site Code : 00000000  
 Start Date : 12/7/2019  
 Page No : 1

Groups Printed- Turning Movements

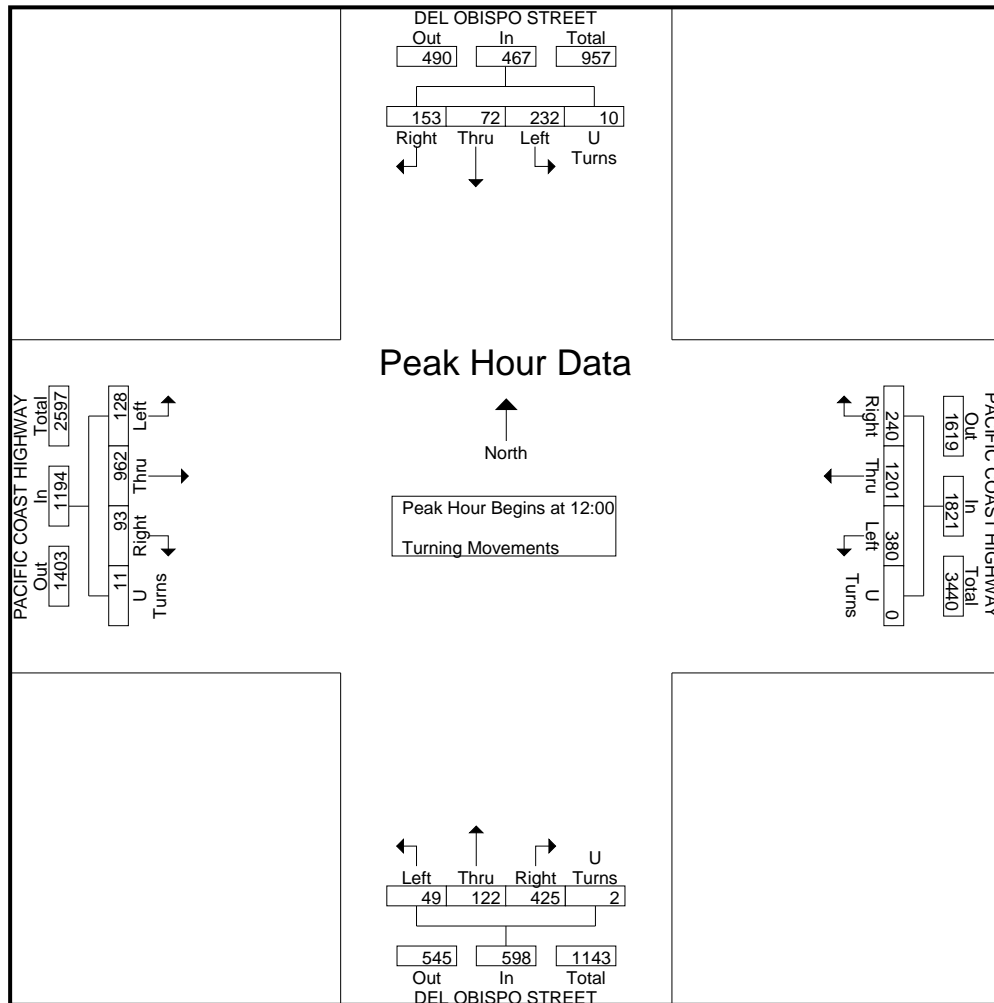
Start Time	DEL OBISPO STREET Southbound				PACIFIC COAST HIGHWAY Westbound				DEL OBISPO STREET Northbound				PACIFIC COAST HIGHWAY Eastbound				Int. Total
	Right	Thru	Left	U Turns	Right	Thru	Left	U Turns	Right	Thru	Left	U Turns	Right	Thru	Left	U Turns	
10:00	29	26	34	2	56	249	105	0	63	15	7	0	17	211	23	1	838
10:15	31	19	61	2	49	257	100	0	90	21	8	0	9	218	25	2	892
10:30	41	29	52	5	51	280	102	0	109	17	9	0	13	221	29	2	960
10:45	40	31	85	2	55	292	99	0	86	39	10	0	23	228	24	2	1016
Total	141	105	232	11	211	1078	406	0	348	92	34	0	62	878	101	7	3706
11:00	32	26	54	2	70	289	116	1	82	32	10	0	19	247	24	0	1004
11:15	30	29	72	2	55	255	105	0	99	31	16	0	18	211	26	3	952
11:30	31	15	53	2	67	277	106	0	95	29	6	0	23	265	37	0	1006
11:45	31	32	74	1	68	282	95	0	92	31	14	0	22	213	20	4	979
Total	124	102	253	7	260	1103	422	1	368	123	46	0	82	936	107	7	3941
12:00	27	16	65	1	66	296	105	0	106	29	13	0	18	252	37	2	1033
12:15	46	27	71	0	46	290	89	0	113	30	14	0	19	212	28	4	989
12:30	39	14	41	3	69	310	89	0	102	25	9	2	30	263	36	3	1035
12:45	41	15	55	6	59	305	97	0	104	38	13	0	26	235	27	2	1023
Total	153	72	232	10	240	1201	380	0	425	122	49	2	93	962	128	11	4080
13:00	39	16	65	1	58	281	104	0	114	31	14	0	24	248	22	2	1019
13:15	30	27	56	2	60	289	85	0	125	21	14	0	22	220	27	0	978
13:30	39	20	50	3	62	274	106	0	112	24	12	0	23	268	28	1	1022
13:45	44	15	67	0	61	280	93	0	96	21	10	0	23	265	31	1	1007
Total	152	78	238	6	241	1124	388	0	447	97	50	0	92	1001	108	4	4026
Grand Total	570	357	955	34	952	4506	1596	1	1588	434	179	2	329	3777	444	29	15753
Apprch %	29.7	18.6	49.8	1.8	13.5	63.9	22.6	0	72.1	19.7	8.1	0.1	7.2	82.5	9.7	0.6	
Total %	3.6	2.3	6.1	0.2	6	28.6	10.1	0	10.1	2.8	1.1	0	2.1	24	2.8	0.2	



City: DANA POINT  
 N-S Direction: DEL OBISPO STREET  
 E-W Direction: PACIFIC COAST HIGHWAY

File Name : H1912018  
 Site Code : 0000000  
 Start Date : 12/7/2019  
 Page No : 2

Start Time	DEL OBISPO STREET Southbound					PACIFIC COAST HIGHWAY Westbound					DEL OBISPO STREET Northbound					PACIFIC COAST HIGHWAY Eastbound					Int. Total
	Right	Thru	Left	U Turns	App. Total	Right	Thru	Left	U Turns	App. Total	Right	Thru	Left	U Turns	App. Total	Right	Thru	Left	U Turns	App. Total	
Peak Hour Analysis From 10:00 to 13:45 - Peak 1 of 1																					
Peak Hour for Entire Intersection Begins at 12:00																					
12:00	27	16	65	1	109	66	296	105			113	30	14	0	157			37			
12:15	46	27	71	0	144	46	290	89	0	425	102	25	9	2	138	30	263	36	3	332	1035
12:30	39	14	41	3	97	69	310	89	0	468											
12:45	41	15	55	6								38	13	0	155	26	235	27	2	290	1023
Total Volume	153	72	232	10	467	240	1201	380	0	1821	425	122	49	2	598	93	962	128	11	1194	4080
% App. Total	32.8	15.4	49.7	2.1		13.2	66	20.9	0		71.1	20.4	8.2	0.3		7.8	80.6	10.7	0.9		
PHF	.832	.667	.817	.417	.811	.870	.969	.905	.000	.973	.940	.803	.875	.250	.952	.775	.914	.865	.688	.899	.986



City: DANA POINT  
 N-S Direction: DEL OBISPO STREET  
 E-W Direction: STONEHILL DRIVE

File Name : H2001017  
 Site Code : 00000000  
 Start Date : 1/15/2020  
 Page No : 1

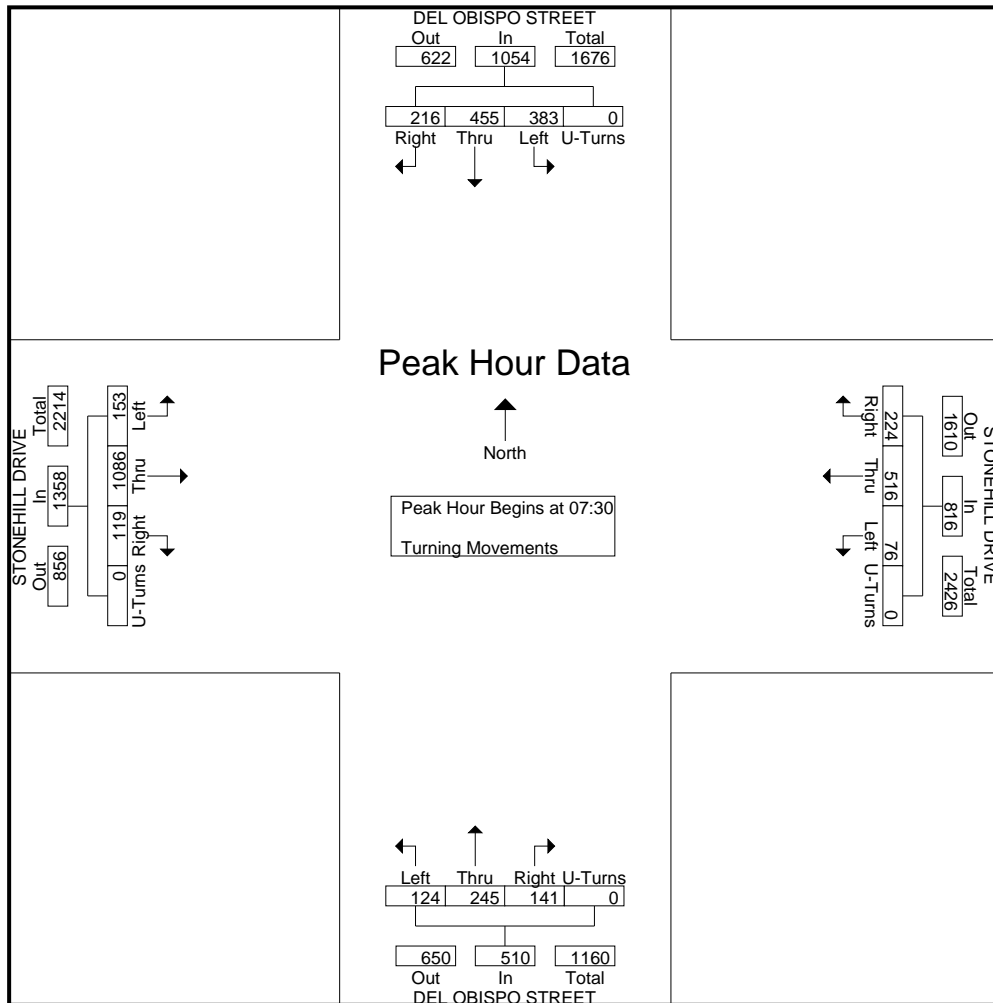
Groups Printed- Turning Movements

Start Time	DEL OBISPO STREET Southbound				STONEHILL DRIVE Westbound				DEL OBISPO STREET Northbound				STONEHILL DRIVE Eastbound				Int. Total
	Right	Thru	Left	U-Turns	Right	Thru	Left	U-Turns	Right	Thru	Left	U-Turns	Right	Thru	Left	U-Turns	
07:00	16	50	68	0	35	78	22	0	19	21	19	0	11	216	10	0	565
07:15	45	74	89	0	47	114	10	0	31	69	15	0	23	227	23	0	767
07:30	80	123	115	0	66	160	15	0	43	78	43	0	21	261	27	0	1032
07:45	71	119	100	0	57	132	22	0	35	60	35	0	43	297	55	0	1026
Total	212	366	372	0	205	484	69	0	128	228	112	0	98	1001	115	0	3390
08:00	34	109	98	0	53	109	23	0	32	58	22	0	32	287	29	0	886
08:15	31	104	70	0	48	115	16	0	31	49	24	0	23	241	42	0	794
08:30	31	101	100	0	41	109	27	0	20	51	17	0	24	230	30	0	781
08:45	32	54	79	0	63	99	22	0	41	75	28	0	34	239	34	0	800
Total	128	368	347	0	205	432	88	0	124	233	91	0	113	997	135	0	3261
16:00	28	65	70	0	91	214	33	0	38	79	34	0	31	249	25	0	957
16:15	24	88	78	0	114	166	39	0	34	68	42	0	25	210	33	0	921
16:30	26	65	68	0	93	209	42	0	44	74	28	0	29	211	33	0	922
16:45	32	80	82	0	104	194	37	0	35	65	35	0	19	202	34	0	919
Total	110	298	298	0	402	783	151	0	151	286	139	0	104	872	125	0	3719
17:00	23	75	54	0	116	222	38	0	39	63	31	0	21	245	35	0	962
17:15	28	86	80	0	107	220	32	0	38	66	49	0	24	202	29	0	961
17:30	20	62	51	0	82	206	32	0	29	66	34	0	23	218	33	0	856
17:45	24	70	55	0	91	174	24	0	36	65	40	0	19	173	39	0	810
Total	95	293	240	0	396	822	126	0	142	260	154	0	87	838	136	0	3589
Grand Total	545	1325	1257	0	1208	2521	434	0	545	1007	496	0	402	3708	511	0	13959
Apprch %	17.4	42.4	40.2	0	29	60.6	10.4	0	26.6	49.2	24.2	0	8.7	80.2	11.1	0	
Total %	3.9	9.5	9	0	8.7	18.1	3.1	0	3.9	7.2	3.6	0	2.9	26.6	3.7	0	

City: DANA POINT  
 N-S Direction: DEL OBISPO STREET  
 E-W Direction: STONEHILL DRIVE

File Name : H2001017  
 Site Code : 00000000  
 Start Date : 1/15/2020  
 Page No : 2

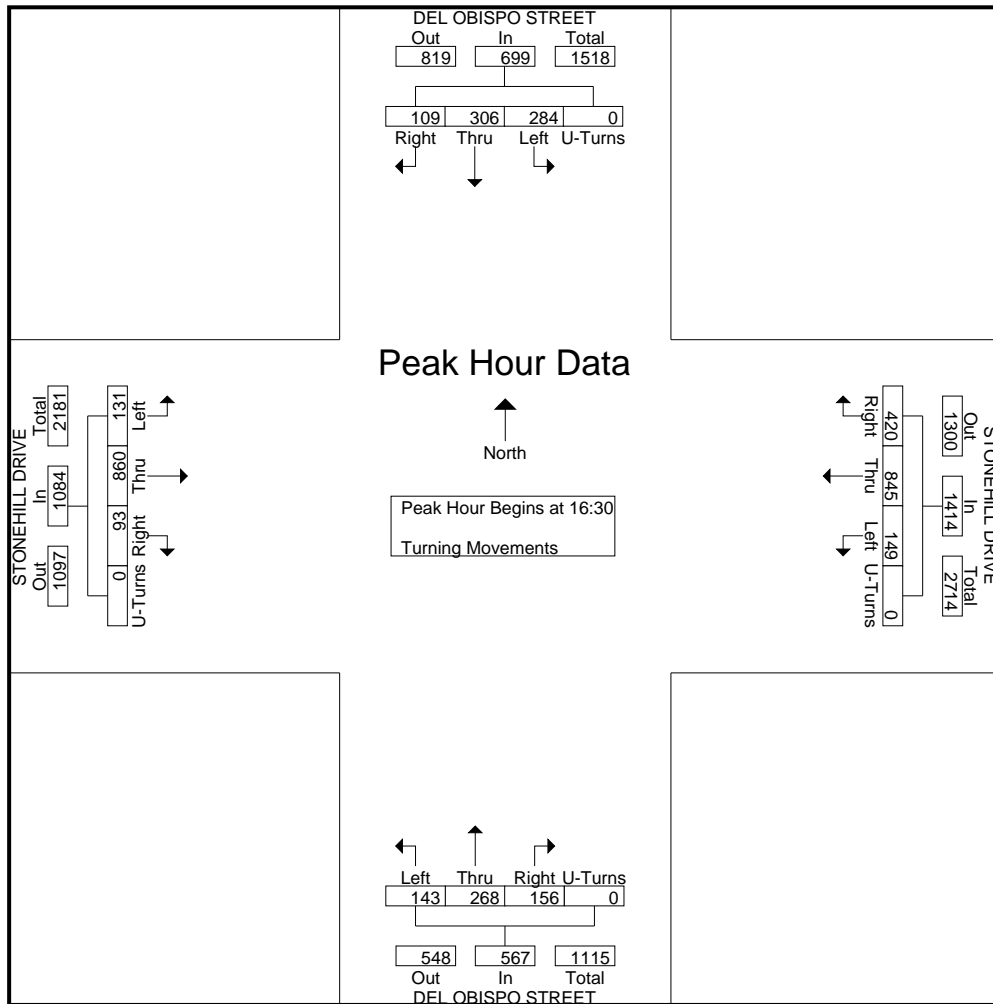
Start Time	DEL OBISPO STREET Southbound					STONEHILL DRIVE Westbound					DEL OBISPO STREET Northbound					STONEHILL DRIVE Eastbound					Int. Total
	Right	Thru	Left	U-Turns	App. Total	Right	Thru	Left	U-Turns	App. Total	Right	Thru	Left	U-Turns	App. Total	Right	Thru	Left	U-Turns	App. Total	
Peak Hour Analysis From 07:00 to 08:45 - Peak 1 of 1																					
Peak Hour for Entire Intersection Begins at 07:30																					
07:30	80	123	115	0	318	66	160	15	0	241	43	78	43	0	164	21	261	27	0	309	1032
07:45	71	119	100	0	290	57	132	22	0	211	35	60	35	0	130	43	297	55	0	395	1026
08:00	34	109	98	0	241	53	109	23	0	179	31	49	24	0	104	23	241	42	0	306	794
<b>08:15</b>	<b>31</b>	<b>104</b>	<b>70</b>	<b>0</b>	<b>205</b>	<b>48</b>	<b>115</b>	<b>16</b>	<b>0</b>	<b>179</b>	<b>31</b>	<b>49</b>	<b>24</b>	<b>0</b>	<b>104</b>	<b>23</b>	<b>241</b>	<b>42</b>	<b>0</b>	<b>306</b>	<b>794</b>
Total Volume	216	455	383	0	1054	224	516	76	0	816	141	245	124	0	510	119	1086	153	0	1358	3738
% App. Total	20.5	43.2	36.3	0		27.5	63.2	9.3	0		27.6	48	24.3	0		8.8	80	11.3	0		
PHF	.675	.925	.833	.000	.829	.848	.806	.826	.000	.846	.820	.785	.721	.000	.777	.692	.914	.695	.000	.859	.906



City: DANA POINT  
 N-S Direction: DEL OBISPO STREET  
 E-W Direction: STONEHILL DRIVE

File Name : H2001017  
 Site Code : 0000000  
 Start Date : 1/15/2020  
 Page No : 3

Start Time	DEL OBISPO STREET Southbound					STONEHILL DRIVE Westbound					DEL OBISPO STREET Northbound					STONEHILL DRIVE Eastbound					Int. Total	
	Right	Thru	Left	U-Turns	App. Total	Right	Thru	Left	U-Turns	App. Total	Right	Thru	Left	U-Turns	App. Total	Right	Thru	Left	U-Turns	App. Total		
Peak Hour Analysis From 16:00 to 17:45 - Peak 1 of 1																						
Peak Hour for Entire Intersection Begins at 16:30																						
16:30	26	65	68	0	159	93	209	42	0	335	44	74	28	0	146	29	19	202	34	0	255	919
16:45	32	80	82	0	194	104	194	37	0	335	35	65	35	0	135	19	202	34	0	255	919	
17:00	23	75	54	0	152	116	222	38	0	376	39	63	31	0	133	21	245	35	0	301	962	
17:15	28	86	80	0	194	107	220	32	0	359	38	66	49	0	153	24	202	29	0	255	961	
Total Volume	109	306	284	0	699	420	845	149	0	1414	156	268	143	0	567	93	860	131	0	1084	3764	
% App. Total	15.6	43.8	40.6	0		29.7	59.8	10.5	0		27.5	47.3	25.2	0		8.6	79.3	12.1	0			
PHF	.852	.890	.866	.000	.901	.905	.952	.887	.000	.940	.886	.905	.730	.000	.926	.802	.878	.936	.000	.900	.978	



City: DANA POINT  
 N-S Direction: DEL OBISPO STREET  
 E-W Direction: STONEHILL DRIVE

File Name : H2001017SAT  
 Site Code : 00000000  
 Start Date : 1/18/2020  
 Page No : 1

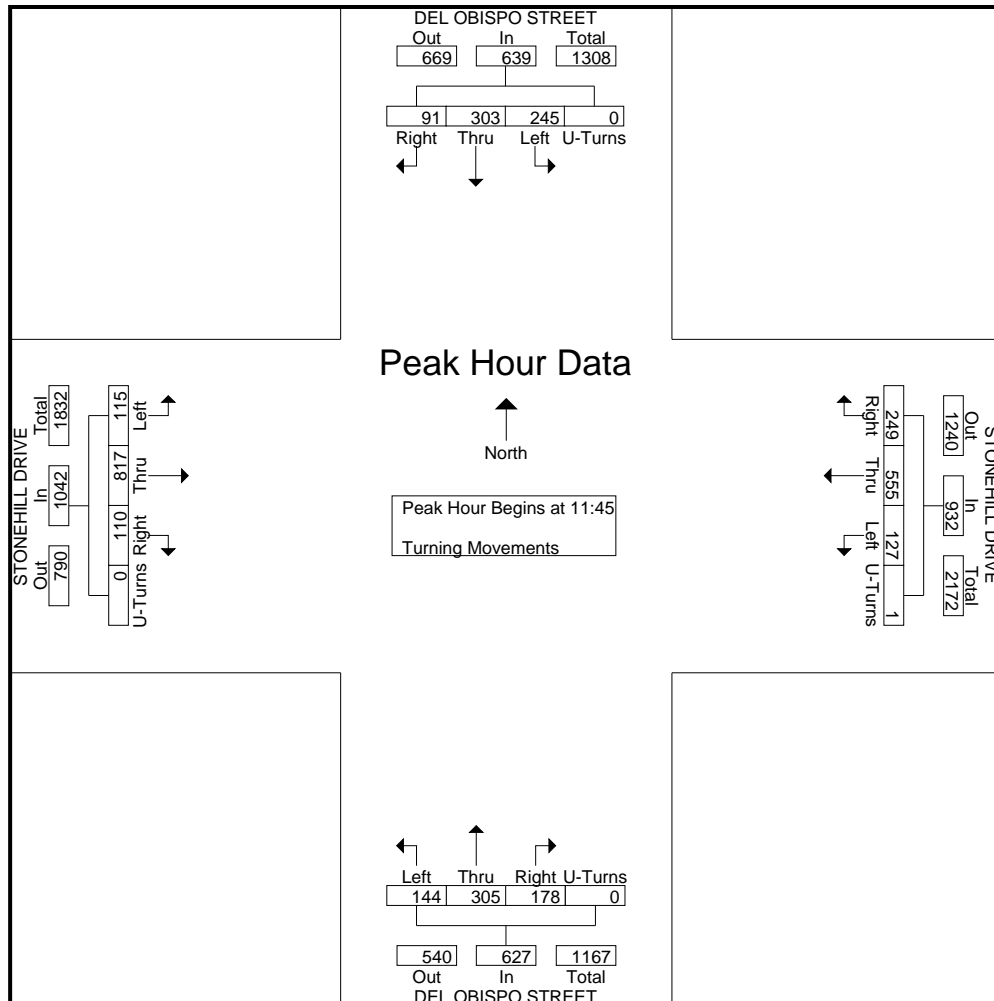
Groups Printed- Turning Movements

Start Time	DEL OBISPO STREET Southbound				STONEHILL DRIVE Westbound				DEL OBISPO STREET Northbound				STONEHILL DRIVE Eastbound				Int. Total
	Right	Thru	Left	U-Turns	Right	Thru	Left	U-Turns	Right	Thru	Left	U-Turns	Right	Thru	Left	U-Turns	
10:00	21	65	54	0	38	98	23	1	34	61	16	0	22	188	20	0	641
10:15	17	74	66	0	54	112	25	1	33	66	35	0	25	230	37	0	775
10:30	20	97	62	0	45	132	25	0	38	58	21	0	18	213	19	0	748
10:45	18	107	73	0	51	138	25	0	53	69	30	0	35	178	21	0	798
Total	76	343	255	0	188	480	98	2	158	254	102	0	100	809	97	0	2962
11:00	18	89	73	0	66	113	33	0	35	50	31	0	30	224	19	0	781
11:15	23	109	71	0	67	120	26	0	39	77	30	0	25	198	21	0	806
11:30	17	63	62	0	58	143	27	1	58	69	28	0	21	205	35	0	787
11:45	26	98	56	0	56	124	37	0	63	86	41	0	32	169	33	0	821
Total	84	359	262	0	247	500	123	1	195	282	130	0	108	796	108	0	3195
12:00	21	75	62	0	60	144	23	0	45	63	42	0	30	225	35	0	825
12:15	26	74	66	0	65	120	36	1	35	77	35	0	22	214	25	0	796
12:30	18	56	61	0	68	167	31	0	35	79	26	0	26	209	22	0	798
12:45	18	84	56	0	62	135	41	0	44	69	37	0	24	166	19	0	755
Total	83	289	245	0	255	566	131	1	159	288	140	0	102	814	101	0	3174
13:00	24	85	47	0	59	157	27	0	35	62	33	0	23	210	28	0	790
13:15	31	85	66	0	51	118	28	0	47	63	36	0	16	169	21	0	731
13:30	18	67	54	0	58	146	39	0	50	61	36	0	25	228	23	0	805
13:45	17	81	53	0	53	123	39	0	43	62	31	0	20	168	29	0	719
Total	90	318	220	0	221	544	133	0	175	248	136	0	84	775	101	0	3045
Grand Total	333	1309	982	0	911	2090	485	4	687	1072	508	0	394	3194	407	0	12376
Apprch %	12.7	49.9	37.4	0	26.1	59.9	13.9	0.1	30.3	47.3	22.4	0	9.9	79.9	10.2	0	
Total %	2.7	10.6	7.9	0	7.4	16.9	3.9	0	5.6	8.7	4.1	0	3.2	25.8	3.3	0	

City: DANA POINT  
 N-S Direction: DEL OBISPO STREET  
 E-W Direction: STONEHILL DRIVE

File Name : H2001017SAT  
 Site Code : 00000000  
 Start Date : 1/18/2020  
 Page No : 2

Start Time	DEL OBISPO STREET Southbound					STONEHILL DRIVE Westbound					DEL OBISPO STREET Northbound					STONEHILL DRIVE Eastbound					Int. Total
	Right	Thru	Left	U-Turns	App. Total	Right	Thru	Left	U-Turns	App. Total	Right	Thru	Left	U-Turns	App. Total	Right	Thru	Left	U-Turns	App. Total	
Peak Hour Analysis From 10:00 to 13:45 - Peak 1 of 1																					
Peak Hour for Entire Intersection Begins at 11:45																					
11:45	26	98	56	0	180	56	124	37	0	227	63	86	41	0	190	32	225	35	0	290	825
12:00	21	75	62	0	158	60	144	23	1	227	45	63	42	0	150	30	225	35	0	290	825
12:15	26	74	66	0	166	68	167	31	0	266	35	79	26	0	140	26	209	22	0	257	798
12:30	18	56	61	0	135	68	167	31	0	266	35	79	26	0	140	26	209	22	0	257	798
Total Volume	91	303	245	0	639	249	555	127	1	932	178	305	144	0	627	110	817	115	0	1042	3240
% App. Total	14.2	47.4	38.3	0		26.7	59.5	13.6	0.1		28.4	48.6	23	0		10.6	78.4	11	0		
PHF	.875	.773	.928	.000	.888	.915	.831	.858	.250	.876	.706	.887	.857	.000	.825	.859	.908	.821	.000	.898	.982



City: DANA POINT  
 N-S Direction: DOHENY PARK ROAD  
 E-W Direction: SMART & FINAL DRIVEWAY

File Name : H2001018  
 Site Code : 00000000  
 Start Date : 1/15/2020  
 Page No : 1

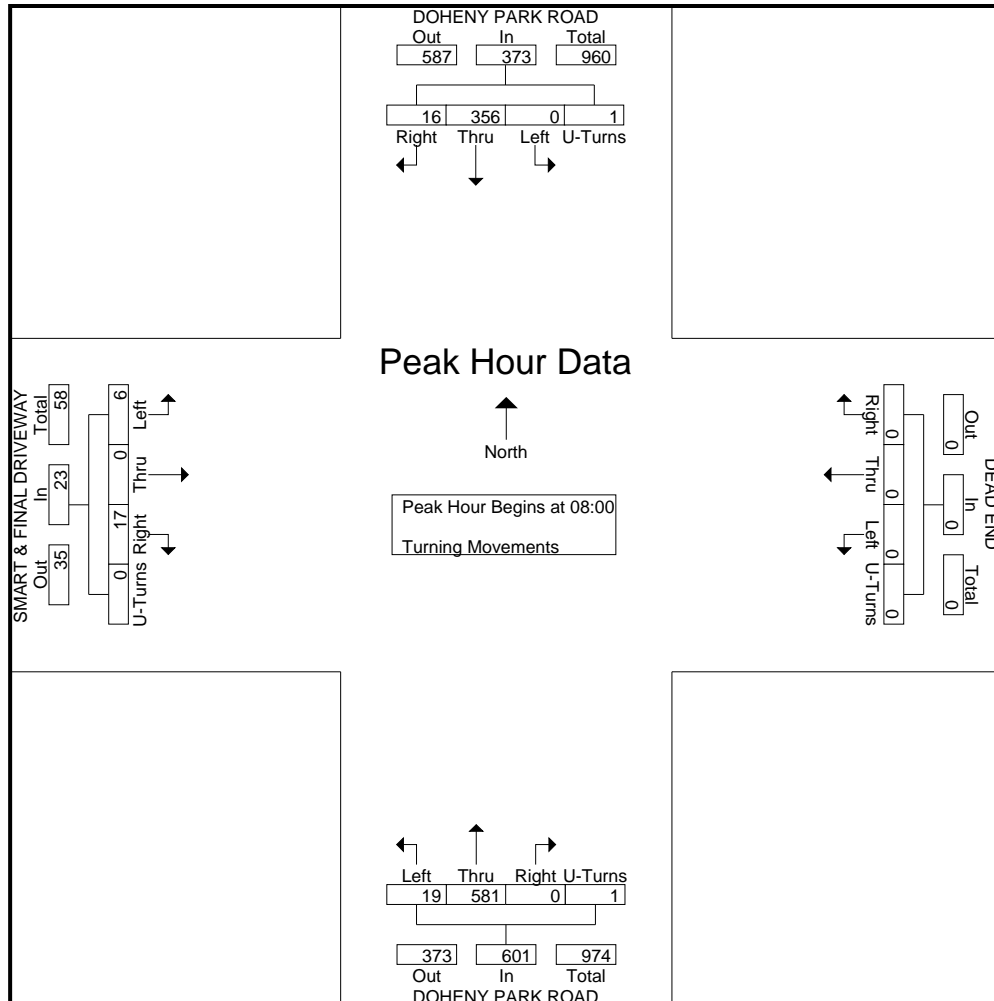
Groups Printed- Turning Movements

Start Time	DOHENY PARK ROAD Southbound				DEAD END Westbound				DOHENY PARK ROAD Northbound				SMART & FINAL DRIVEWAY Eastbound				Int. Total
	Right	Thru	Left	U-Turns	Right	Thru	Left	U-Turns	Right	Thru	Left	U-Turns	Right	Thru	Left	U-Turns	
07:00	2	74	0	0	0	0	0	0	0	104	1	0	0	0	1	0	182
07:15	3	82	0	0	0	0	0	0	0	127	5	0	1	0	2	0	220
07:30	2	76	0	0	0	0	0	0	0	117	3	1	0	0	2	0	201
07:45	6	91	0	0	0	0	0	0	0	138	4	0	0	0	3	0	242
Total	13	323	0	0	0	0	0	0	0	486	13	1	1	0	8	0	845
08:00	4	80	0	1	0	0	0	0	0	146	9	0	3	0	1	0	244
08:15	4	81	0	0	0	0	0	0	0	134	2	1	7	0	1	0	230
08:30	3	99	0	0	0	0	0	0	0	145	5	0	2	0	2	0	256
08:45	5	96	0	0	0	0	0	0	0	156	3	0	5	0	2	0	267
Total	16	356	0	1	0	0	0	0	0	581	19	1	17	0	6	0	997
16:00	12	184	0	1	0	0	0	0	0	244	6	0	12	0	6	0	465
16:15	10	169	0	0	0	0	0	0	0	212	9	1	15	0	6	0	422
16:30	5	203	0	0	0	0	0	0	0	221	9	1	12	0	4	0	455
16:45	11	193	0	1	0	0	0	0	0	206	6	0	12	0	3	0	432
Total	38	749	0	2	0	0	0	0	0	883	30	2	51	0	19	0	1774
17:00	7	163	0	0	0	0	0	0	0	250	8	0	20	0	6	0	454
17:15	12	177	0	0	0	0	0	0	0	235	8	0	19	0	5	0	456
17:30	11	179	0	0	0	0	0	0	0	186	4	0	5	0	4	0	389
17:45	8	155	0	0	0	0	0	0	0	176	1	0	12	0	5	0	357
Total	38	674	0	0	0	0	0	0	0	847	21	0	56	0	20	0	1656
Grand Total	105	2102	0	3	0	0	0	0	0	2797	83	4	125	0	53	0	5272
Apprch %	4.8	95.1	0	0.1	0	0	0	0	0	97	2.9	0.1	70.2	0	29.8	0	
Total %	2	39.9	0	0.1	0	0	0	0	0	53.1	1.6	0.1	2.4	0	1	0	

City: DANA POINT  
 N-S Direction: DOHENY PARK ROAD  
 E-W Direction: SMART & FINAL DRIVEWAY

File Name : H2001018  
 Site Code : 0000000  
 Start Date : 1/15/2020  
 Page No : 2

Start Time	DOHENY PARK ROAD Southbound					DEAD END Westbound					DOHENY PARK ROAD Northbound					SMART & FINAL DRIVEWAY Eastbound					Int. Total
	Right	Thru	Left	U-Turns	App. Total	Right	Thru	Left	U-Turns	App. Total	Right	Thru	Left	U-Turns	App. Total	Right	Thru	Left	U-Turns	App. Total	
Peak Hour Analysis From 07:00 to 08:45 - Peak 1 of 1																					
Peak Hour for Entire Intersection Begins at 08:00																					
08:00	4	80	0	1																	
08:15	4	81	0	0	85	0	0	0	0	0	0	134	2	1	137	7	0	1	0	8	230
08:30	3	99	0	0	102	0	0	0	0	0	0	145	5	0	150	2	0	2	0		
08:45	5	96	0	0	101	0	0	0	0	0	0	156	3	0	159	5	0	2	0	7	267
Total Volume	16	356	0	1	373	0	0	0	0	0	0	581	19	1	601	17	0	6	0	23	997
% App. Total	4.3	95.4	0	0.3		0	0	0	0	0	0	96.7	3.2	0.2		73.9	0	26.1	0		
PHF	.800	.899	.000	.250	.914	.000	.000	.000	.000	.000	.000	.931	.528	.250	.945	.607	.000	.750	.000	.719	.934



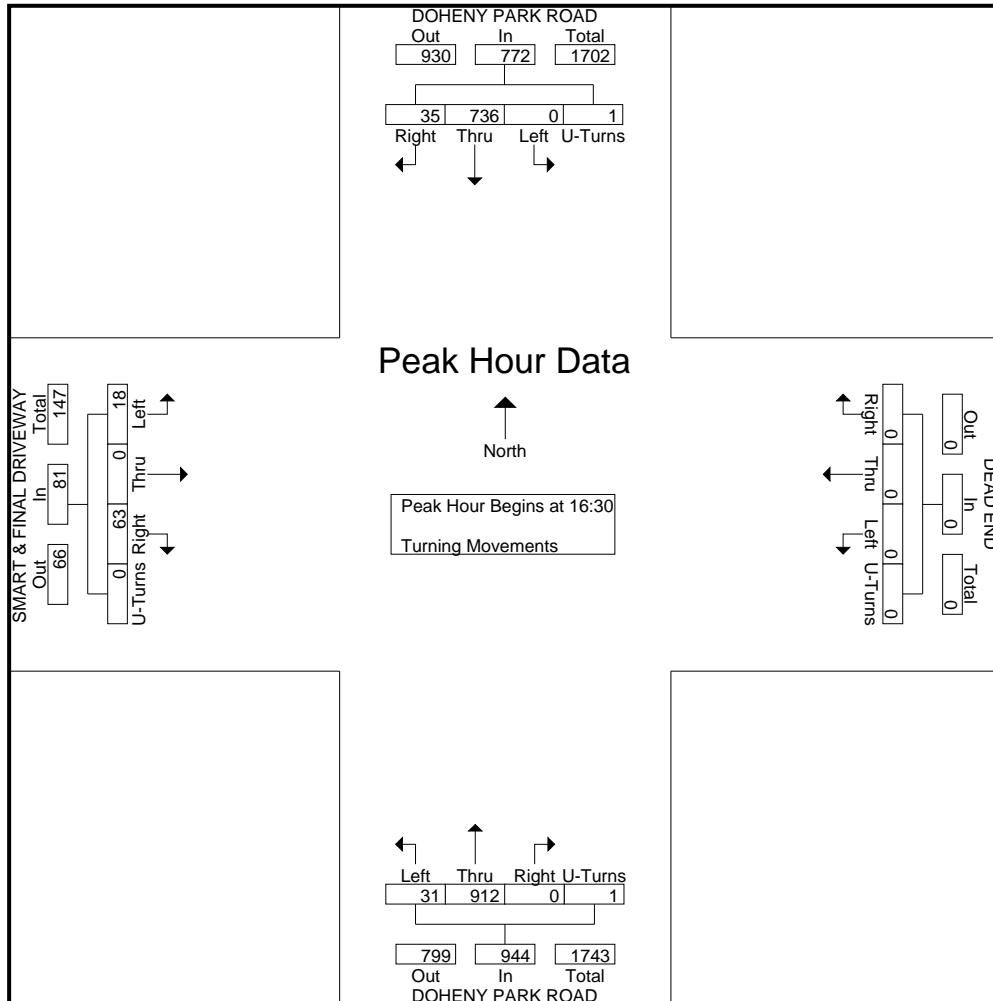


City: DANA POINT  
 N-S Direction: DOHENY PARK ROAD  
 E-W Direction: SMART & FINAL DRIVEWAY

File Name : H2001018  
 Site Code : 0000000  
 Start Date : 1/15/2020  
 Page No : 3

Start Time	DOHENY PARK ROAD Southbound					DEAD END Westbound					DOHENY PARK ROAD Northbound					SMART & FINAL DRIVEWAY Eastbound					Int. Total
	Right	Thru	Left	U-Turns	App. Total	Right	Thru	Left	U-Turns	App. Total	Right	Thru	Left	U-Turns	App. Total	Right	Thru	Left	U-Turns	App. Total	
16:30	5	203	0	0	208	0	0	0	0	0	0	221	9	1							
16:45	11	193	0	1	205	0	0	0	0	0	0	206	6	0	212	12	0	3	0	15	432
17:00	7	163	0	0	170	0	0	0	0	0	0	250	8	0	258	20	0	6	0	26	454
17:15	12																				456
Total Volume	35	736	0	1	772	0	0	0	0	0	0	912	31	1	944	63	0	18	0	81	1797
% App. Total	4.5	95.3	0	0.1		0	0	0	0		0	96.6	3.3	0.1		77.8	0	22.2	0		
PHF	.729	.906	.000	.250	.928	.000	.000	.000	.000	.000	.000	.912	.861	.250	.915	.788	.000	.750	.000	.779	.985

Peak Hour Analysis From 15:45 to 17:45 - Peak 1 of 1  
 Peak Hour for Entire Intersection Begins at 16:30



City: DANA POINT  
 N-S Direction: DOHENY PARK ROAD  
 E-W Direction: SMART & FINAL DRIVEWAY

File Name : H2001018SAT  
 Site Code : 00000000  
 Start Date : 1/18/2020  
 Page No : 1

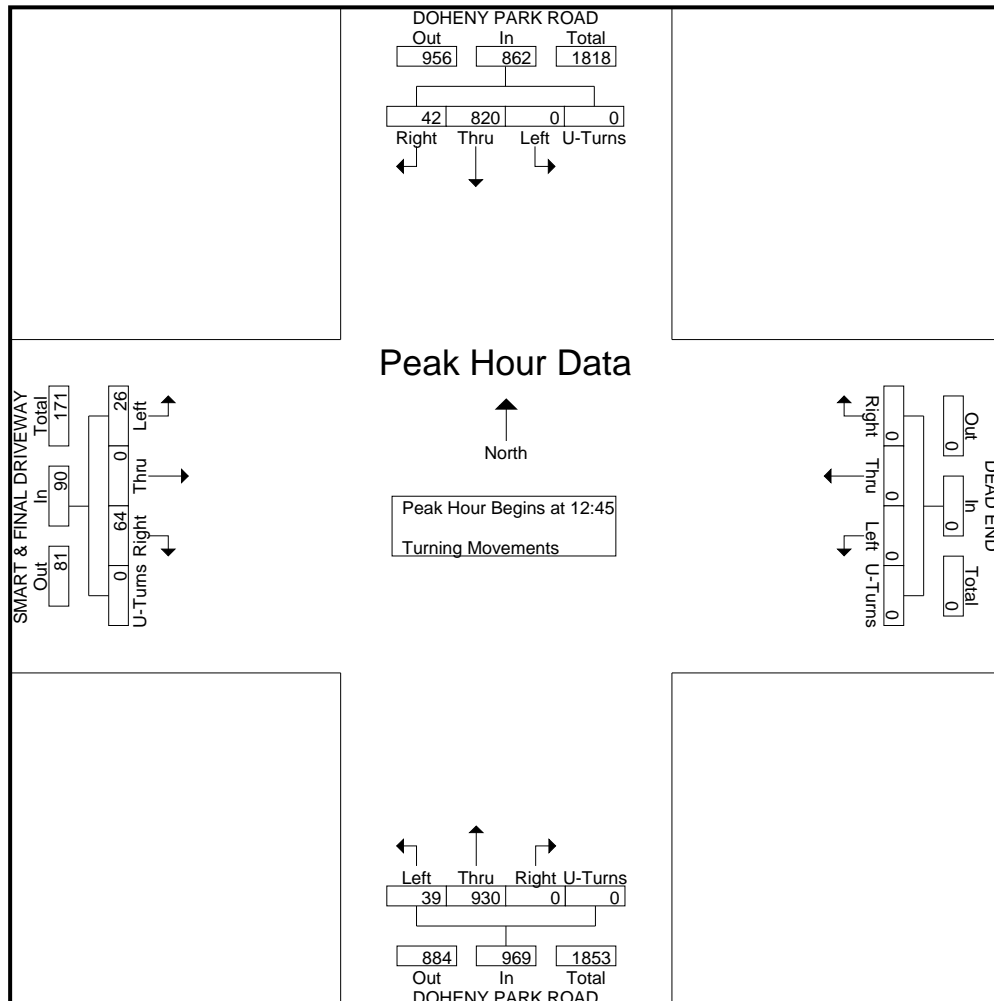
Groups Printed- Turning Movements

Start Time	DOHENY PARK ROAD Southbound				DEAD END Westbound				DOHENY PARK ROAD Northbound				SMART & FINAL DRIVEWAY Eastbound				Int. Total
	Right	Thru	Left	U-Turns	Right	Thru	Left	U-Turns	Right	Thru	Left	U-Turns	Right	Thru	Left	U-Turns	
10:00	9	146	0	0	0	0	0	0	0	186	4	0	14	0	0	0	359
10:15	13	146	0	0	0	0	0	0	0	187	5	0	9	0	7	0	367
10:30	6	177	0	0	0	0	0	0	0	222	4	0	7	0	5	0	421
10:45	10	155	0	0	0	0	0	0	0	248	10	2	11	0	4	0	440
Total	38	624	0	0	0	0	0	0	0	843	23	2	41	0	16	0	1587
11:00	9	152	0	0	0	0	0	0	0	244	9	0	9	0	6	0	429
11:15	17	183	0	1	0	0	0	0	0	249	8	0	12	0	5	0	475
11:30	7	166	0	0	0	0	0	0	0	266	11	0	14	0	5	0	469
11:45	8	166	0	0	0	0	0	0	0	247	12	0	12	0	7	0	452
Total	41	667	0	1	0	0	0	0	0	1006	40	0	47	0	23	0	1825
12:00	13	206	0	0	0	0	0	0	0	230	10	0	18	0	6	0	483
12:15	11	193	0	0	0	0	0	0	0	237	10	0	13	0	8	0	472
12:30	9	194	0	0	0	0	0	0	0	239	12	0	13	0	3	0	470
12:45	11	220	0	0	0	0	0	0	0	233	6	0	21	0	3	0	494
Total	44	813	0	0	0	0	0	0	0	939	38	0	65	0	20	0	1919
13:00	11	186	0	0	0	0	0	0	0	250	14	0	17	0	6	0	484
13:15	9	189	0	0	0	0	0	0	0	213	5	0	10	0	9	0	435
13:30	11	225	0	0	0	0	0	0	0	234	14	0	16	0	8	0	508
13:45	10	163	0	0	0	0	0	0	0	228	11	0	9	0	6	0	427
Total	41	763	0	0	0	0	0	0	0	925	44	0	52	0	29	0	1854
Grand Total	164	2867	0	1	0	0	0	0	0	3713	145	2	205	0	88	0	7185
Apprch %	5.4	94.6	0	0	0	0	0	0	0	96.2	3.8	0.1	70	0	30	0	
Total %	2.3	39.9	0	0	0	0	0	0	0	51.7	2	0	2.9	0	1.2	0	

City: DANA POINT  
 N-S Direction: DOHENY PARK ROAD  
 E-W Direction: SMART & FINAL DRIVEWAY

File Name : H2001018SAT  
 Site Code : 00000000  
 Start Date : 1/18/2020  
 Page No : 2

Start Time	DOHENY PARK ROAD Southbound					DEAD END Westbound					DOHENY PARK ROAD Northbound					SMART & FINAL DRIVEWAY Eastbound					Int. Total
	Right	Thru	Left	U-Turns	App. Total	Right	Thru	Left	U-Turns	App. Total	Right	Thru	Left	U-Turns	App. Total	Right	Thru	Left	U-Turns	App. Total	
Peak Hour Analysis From 10:00 to 13:45 - Peak 1 of 1																					
Peak Hour for Entire Intersection Begins at 12:45																					
12:45	11															21				24	494
13:00	11	186	0	0	197	0	0	0	0	0	0	250	14	264	17	0	6	0	23	484	
13:15	9	189	0	0	198	0	0	0	0	0	0	213	5	218	10	0	9	0			
<b>13:30</b>	<b>11</b>	<b>225</b>	<b>0</b>	<b>0</b>	<b>236</b>	<b>0</b>	<b>0</b>	<b>0</b>	<b>0</b>	<b>0</b>	<b>0</b>	<b>234</b>	<b>14</b>	<b>248</b>	<b>16</b>	<b>0</b>	<b>8</b>	<b>0</b>	<b>24</b>	<b>508</b>	
Total Volume	42	820	0	0	862	0	0	0	0	0	0	930	39	969	64	0	26	0	90	1921	
% App. Total	4.9	95.1	0	0		0	0	0	0		0	96	4		71.1	0	28.9	0			
PHF	.955	.911	.000	.000	.913	.000	.000	.000	.000	.000	.000	.930	.696	.918	.762	.000	.722	.000	.938	.945	



City: DANA POINT  
 N-S Direction: I-5 SB RAMPS  
 E-W Direction: CAMINO LAS RAMBLAS

File Name : H1912017  
 Site Code : 00000000  
 Start Date : 12/5/2019  
 Page No : 1

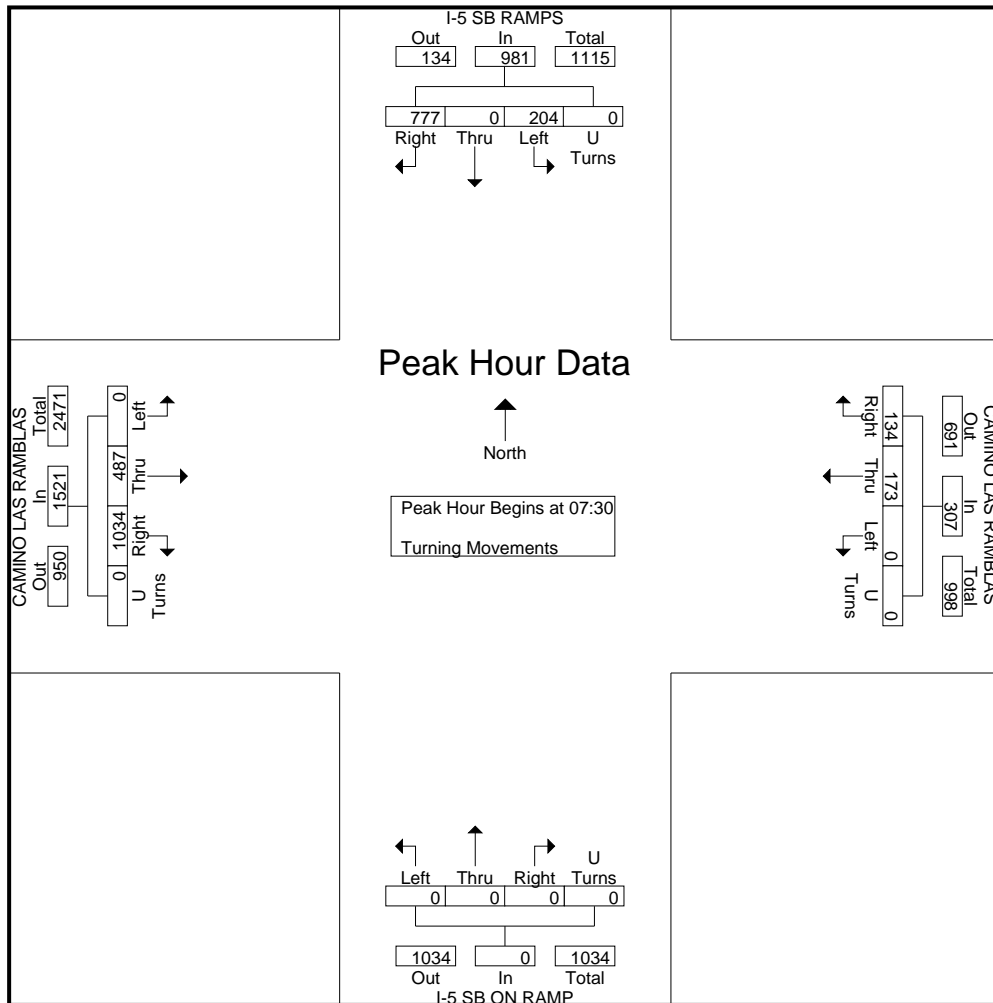
Groups Printed- Turning Movements

Start Time	I-5 SB RAMPS Southbound				CAMINO LAS RAMBLAS Westbound				I-5 SB ON RAMP Northbound				CAMINO LAS RAMBLAS Eastbound				Int. Total
	Right	Thru	Left	U Turns	Right	Thru	Left	U Turns	Right	Thru	Left	U Turns	Right	Thru	Left	U Turns	
07:00	113	0	40	0	28	29	0	0	0	0	0	0	164	68	0	0	442
07:15	155	0	48	0	37	39	0	0	0	0	0	0	197	93	0	0	569
07:30	200	0	45	0	45	48	0	0	0	0	0	0	233	101	0	0	672
07:45	222	0	56	0	31	51	0	0	0	0	0	0	269	132	0	0	761
Total	690	0	189	0	141	167	0	0	0	0	0	0	863	394	0	0	2444
08:00	171	0	59	0	25	43	0	0	0	0	0	0	270	165	0	0	733
08:15	184	0	44	0	33	31	0	0	0	0	0	0	262	89	0	0	643
08:30	147	0	38	0	28	34	0	0	0	0	0	0	211	100	0	0	558
08:45	169	0	58	0	32	30	0	0	0	0	0	0	224	89	0	0	602
Total	671	0	199	0	118	138	0	0	0	0	0	0	967	443	0	0	2536
16:00	202	0	71	0	25	40	0	0	0	0	0	0	383	131	0	0	852
16:15	203	0	78	0	24	31	0	0	0	0	0	0	316	127	0	0	779
16:30	192	0	85	0	19	31	0	0	0	0	0	0	347	139	0	0	813
16:45	215	0	73	0	20	40	0	0	0	0	0	0	309	136	0	0	793
Total	812	0	307	0	88	142	0	0	0	0	0	0	1355	533	0	0	3237
17:00	222	0	63	0	32	34	0	0	0	0	0	0	298	141	0	0	790
17:15	178	0	79	0	21	29	0	0	0	0	0	0	355	139	0	0	801
17:30	185	0	63	0	35	37	0	1	0	0	0	0	305	134	0	0	760
17:45	189	0	72	0	26	32	0	0	0	0	0	0	243	110	0	0	672
Total	774	0	277	0	114	132	0	1	0	0	0	0	1201	524	0	0	3023
Grand Total	2947	0	972	0	461	579	0	1	0	0	0	0	4386	1894	0	0	11240
Apprch %	75.2	0	24.8	0	44.3	55.6	0	0.1	0	0	0	0	69.8	30.2	0	0	
Total %	26.2	0	8.6	0	4.1	5.2	0	0	0	0	0	0	39	16.9	0	0	

City: DANA POINT  
 N-S Direction: I-5 SB RAMPS  
 E-W Direction: CAMINO LAS RAMBLAS

File Name : H1912017  
 Site Code : 00000000  
 Start Date : 12/5/2019  
 Page No : 2

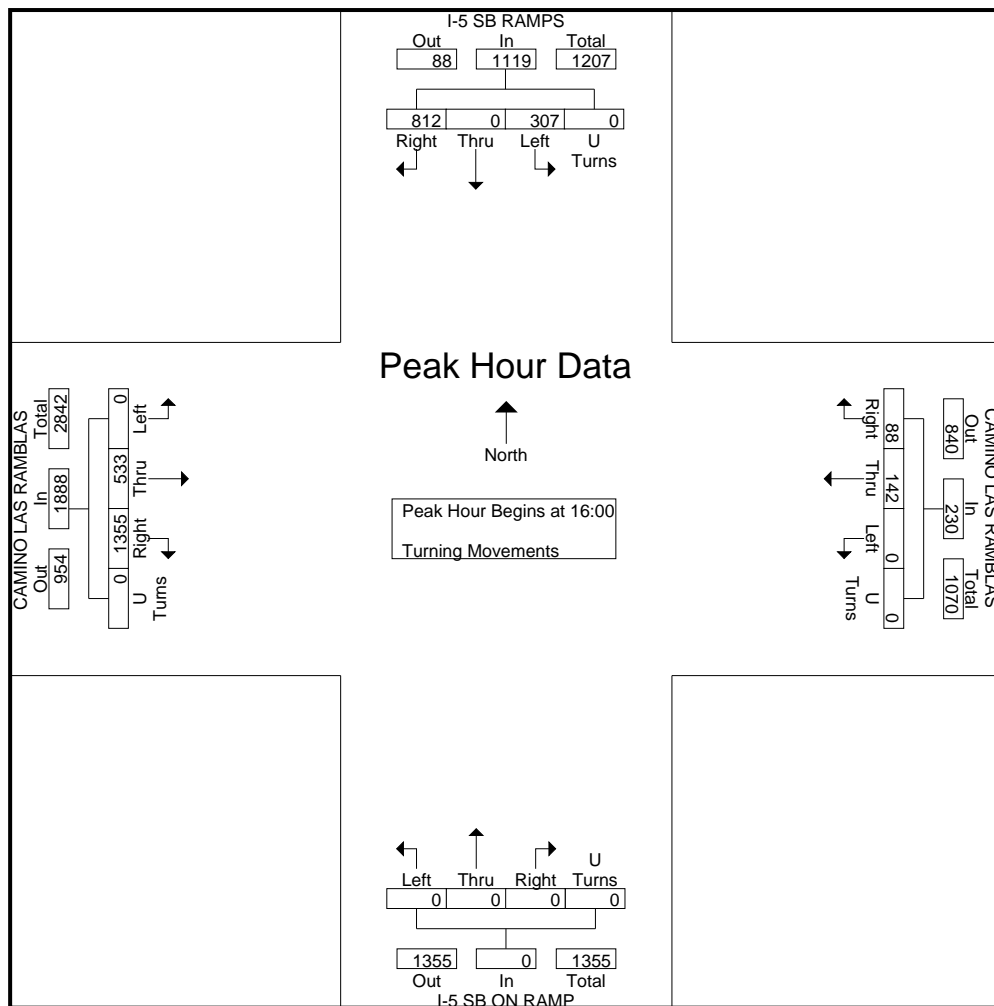
Start Time	I-5 SB RAMPS Southbound					CAMINO LAS RAMBLAS Westbound					I-5 SB ON RAMP Northbound					CAMINO LAS RAMBLAS Eastbound					Int. Total
	Right	Thru	Left	U Turns	App. Total	Right	Thru	Left	U Turns	App. Total	Right	Thru	Left	U Turns	App. Total	Right	Thru	Left	U Turns	App. Total	
Peak Hour Analysis From 07:00 to 08:45 - Peak 1 of 1																					
Peak Hour for Entire Intersection Begins at 07:30																					
07:30	200	0	45	0	245	45				93	0	0	0	0	0	233	101	0	0	334	672
07:45	222				278	31	51	0	0	82	0	0	0	0	0	269	132	0	0	401	761
08:00	171	0	59													270	165	0	0	435	733
08:15	184	0	44	0	228	33	31	0	0	64	0	0	0	0	0	262	89	0	0	351	643
Total Volume	777	0	204	0	981	134	173	0	0	307	0	0	0	0	0	1034	487	0	0	1521	2809
% App. Total	79.2		20.8			43.6	56.4														
PHF	.875	.000	.864	.000	.882	.744	.848	.000	.000	.825	.000	.000	.000	.000	.000	.957	.738	.000	.000	.874	.923



City: DANA POINT  
 N-S Direction: I-5 SB RAMPS  
 E-W Direction: CAMINO LAS RAMBLAS

File Name : H1912017  
 Site Code : 00000000  
 Start Date : 12/5/2019  
 Page No : 3

Start Time	I-5 SB RAMPS Southbound					CAMINO LAS RAMBLAS Westbound					I-5 SB ON RAMP Northbound					CAMINO LAS RAMBLAS Eastbound					Int. Total
	Right	Thru	Left	U Turns	App. Total	Right	Thru	Left	U Turns	App. Total	Right	Thru	Left	U Turns	App. Total	Right	Thru	Left	U Turns	App. Total	
Peak Hour Analysis From 16:00 to 17:45 - Peak 1 of 1																					
Peak Hour for Entire Intersection Begins at 16:00																					
16:00	202	0	71	0	273	25	40	0	0	65	0	0	0	0	0	383	127	0	0	514	852
16:15	203	0	78	0	281	24	31	0	0	55	0	0	0	0	0	316	127	0	0	443	779
16:30	192	0	85														139	0	0	486	813
16:45	215				288	20	40	0	0	60	0	0	0	0	0	309	136	0	0	445	793
Total Volume	812	0	307	0	1119	88	142	0	0	230	0	0	0	0	0	1355	533	0	0	1888	3237
% App. Total	72.6		27.4			38.3	61.7									71.8	28.2				
PHF	.944	.000	.903	.000	.971	.880	.888	.000	.000	.885	.000	.000	.000	.000	.000	.884	.959	.000	.000	.918	.950



City: DANA POINT  
 N-S Direction: I-5 SB RAMPS  
 E-W Direction: CAMINO LAS RAMBLAS

File Name : H1912028  
 Site Code : 00000000  
 Start Date : 12/7/2019  
 Page No : 1

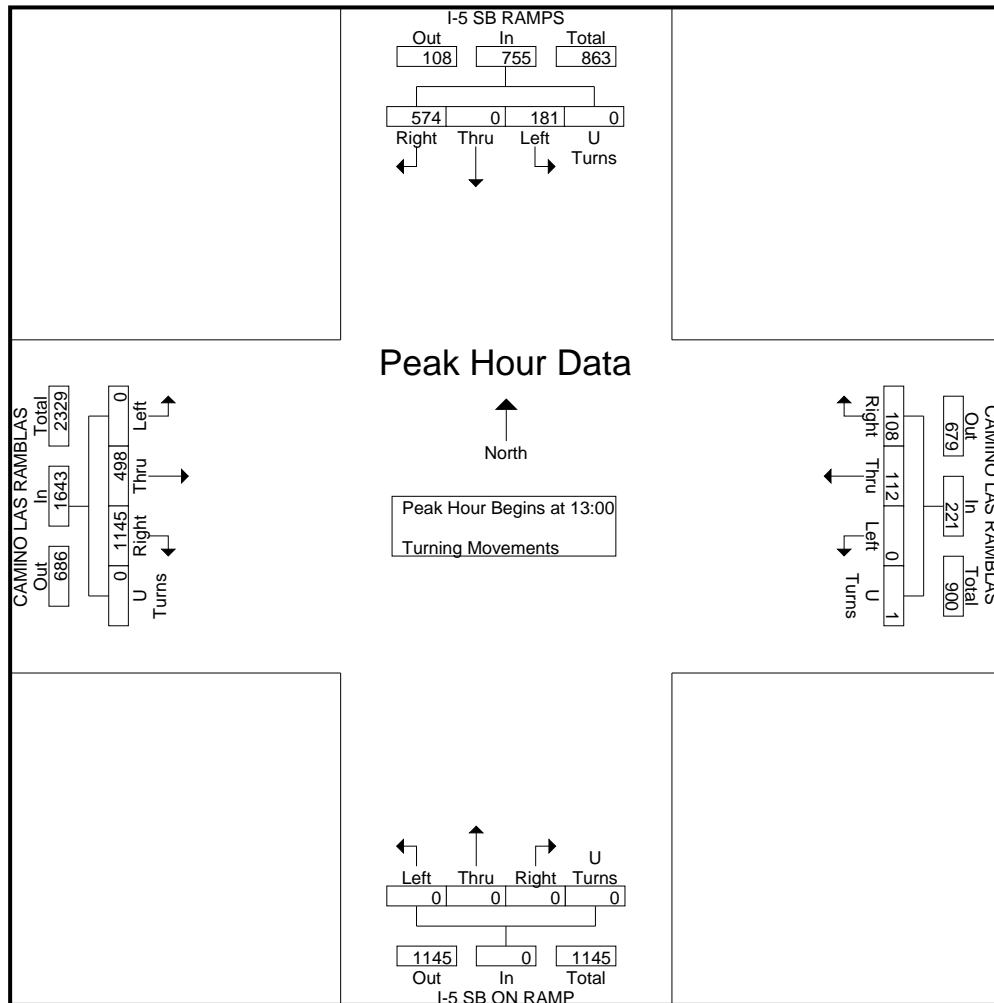
Groups Printed- Turning Movements

Start Time	I-5 SB RAMPS Southbound				CAMINO LAS RAMBLAS Westbound				I-5 SB ON RAMP Northbound				CAMINO LAS RAMBLAS Eastbound				Int. Total
	Right	Thru	Left	U Turns	Right	Thru	Left	U Turns	Right	Thru	Left	U Turns	Right	Thru	Left	U Turns	
10:00	135	0	30	0	18	32	0	0	0	0	0	0	236	87	0	0	538
10:15	136	0	46	0	31	51	0	0	0	0	0	0	263	100	0	1	628
10:30	140	0	33	0	32	33	0	0	0	0	0	0	256	121	0	0	615
10:45	138	0	31	0	28	36	0	0	0	0	0	0	281	116	0	0	630
Total	549	0	140	0	109	152	0	0	0	0	0	0	1036	424	0	1	2411
11:00	139	0	33	0	30	43	0	0	0	0	0	0	282	114	0	0	641
11:15	154	0	40	0	28	33	0	0	0	0	0	0	253	117	0	0	625
11:30	150	0	39	0	31	46	0	1	0	0	0	0	277	120	0	0	664
11:45	137	0	48	0	38	39	0	2	0	0	0	0	257	116	0	0	637
Total	580	0	160	0	127	161	0	3	0	0	0	0	1069	467	0	0	2567
12:00	136	0	39	0	28	32	0	0	0	0	0	0	281	119	0	0	635
12:15	143	0	45	0	27	32	0	0	0	0	0	0	275	115	0	0	637
12:30	165	0	44	0	24	29	0	0	0	0	0	0	299	109	0	0	670
12:45	116	0	55	0	22	42	0	0	0	0	0	0	253	99	0	0	587
Total	560	0	183	0	101	135	0	0	0	0	0	0	1108	442	0	0	2529
13:00	137	0	42	0	27	25	0	0	0	0	0	0	303	126	0	0	660
13:15	149	0	43	0	33	26	0	0	0	0	0	0	262	130	0	0	643
13:30	134	0	48	0	25	40	0	1	0	0	0	0	305	127	0	0	680
13:45	154	0	48	0	23	21	0	0	0	0	0	0	275	115	0	0	636
Total	574	0	181	0	108	112	0	1	0	0	0	0	1145	498	0	0	2619
Grand Total	2263	0	664	0	445	560	0	4	0	0	0	0	4358	1831	0	1	10126
Apprch %	77.3	0	22.7	0	44.1	55.5	0	0.4	0	0	0	0	70.4	29.6	0	0	
Total %	22.3	0	6.6	0	4.4	5.5	0	0	0	0	0	0	43	18.1	0	0	

City: DANA POINT  
 N-S Direction: I-5 SB RAMPS  
 E-W Direction: CAMINO LAS RAMBLAS

File Name : H1912028  
 Site Code : 00000000  
 Start Date : 12/7/2019  
 Page No : 2

Start Time	I-5 SB RAMPS Southbound					CAMINO LAS RAMBLAS Westbound					I-5 SB ON RAMP Northbound					CAMINO LAS RAMBLAS Eastbound					Int. Total
	Right	Thru	Left	U Turns	App. Total	Right	Thru	Left	U Turns	App. Total	Right	Thru	Left	U Turns	App. Total	Right	Thru	Left	U Turns	App. Total	
Peak Hour Analysis From 10:00 to 13:45 - Peak 1 of 1																					
Peak Hour for Entire Intersection Begins at 13:00																					
13:00	137	0	42	0	179	27	25	0	0	52	0	0	0	0	0	303	126	0	0	429	660
13:15	149	0	43	0	192	<b>33</b>										<b>130</b>				<b>392</b>	<b>643</b>
13:30	134	0	<b>48</b>				<b>40</b>	0	<b>1</b>	<b>66</b>	0	0	0	0	0	<b>305</b>				<b>432</b>	<b>680</b>
13:45	<b>154</b>				<b>202</b>	23	21	0	0	44	0	0	0	0	0	275	115	0	0	390	636
Total Volume	574	0	181	0	755	108	112	0	1	221	0	0	0	0	0	1145	498	0	0	1643	2619
% App. Total						48.9	50.7									69.7	30.3				
PHF	.932	.000	.943	.000	.934	.818	.700	.000	.250	.837	.000	.000	.000	.000	.000	.939	.958	.000	.000	.951	.963





City: DANA POINT  
 N-S Direction: I-5 NB RAMPS  
 E-W Direction: PCH & CAMINO LAS RAMBLAS

File Name : H2001019  
 Site Code : 00000000  
 Start Date : 1/15/2020  
 Page No : 1

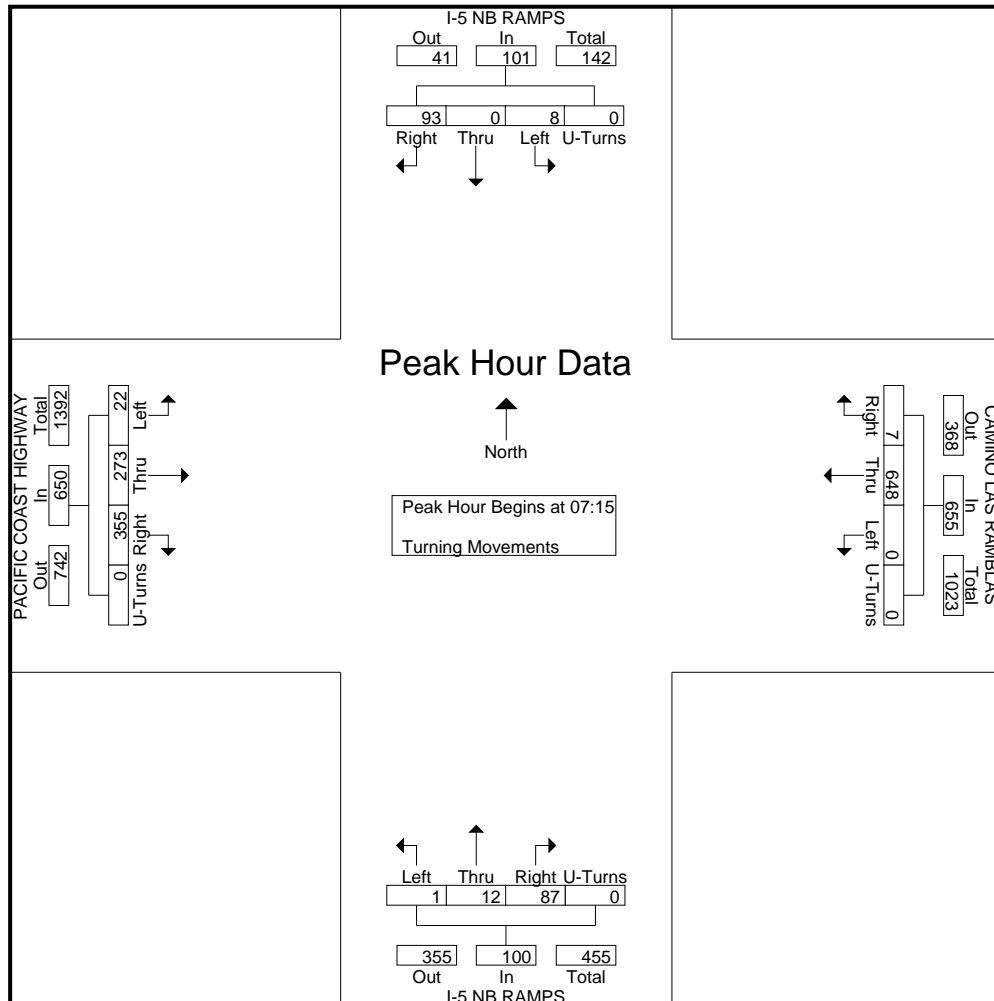
Groups Printed- Turning Movements

Start Time	I-5 NB RAMPS Southbound				CAMINO LAS RAMBLAS Westbound				I-5 NB RAMPS Northbound				PACIFIC COAST HIGHWAY Eastbound				Int. Total
	Right	Thru	Left	U-Turns	Right	Thru	Left	U-Turns	Right	Thru	Left	U-Turns	Right	Thru	Left	U-Turns	
07:00	19	0	2	0	1	132	0	0	9	0	2	0	51	52	5	0	273
07:15	32	0	2	0	2	163	0	0	14	5	0	0	69	46	10	0	343
07:30	22	0	5	0	3	191	0	0	22	1	1	0	91	62	4	0	402
07:45	24	0	1	0	2	152	0	0	27	3	0	0	91	80	6	0	386
Total	97	0	10	0	8	638	0	0	72	9	3	0	302	240	25	0	1404
08:00	15	0	0	0	0	142	0	0	24	3	0	0	104	85	2	0	375
08:15	17	0	1	0	1	135	0	0	23	1	2	0	78	63	6	0	327
08:30	14	0	0	0	0	132	0	0	13	2	2	0	73	74	7	0	317
08:45	9	0	1	0	1	116	0	0	22	2	3	0	61	71	8	0	294
Total	55	0	2	0	2	525	0	0	82	8	7	0	316	293	23	0	1313
16:00	14	0	0	0	3	95	0	0	26	4	2	0	112	87	10	0	353
16:15	19	0	3	0	1	89	0	0	23	7	1	0	72	90	10	0	315
16:30	13	0	1	0	3	86	0	0	24	6	1	0	84	100	12	0	330
16:45	15	0	1	0	1	94	0	0	26	3	2	0	85	108	15	0	350
Total	61	0	5	0	8	364	0	0	99	20	6	0	353	385	47	0	1348
17:00	12	0	0	0	3	93	0	0	39	13	2	0	112	95	8	0	377
17:15	10	0	1	0	3	101	0	0	20	7	0	0	101	134	11	0	388
17:30	11	0	4	0	3	76	0	0	31	9	3	0	91	127	13	0	368
17:45	12	0	0	0	0	91	0	0	29	8	2	0	76	115	14	0	347
Total	45	0	5	0	9	361	0	0	119	37	7	0	380	471	46	0	1480
Grand Total	258	0	22	0	27	1888	0	0	372	74	23	0	1351	1389	141	0	5545
Apprch %	92.1	0	7.9	0	1.4	98.6	0	0	79.3	15.8	4.9	0	46.9	48.2	4.9	0	
Total %	4.7	0	0.4	0	0.5	34	0	0	6.7	1.3	0.4	0	24.4	25	2.5	0	

City: DANA POINT  
 N-S Direction: I-5 NB RAMPS  
 E-W Direction: PCH & CAMINO LAS RAMBLAS

File Name : H2001019  
 Site Code : 0000000  
 Start Date : 1/15/2020  
 Page No : 2

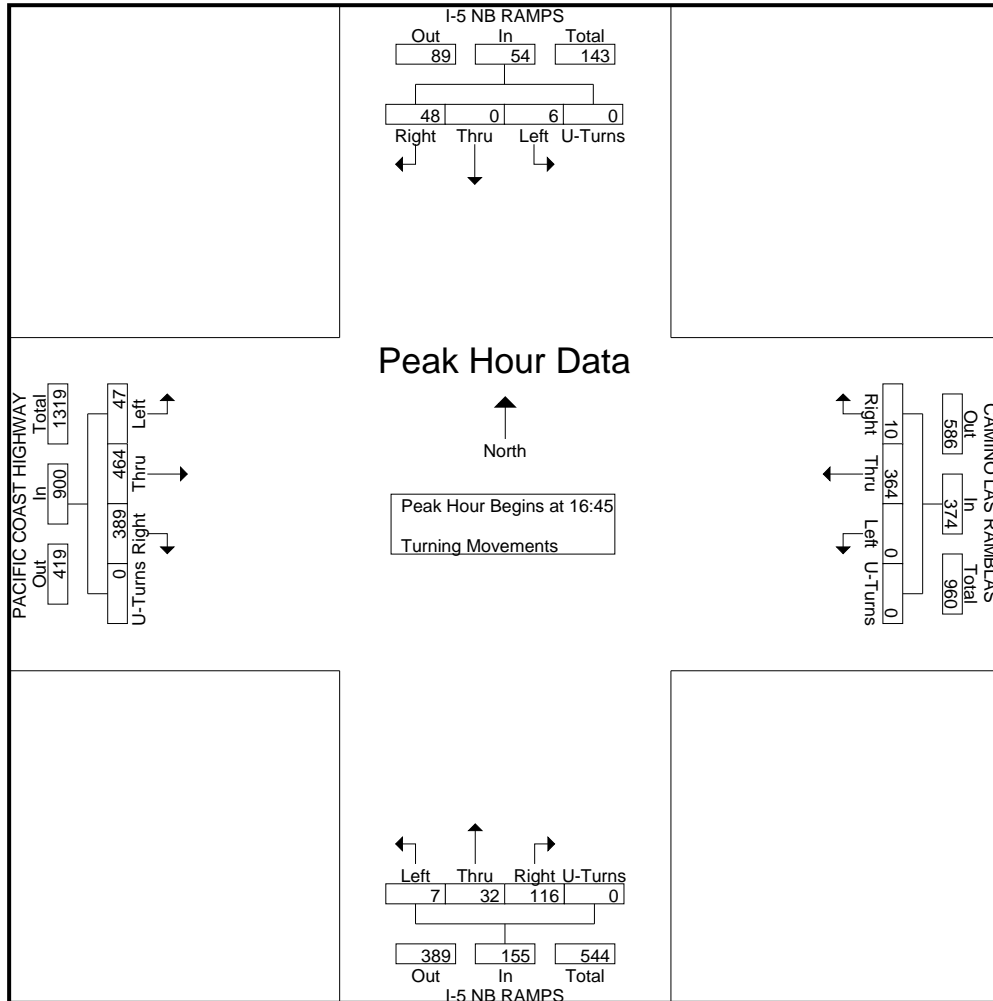
Start Time	I-5 NB RAMPS Southbound					CAMINO LAS RAMBLAS Westbound					I-5 NB RAMPS Northbound					PACIFIC COAST HIGHWAY Eastbound					Int. Total
	Right	Thru	Left	U-Turns	App. Total	Right	Thru	Left	U-Turns	App. Total	Right	Thru	Left	U-Turns	App. Total	Right	Thru	Left	U-Turns	App. Total	
Peak Hour Analysis From 07:00 to 08:45 - Peak 1 of 1																					
Peak Hour for Entire Intersection Begins at 07:15																					
07:15	32	0	5	0	34	2	163	0	0	165	14	5	0	0	19	69	46	10	0	157	402
07:30	22	0	1	0	27	3	191	0	0	194	22	1	1	0	24	91	62	4	0	177	386
07:45	24	0	1	0	25	2	152	0	0	154	27				30	91	80	6	0	177	386
08:00	15	0	0	0	15	0	142	0	0	142	24	3	0	0	27	104	85	2	0	191	375
Total Volume	93	0	8	0	101	7	648	0	0	655	87	12	1	0	100	355	273	22	0	650	1506
% App. Total	92.1	0	7.9	0		1.1	98.9	0	0		87	12	1	0		54.6	42	3.4	0		
PHF	.727	.000	.400	.000	.743	.583	.848	.000	.000	.844	.806	.600	.250	.000	.833	.853	.803	.550	.000	.851	.937



City: DANA POINT  
 N-S Direction: I-5 NB RAMPS  
 E-W Direction: PCH & CAMINO LAS RAMBLAS

File Name : H2001019  
 Site Code : 0000000  
 Start Date : 1/15/2020  
 Page No : 3

Start Time	I-5 NB RAMPS Southbound					CAMINO LAS RAMBLAS Westbound					I-5 NB RAMPS Northbound					PACIFIC COAST HIGHWAY Eastbound					Int. Total	
	Right	Thru	Left	U-Turns	App. Total	Right	Thru	Left	U-Turns	App. Total	Right	Thru	Left	U-Turns	App. Total	Right	Thru	Left	U-Turns	App. Total		
16:45	15	0	0	0	16	1	94	0	0	95	26	3	2	0	31	85	108	15	0	215	377	
17:00	12	0	0	0	12	3	93	0	0	96	39	13	2	0	54	112	95	8	0	215	377	
17:15	10	0	1	0	11	3	101	0	0	104	20	7	0	0	27	101	134	11	0	246	388	
17:30	11	0	4	0	15	0	0	0	0	0	0	0	3	3	0	0	0	0	0	0	0	0
Total Volume	48	0	6	0	54	10	364	0	0	374	116	32	7	0	155	389	464	47	0	900	1483	
% App. Total	88.9	0	11.1	0		2.7	97.3	0	0		74.8	20.6	4.5	0		43.2	51.6	5.2	0			
PHF	.800	.000	.375	.000	.844	.833	.901	.000	.000	.899	.744	.615	.583	.000	.718	.868	.866	.783	.000	.915	.956	



City: DANA POINT  
 N-S Direction: I-5 NB RAMPS  
 E-W Direction: PCH & CAMINO LAS RAMBLAS

File Name : H2001019SAT  
 Site Code : 00000000  
 Start Date : 1/18/2020  
 Page No : 1

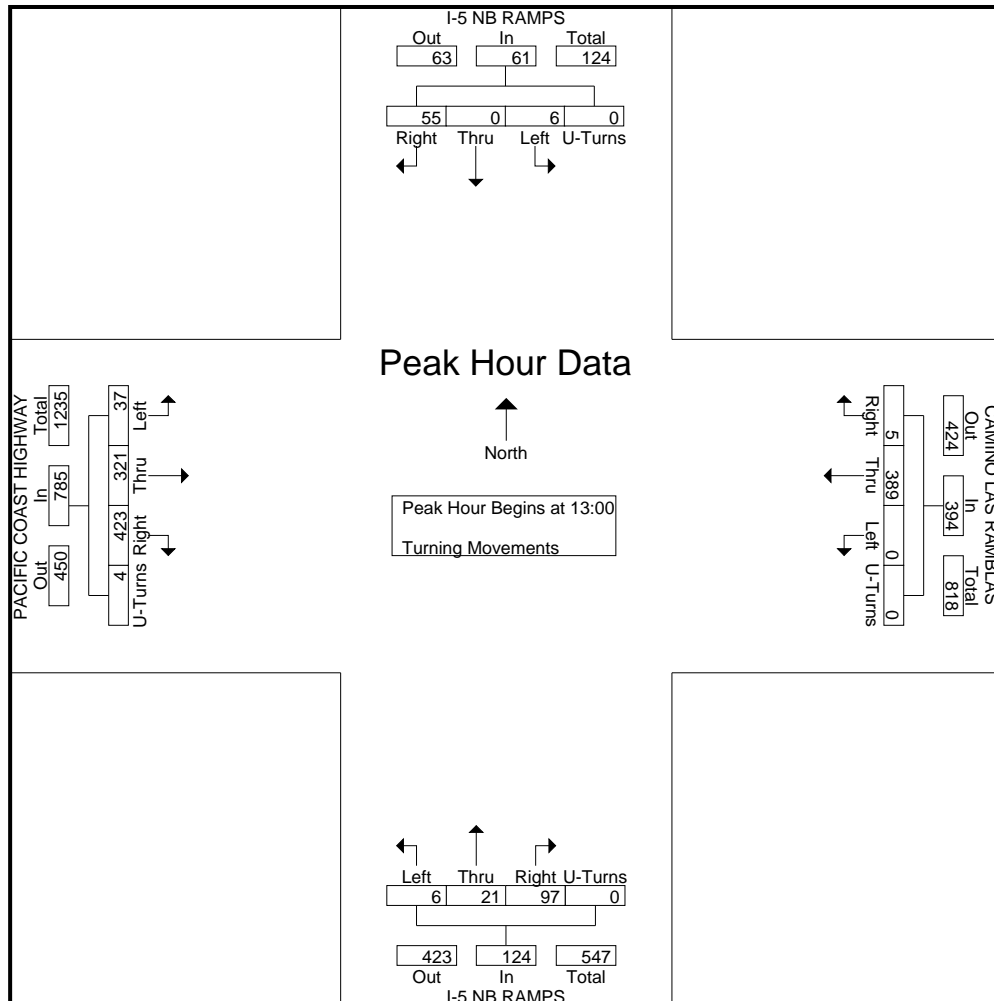
Groups Printed- Turning Movements

Start Time	I-5 NB RAMPS Southbound				CAMINO LAS RAMBLAS Westbound				I-5 NB RAMPS Northbound				PACIFIC COAST HIGHWAY Eastbound				Int. Total
	Right	Thru	Left	U-Turns	Right	Thru	Left	U-Turns	Right	Thru	Left	U-Turns	Right	Thru	Left	U-Turns	
10:00	19	0	2	0	0	124	0	0	16	0	2	0	68	70	8	1	310
10:15	16	0	4	1	2	93	0	0	17	4	2	0	72	62	6	1	280
10:30	13	0	0	0	4	133	0	0	27	3	4	0	73	70	7	1	335
10:45	15	0	0	0	1	116	0	0	29	3	0	0	81	80	7	2	334
Total	63	0	6	1	7	466	0	0	89	10	8	0	294	282	28	5	1259
11:00	11	0	1	0	4	95	0	0	23	2	2	0	102	60	3	1	304
11:15	11	0	2	0	2	113	0	0	25	4	2	0	68	64	6	1	298
11:30	18	0	1	0	2	110	0	0	16	2	2	0	86	72	6	0	315
11:45	17	0	1	0	1	112	0	0	24	4	1	0	103	71	7	0	341
Total	57	0	5	0	9	430	0	0	88	12	7	0	359	267	22	2	1258
12:00	11	0	3	1	5	99	0	0	22	1	4	0	89	79	4	1	319
12:15	13	0	0	0	2	92	0	0	28	2	3	0	80	88	7	0	315
12:30	15	0	0	0	2	88	0	0	26	5	2	0	106	81	13	2	340
12:45	18	0	1	0	1	99	0	0	28	6	3	0	96	73	13	0	338
Total	57	0	4	1	10	378	0	0	104	14	12	0	371	321	37	3	1312
13:00	9	0	2	0	3	84	0	0	25	4	2	0	93	81	9	1	313
13:15	17	0	1	0	1	98	0	0	23	3	0	0	114	75	6	0	338
13:30	16	0	0	0	1	99	0	0	21	6	4	0	130	78	14	1	370
13:45	13	0	3	0	0	108	0	0	28	8	0	0	86	87	8	2	343
Total	55	0	6	0	5	389	0	0	97	21	6	0	423	321	37	4	1364
Grand Total	232	0	21	2	31	1663	0	0	378	57	33	0	1447	1191	124	14	5193
Apprch %	91	0	8.2	0.8	1.8	98.2	0	0	80.8	12.2	7.1	0	52.1	42.9	4.5	0.5	
Total %	4.5	0	0.4	0	0.6	32	0	0	7.3	1.1	0.6	0	27.9	22.9	2.4	0.3	

City: DANA POINT  
 N-S Direction: I-5 NB RAMPS  
 E-W Direction: PCH & CAMINO LAS RAMBLAS

File Name : H2001019SAT  
 Site Code : 00000000  
 Start Date : 1/18/2020  
 Page No : 2

Start Time	I-5 NB RAMPS Southbound					CAMINO LAS RAMBLAS Westbound					I-5 NB RAMPS Northbound					PACIFIC COAST HIGHWAY Eastbound					Int. Total
	Right	Thru	Left	U-Turns	App. Total	Right	Thru	Left	U-Turns	App. Total	Right	Thru	Left	U-Turns	App. Total	Right	Thru	Left	U-Turns	App. Total	
Peak Hour Analysis From 10:00 to 13:45 - Peak 1 of 1																					
Peak Hour for Entire Intersection Begins at 13:00																					
13:00	9	0	2	0	11	3					23	3	0	0	26	114	75	6	0	195	338
13:15	17	0	1	0	18	1	98	0	0	99	21	6	4	0	26	130		14		223	370
13:30	16	0	0	0	16	1	99	0	0	100											
13:45	13	0	3			108	0	0	108	28	8	0	0	36	86	87	8	2			
Total Volume	55	0	6	0	61	5	389	0	0	394	97	21	6	0	124	423	321	37	4	785	1364
% App. Total	90.2	0	9.8	0		1.3	98.7	0	0		78.2	16.9	4.8	0		53.9	40.9	4.7	0.5		
PHF	.809	.000	.500	.000	.847	.417	.900	.000	.000	.912	.866	.656	.375	.000	.861	.813	.922	.661	.500	.880	.922



# National Data & Surveying Services

## Intersection Turning Movement Count

Location: Camino Capistrano & I-5 SB ramps  
 City: San Juan Capistrano  
 Control: Signalized

Project ID: 18-01241-001  
 Date: 11/13 - 11/15/2018

### 3-Day Average Total

NS/EW Streets:	Camino Capistrano				Camino Capistrano				I-5 SB ramps				I-5 SB ramps				
<b>AM</b>	NORTHBOUND				SOUTHBOUND				EASTBOUND				WESTBOUND				
	0	2	1	0	2	2	0	0	0	0	0	0	2	0	1	0	
	NL	NT	NR	NU	SL	ST	SR	SU	EL	ET	ER	EU	WL	WT	WR	WU	TOTAL
7:00 AM	0	47	5	0	57	74	0	0	0	0	0	0	132	0	45	0	360
7:15 AM	0	75	7	0	69	109	0	0	0	0	0	0	167	0	64	0	491
7:30 AM	0	88	5	0	98	111	0	0	0	0	0	0	166	0	80	0	548
7:45 AM	0	105	5	0	90	134	0	0	0	0	0	0	175	0	87	0	596
8:00 AM	0	115	8	0	87	115	0	0	0	0	0	0	151	0	79	0	555
8:15 AM	0	96	7	0	80	111	0	0	0	0	0	0	148	0	64	0	506
8:30 AM	0	87	9	0	77	99	0	0	0	0	0	0	129	0	60	0	461
8:45 AM	0	89	9	0	79	110	0	0	0	0	0	0	157	0	64	0	508
<b>TOTAL VOLUMES :</b>	NL	NT	NR	NU	SL	ST	SR	SU	EL	ET	ER	EU	WL	WT	WR	WU	TOTAL
<b>APPROACH %'s :</b>	0	702	55	0	637	863	0	0	0	0	0	0	1225	0	543	0	4025
	0.00%	92.73%	7.27%	0.00%	42.47%	57.53%	0.00%	0.00%	0.00%	0.00%	0.00%	0.00%	69.29%	0.00%	30.71%	0.00%	
<b>PEAK HR :</b>	07:30 AM - 08:30 AM																TOTAL
<b>PEAK HR VOL :</b>	0	404	25	0	355	471	0	0	0	0	0	0	640	0	310	0	2205
<b>PEAK HR FACTOR :</b>	0.000	0.878	0.781	0.000	0.906	0.879	0.000	0.000	0.000	0.000	0.000	0.000	0.914	0.000	0.891	0.000	0.925
			0.872			0.922								0.906			
<b>PM</b>	NORTHBOUND				SOUTHBOUND				EASTBOUND				WESTBOUND				
	0	2	1	0	2	2	0	0	0	0	0	0	2	0	1	0	
	NL	NT	NR	NU	SL	ST	SR	SU	EL	ET	ER	EU	WL	WT	WR	WU	TOTAL
4:00 PM	0	128	14	0	113	147	0	0	0	0	0	0	233	0	77	0	712
4:15 PM	0	135	23	0	90	149	0	0	0	0	0	0	226	0	78	0	701
4:30 PM	0	132	12	0	110	147	0	0	0	0	0	0	221	0	78	0	700
4:45 PM	0	129	10	0	113	152	0	0	0	0	0	0	219	0	101	0	724
5:00 PM	0	145	17	0	127	150	0	0	0	0	0	0	227	0	90	0	756
5:15 PM	0	127	10	0	101	133	0	0	0	0	0	0	236	0	98	0	705
5:30 PM	0	107	7	0	99	119	0	0	0	0	0	0	223	0	87	0	642
5:45 PM	0	94	8	0	90	106	0	0	0	0	0	0	214	0	95	0	607
<b>TOTAL VOLUMES :</b>	NL	NT	NR	NU	SL	ST	SR	SU	EL	ET	ER	EU	WL	WT	WR	WU	TOTAL
<b>APPROACH %'s :</b>	0	997	101	0	843	1103	0	0	0	0	0	0	1799	0	704	0	5547
	0.00%	90.80%	9.20%	0.00%	43.32%	56.68%	0.00%	0.00%	0.00%	0.00%	0.00%	0.00%	71.87%	0.00%	28.13%	0.00%	
<b>PEAK HR :</b>	04:30 PM - 05:30 PM																TOTAL
<b>PEAK HR VOL :</b>	0	533	49	0	451	582	0	0	0	0	0	0	903	0	367	0	2885
<b>PEAK HR FACTOR :</b>	0.000	0.919	0.721	0.000	0.888	0.957	0.000	0.000	0.000	0.000	0.000	0.000	0.957	0.000	0.908	0.000	0.954
			0.898			0.932								0.951			

National Data & Surveying Services

# Intersection Turning Movement Count

Location: South Coast Water District Dwy & Stonehill Dr  
 City: Dana Point  
 Control: 1-Way Stop(NB)

Project ID: 19-01068-001  
 Date: 4/11/2019

**Total**

NS/EW Streets:	South Coast Water District Dwy				South Coast Water District Dwy				Stonehill Dr				Stonehill Dr				TOTAL				
	NORTHBOUND				SOUTHBOUND				EASTBOUND				WESTBOUND								
AM	0	0	1	0	0	0	0	0	0	1	0	0	0	1	0	0	0	1	0	0	TOTAL
	NL	NT	NR	NU	SL	ST	SR	SU	EL	ET	ER	EU	WL	WT	WR	WU					
7:00 AM	11	0	21	0	0	0	0	0	0	320	1	0	13	135	1	0					502
7:15 AM	8	0	24	0	1	0	0	0	0	365	5	0	6	221	1	0					631
7:30 AM	4	0	19	0	2	0	0	0	0	429	2	0	13	239	1	0					709
7:45 AM	8	0	10	0	1	0	0	0	0	414	3	0	4	224	0	0					664
8:00 AM	2	0	5	0	0	0	0	0	0	409	6	0	9	187	1	0					619
8:15 AM	5	0	4	0	2	0	0	0	0	312	1	0	5	220	0	0					549
8:30 AM	2	0	4	0	1	0	0	0	0	371	3	0	2	188	1	0					572
8:45 AM	4	0	8	0	2	0	0	0	0	373	7	0	2	191	0	0					587
<b>TOTAL VOLUMES :</b>	NL	NT	NR	NU	SL	ST	SR	SU	EL	ET	ER	EU	WL	WT	WR	WU					<b>TOTAL</b>
<b>APPROACH %'s :</b>	44	0	95	0	9	0	0	0	0	2993	28	0	54	1605	5	0					4833
	31.65%	0.00%	68.35%	0.00%	100.00%	0.00%	0.00%	0.00%	0.00%	99.07%	0.93%	0.00%	3.25%	96.45%	0.30%	0.00%					
<b>PEAK HR :</b>	<b>07:15 AM - 08:15 AM</b>																<b>TOTAL</b>				
<b>PEAK HR VOL :</b>	22	0	58	0	4	0	0	0	0	1617	16	0	32	871	3	0					2623
<b>PEAK HR FACTOR :</b>	0.688	0.000	0.604	0.000	0.500	0.000	0.000	0.000	0.000	0.942	0.667	0.000	0.615	0.911	0.750	0.000					0.925
			0.625				0.500				0.947				0.895						
PM	0	0	1	0	0	0	0	0	0	1	0	0	0	1	0	0					TOTAL
	NL	NT	NR	NU	SL	ST	SR	SU	EL	ET	ER	EU	WL	WT	WR	WU					
4:00 PM	3	0	9	0	0	0	0	0	0	343	2	0	3	311	0	0					671
4:15 PM	2	0	8	0	0	0	0	0	0	303	4	0	9	330	0	0					656
4:30 PM	5	0	8	0	0	0	0	0	0	323	4	0	18	329	0	0					687
4:45 PM	3	0	7	0	0	0	0	0	0	321	7	0	4	323	0	0					665
5:00 PM	0	0	6	0	1	0	0	0	0	322	5	0	3	352	1	0					690
5:15 PM	0	0	6	0	1	0	0	0	0	298	3	0	1	340	0	0					649
5:30 PM	0	0	12	0	2	0	0	0	0	293	5	0	1	386	2	0					701
5:45 PM	1	0	3	0	1	0	0	0	0	275	0	0	3	313	0	0					596
<b>TOTAL VOLUMES :</b>	NL	NT	NR	NU	SL	ST	SR	SU	EL	ET	ER	EU	WL	WT	WR	WU					<b>TOTAL</b>
<b>APPROACH %'s :</b>	14	0	59	0	5	0	0	0	0	2478	30	0	42	2684	3	0					5315
	19.18%	0.00%	80.82%	0.00%	100.00%	0.00%	0.00%	0.00%	0.00%	98.80%	1.20%	0.00%	1.54%	98.35%	0.11%	0.00%					
<b>PEAK HR :</b>	<b>04:45 PM - 05:45 PM</b>																<b>TOTAL</b>				
<b>PEAK HR VOL :</b>	3	0	31	0	4	0	0	0	0	1234	20	0	9	1401	3	0					2705
<b>PEAK HR FACTOR :</b>	0.250	0.000	0.646	0.000	0.500	0.000	0.000	0.000	0.000	0.958	0.714	0.000	0.563	0.907	0.375	0.000					0.965
			0.708				0.500				0.956				0.908						

**Transportation Studies, Inc.**

2640 Walnut Avenue, Suite L  
Tustin, CA. 92780

Location : CAMINO CAPISTRANO  
Segment : W/O DOHENY PARK RD  
Client : LL&G

Site: DANA POINT  
Date: 01/15/20

Interval	SB				NB				Combined				Day:	Wednesday
	AM		PM		AM		PM		AM		PM			
12:00	4	6	28	145	4	5	32	151	8	11	60	296		
12:15	2		40		1		40		3		80			
12:30	0		43		0		31		0		74			
12:45	0		34		0		48		0		82			
01:00	1	1	42	179	0	1	41	167	1	2	83	346		
01:15	0		50		0		46		0		96			
01:30	0		43		1		36		1		79			
01:45	0		44		0		44		0		88			
02:00	1	2	48	158	0	0	56	179	1	2	104	337		
02:15	1		38		0		31		1		69			
02:30	0		43		0		46		0		89			
02:45	0		29		0		46		0		75			
03:00	0	0	46	210	1	4	56	211	1	4	102	421		
03:15	0		50		1		44		1		94			
03:30	0		60		2		61		2		121			
03:45	0		54		0		50		0		104			
04:00	0	1	66	234	3	20	58	202	3	21	124	436		
04:15	0		54		2		48		2		102			
04:30	0		58		8		46		8		104			
04:45	1		56		7		50		8		106			
05:00	2	9	65	226	8	34	64	230	10	43	129	456		
05:15	0		58		9		52		9		110			
05:30	3		50		7		66		10		116			
05:45	4		53		10		48		14		101			
06:00	9	59	42	138	16	116	47	167	25	175	89	305		
06:15	11		36		22		49		33		85			
06:30	23		32		35		38		58		70			
06:45	16		28		43		33		59		61			
07:00	37	131	25	92	52	271	26	92	89	402	51	184		
07:15	22		17		77		24		99		41			
07:30	40		24		66		26		106		50			
07:45	32		26		76		16		108		42			
08:00	35	144	26	86	63	249	20	67	98	393	46	153		
08:15	36		24		70		17		106		41			
08:30	34		16		64		14		98		30			
08:45	39		20		52		16		91		36			
09:00	38	137	23	50	38	186	18	46	76	323	41	96		
09:15	35		10		50		13		85		23			
09:30	30		8		51		2		81		10			
09:45	34		9		47		13		81		22			
10:00	32	122	13	38	38	150	10	34	70	272	23	72		
10:15	32		10		36		9		68		19			
10:30	34		12		40		8		74		20			
10:45	24		3		36		7		60		10			
11:00	30	120	4	11	35	151	4	12	65	271	8	23		
11:15	33		1		34		3		67		4			
11:30	24		6		38		2		62		8			
11:45	33		0		44		3		77		3			
Totals	732		1,567		1,187		1,558		1,919		3,125			
Split%	38.1		50.1		61.9		49.9							
Day Totals		2,299				2,745				5,044				
Day Splits		45.6				54.4								
Peak Hour	08:15		04:30		07:15		04:45		07:30		04:45			
Volume	147		237		282		232		418		461			
Factor	0.94		0.91		0.92		0.88		0.97		0.89			



**Transportation Studies, Inc.**

2640 Walnut Avenue, Suite L  
Tustin, CA. 92780

Location : CAMINO CAPISTRANO  
Segment : W/O DOHENY PARK RD  
Client : LL&G

Site: DANA POINT  
Date: 01/18/20

Interval	SB				NB				Combined		Day:	Saturday
	AM		PM		AM		PM		AM	PM		
12:00	2	9	36	136	2	9	26	129	4	18	62	265
12:15	4		46		4		40		8		86	
12:30	2		32		2		34		4		66	
12:45	1		22		1		29		2		51	
01:00	2	4	34	154	2	5	29	112	4	9	63	266
01:15	1		30		2		29		3		59	
01:30	0		38		1		24		1		62	
01:45	1		52		0		30		1		82	
02:00	0	5	38	146	1	6	31	128	1	11	69	274
02:15	2		42		2		28		4		70	
02:30	2		24		3		29		5		53	
02:45	1		42		0		40		1		82	
03:00	1	2	40	137	2	4	24	129	3	6	64	266
03:15	0		32		1		35		1		67	
03:30	1		26		0		34		1		60	
03:45	0		39		1		36		1		75	
04:00	1	5	44	143	2	10	45	150	3	15	89	293
04:15	2		31		4		32		6		63	
04:30	2		30		2		37		4		67	
04:45	0		38		2		36		2		74	
05:00	4	6	42	126	5	25	40	152	9	31	82	278
05:15	1		30		5		46		6		76	
05:30	1		26		6		32		7		58	
05:45	0		28		9		34		9		62	
06:00	0	24	28	108	5	45	31	108	5	69	59	216
06:15	5		28		8		37		13		65	
06:30	8		31		16		16		24		47	
06:45	11		21		16		24		27		45	
07:00	18	50	34	75	14	91	20	97	32	141	54	172
07:15	12		13		19		22		31		35	
07:30	10		18		20		28		30		46	
07:45	10		10		38		27		48		37	
08:00	16	68	13	51	36	150	19	70	52	218	32	121
08:15	16		12		34		22		50		34	
08:30	14		14		32		16		46		30	
08:45	22		12		48		13		70		25	
09:00	24	112	12	44	32	153	10	58	56	265	22	102
09:15	32		12		36		16		68		28	
09:30	26		10		40		16		66		26	
09:45	30		10		45		16		75		26	
10:00	32	132	10	38	28	134	16	45	60	266	26	83
10:15	40		12		42		11		82		23	
10:30	28		8		30		7		58		15	
10:45	32		8		34		11		66		19	
11:00	39	101	12	31	25	124	8	20	64	225	20	51
11:15	18		16		36		3		54		19	
11:30	20		0		27		3		47		3	
11:45	24		3		36		6		60		9	
Totals	518		1,189		756		1,198		1,274		2,387	
Split%	40.7		49.8		59.3		50.2					
Day Totals		1,707				1,954				3,661		
Day Splits		46.6				53.4						
Peak Hour	10:15		01:30		08:45		04:30		09:30		04:30	
Volume	139		170		156		159		283		299	
Factor	0.87		0.82		0.81		0.86		0.86		0.91	

# Transportation Studies, Inc.

2640 Walnut Avenue, Suite L

Tustin, CA. 92780

Location : DOHENY PARK ROAD  
 Segment : S/O CAMINO CAPISTRANO  
 Client : LL&G

Site: DANA POINT  
 Date: 01/15/20

Interval			Day:	Wednesday
Begin	AM- EB		PM- EB	
12:00	0	2	6	37
12:15	0		7	
12:30	2		15	
12:45	0		9	
1:00	0	0	10	28
1:15	0		5	
1:30	0		8	
1:45	0		5	
2:00	0	2	12	46
2:15	2		13	
2:30	0		8	
2:45	0		13	
3:00	0	0	20	73
3:15	0		15	
3:30	0		22	
3:45	0		16	
4:00	0	5	8	60
4:15	3		28	
4:30	0		16	
4:45	2		8	
5:00	0	6	12	52
5:15	6		6	
5:30	0		26	
5:45	0		8	
6:00	0	19	12	33
6:15	5		6	
6:30	2		4	
6:45	12		11	
7:00	10	38	22	40
7:15	10		6	
7:30	10		6	
7:45	8		6	
8:00	8	34	4	21
8:15	10		2	
8:30	14		8	
8:45	2		7	
9:00	4	22	10	28
9:15	4		4	
9:30	8		4	
9:45	6		10	
10:00	8	31	0	9
10:15	10		3	
10:30	8		4	
10:45	5		2	
11:00	7	39	2	8
11:15	8		4	
11:30	18		0	
11:45	6		2	
<b>Totals</b>	<b>198</b>		<b>435</b>	
Peak Hour	6:45		3:30	
Volume	42		74	
Factor	0.88		0.66	
DayTotal	<b>633</b>			

# Transportation Studies, Inc.

2640 Walnut Avenue, Suite L

Tustin, CA. 92780

Location : DOHENY PARK ROAD  
 Segment : S/O CAMINO CAPISTRANO  
 Client : LL&G

Site: DANA POINT  
 Date: 01/18/20

Interval			Day:	Saturday
Begin	AM- EB		PM- EB	
12:00	2	5	10	28
12:15	2		2	
12:30	1		10	
12:45	0		6	
1:00	0	4	5	37
1:15	2		4	
1:30	2		20	
1:45	0		8	
2:00	4	6	8	35
2:15	2		8	
2:30	0		11	
2:45	0		8	
3:00	0	2	2	31
3:15	0		8	
3:30	0		6	
3:45	2		15	
4:00	0	2	10	34
4:15	2		8	
4:30	0		6	
4:45	0		10	
5:00	0	0	7	44
5:15	0		6	
5:30	0		16	
5:45	0		15	
6:00	0	4	9	38
6:15	0		17	
6:30	2		4	
6:45	2		8	
7:00	6	15	9	27
7:15	3		6	
7:30	2		2	
7:45	4		10	
8:00	6	18	8	34
8:15	4		8	
8:30	4		12	
8:45	4		6	
9:00	16	30	10	26
9:15	0		2	
9:30	6		10	
9:45	8		4	
10:00	7	29	2	26
10:15	6		12	
10:30	12		4	
10:45	4		8	
11:00	2	45	8	23
11:15	14		11	
11:30	16		4	
11:45	13		0	
<b>Totals</b>	<b>160</b>		<b>383</b>	
Peak Hour	11:00		5:30	
Volume	45		57	
Factor	0.7		0.84	
DayTotal	<b>543</b>			

**Transportation Studies, Inc.**

2640 Walnut Avenue, Suite L  
Tustin, CA. 92780

Location : VICTORIA BOULEVARD  
Segment : W/O DOHENY PARK ROAD  
Client : LL&G

Site: DANA POINT  
Date: 01/15/20  
D2001022

File:

Interval	EB				WB				Combined				Day:	Wednesday
	AM		PM		AM		PM		AM		PM			
12:00	0	2	10	34	0	1	6	29	0	3	16	63		
12:15	0		11		0		5		0		16			
12:30	2		10		1		10		3		20			
12:45	0		3		0		8		0		11			
01:00	0	0	17	46	0	0	4	30	0	0	21	76		
01:15	0		12		0		10		0		22			
01:30	0		11		0		8		0		19			
01:45	0		6		0		8		0		14			
02:00	0	0	10	37	0	0	11	38	0	0	21	75		
02:15	0		5		0		12		0		17			
02:30	0		8		0		7		0		15			
02:45	0		14		0		8		0		22			
03:00	0	0	7	31	0	0	8	24	0	0	15	55		
03:15	0		11		0		5		0		16			
03:30	0		5		0		7		0		12			
03:45	0		8		0		4		0		12			
04:00	0	0	4	40	0	1	3	27	0	1	7	67		
04:15	0		12		0		6		0		18			
04:30	0		12		0		10		0		22			
04:45	0		12		1		8		1		20			
05:00	2	2	10	34	0	2	7	8	2	4	17	42		
05:15	0		9		0		0		0		9			
05:30	0		11		1		1		1		12			
05:45	0		4		1		0		1		4			
06:00	2	15	6	14	0	8	0	3	2	23	6	17		
06:15	2		4		1		2		3		6			
06:30	4		0		3		1		7		1			
06:45	7		4		4		0		11		4			
07:00	4	16	2	13	5	21	0	4	9	37	2	17		
07:15	0		6		1		1		1		7			
07:30	7		3		7		0		14		3			
07:45	5		2		8		3		13		5			
08:00	7	17	2	8	5	20	1	5	12	37	3	13		
08:15	6		2		5		1		11		3			
08:30	2		3		4		2		6		5			
08:45	2		1		6		1		8		2			
09:00	4	23	3	6	10	29	3	5	14	52	6	11		
09:15	7		0		4		0		11		0			
09:30	4		2		6		2		10		4			
09:45	8		1		9		0		17		1			
10:00	6	23	0	2	4	23	0	1	10	46	0	3		
10:15	4		1		3		0		7		1			
10:30	7		0		12		0		19		0			
10:45	6		1		4		1		10		2			
11:00	8	28	5	15	10	27	2	3	18	55	7	18		
11:15	5		8		4		1		9		9			
11:30	5		0		4		0		9		0			
11:45	10		2		9		0		19		2			
Totals	126		280		132		177		258		457			
Split%	48.8		61.3		51.2		38.7							
Day Totals		406				309				715				
Day Splits		56.8				43.2								
Peak Hour	11:00		01:00		10:30		01:30		10:30		04:15			
Volume	28		46		30		39		56		77			
Factor	0.70		0.68		0.63		0.81		0.74		0.88			

**Transportation Studies, Inc.**

2640 Walnut Avenue, Suite L  
Tustin, CA. 92780

Location : VICTORIA BOULEVARD  
Segment : W/O DOHENY PARK ROAD  
Client : LL&G

Site: DANA POINT  
Date: 01/18/20

Interval	EB				WB				Combined				Day:	Saturday
	AM	PM	AM	PM	AM	PM	AM	PM						
12:00	0	7	3	28	1	1	4	23	1	8	7	51		
12:15	2		9		0		4		2		13			
12:30	1		8		0		9		1		17			
12:45	4		8		0		6		4		14			
01:00	0	1	14	41	0	0	7	20	0	1	21	61		
01:15	0		6		0		3		0		9			
01:30	1		12		0		7		1		19			
01:45	0		9		0		3		0		12			
02:00	0	0	5	33	0	0	8	24	0	0	13	57		
02:15	0		10		0		6		0		16			
02:30	0		8		0		0		0		8			
02:45	0		10		0		10		0		20			
03:00	0	0	8	22	0	0	8	24	0	0	16	46		
03:15	0		2		0		6		0		8			
03:30	0		4		0		6		0		10			
03:45	0		8		0		4		0		12			
04:00	0	3	14	37	0	3	3	14	0	6	17	51		
04:15	0		8		0		5		0		13			
04:30	1		6		1		4		2		10			
04:45	2		9		2		2		4		11			
05:00	4	8	5	20	0	0	6	9	4	8	11	29		
05:15	0		4		0		1		0		5			
05:30	0		3		0		1		0		4			
05:45	4		8		0		1		4		9			
06:00	1	10	3	23	2	10	5	7	3	20	8	30		
06:15	0		10		5		0		5		10			
06:30	2		4		3		0		5		4			
06:45	7		6		0		2		7		8			
07:00	2	5	2	9	2	8	0	9	4	13	2	18		
07:15	1		1		4		8		5		9			
07:30	0		2		0		1		0		3			
07:45	2		4		2		0		4		4			
08:00	3	10	1	11	1	12	2	8	4	22	3	19		
08:15	2		3		1		0		3		3			
08:30	1		2		2		1		3		3			
08:45	4		5		8		5		12		10			
09:00	1	13	2	9	4	16	0	5	5	29	2	14		
09:15	4		3		1		3		5		6			
09:30	3		1		2		1		5		2			
09:45	5		3		9		1		14		4			
10:00	4	19	4	6	4	15	1	3	8	34	5	9		
10:15	3		2		3		0		6		2			
10:30	6		0		5		1		11		1			
10:45	6		0		3		1		9		1			
11:00	6	26	1	5	5	21	0	0	11	47	1	5		
11:15	6		0		4		0		10		0			
11:30	8		0		6		0		14		0			
11:45	6		4		6		0		12		4			
Totals	102		244		86		146		188		390			
Split%	54.3		62.6		45.7		37.4							
Day Totals		346				232				578				
Day Splits		59.9				40.1								
Peak Hour	10:45		01:00		09:45		02:45		11:00		12:15			
Volume	26		41		21		30		47		65			
Factor	0.81		0.73		0.58		0.75		0.84		0.77			

**Transportation Studies, Inc.**

2640 Walnut Avenue, Suite L  
Tustin, CA. 92780

Location : DOMINGO AVENUE  
Segment : W/O DOHENY PARK RD  
Client : LL&G

Site: DANA POINT  
Date: 01/15/20

Interval	EB				WB				Combined				Day:	Wednesday
	AM		PM		AM		PM		AM		PM			
12:00	0	2	4	21	0	0	1	21	0	2	5	42		
12:15	0		6		0		4		0		10			
12:30	2		5		0		8		2		13			
12:45	0		6		0		8		0		14			
01:00	0	0	6	19	0	0	4	14	0	0	10	33		
01:15	0		1		0		2		0		3			
01:30	0		8		0		4		0		12			
01:45	0		4		0		4		0		8			
02:00	0	0	6	18	0	0	10	18	0	0	16	36		
02:15	0		6		0		2		0		8			
02:30	0		4		0		2		0		6			
02:45	0		2		0		4		0		6			
03:00	0	0	6	15	0	0	8	18	0	0	14	33		
03:15	0		6		0		6		0		12			
03:30	0		1		0		2		0		3			
03:45	0		2		0		2		0		4			
04:00	2	2	4	18	1	1	4	12	3	3	8	30		
04:15	0		8		0		4		0		12			
04:30	0		4		0		0		0		4			
04:45	0		2		0		4		0		6			
05:00	1	2	2	13	0	3	6	15	1	5	8	28		
05:15	1		1		3		1		4		2			
05:30	0		8		0		6		0		14			
05:45	0		2		0		2		0		4			
06:00	2	6	0	8	2	21	4	8	4	27	4	16		
06:15	0		4		1		2		1		6			
06:30	0		3		2		2		2		5			
06:45	4		1		16		0		20		1			
07:00	8	17	3	4	10	22	8	11	18	39	11	15		
07:15	4		0		5		0		9		0			
07:30	1		0		4		2		5		2			
07:45	4		1		3		1		7		2			
08:00	8	19	0	3	4	11	1	7	12	30	1	10		
08:15	7		1		3		4		10		5			
08:30	2		2		2		2		4		4			
08:45	2		0		2		0		4		0			
09:00	3	9	2	9	3	7	1	7	6	16	3	16		
09:15	2		4		0		2		2		6			
09:30	3		3		0		4		3		7			
09:45	1		0		4		0		5		0			
10:00	0	11	0	1	6	22	1	1	6	33	1	2		
10:15	4		0		5		0		9		0			
10:30	5		1		3		0		8		1			
10:45	2		0		8		0		10		0			
11:00	2	13	0	2	2	17	1	5	4	30	1	7		
11:15	3		2		3		4		6		6			
11:30	4		0		4		0		8		0			
11:45	4		0		8		0		12		0			
Totals	81		131		104		137		185		268			
Split%	43.8		48.9		56.2		51.1							
Day Totals		212				241				453				
Day Splits		46.8				53.2								
Peak Hour	07:45		01:30		06:45		12:15		06:45		12:15			
Volume	21		24		35		24		52		47			
Factor	0.66		0.75		0.55		0.75		0.65		0.84			

**Transportation Studies, Inc.**

2640 Walnut Avenue, Suite L  
Tustin, CA. 92780

Location : DOMINGO AVENUE  
Segment : W/O DOHENY PARK RD  
Client : LL&G

Site: DANA POINT  
Date: 01/18/20

Interval	EB				WB				Combined				Day:	Saturday
	AM		PM		AM		PM		AM		PM			
12:00	3	3	3	13	2	3	4	20	5	6	7	33		
12:15	0		4		0		10		0		14			
12:30	0		1		1		2		1		3			
12:45	0		5		0		4		0		9			
01:00	0	0	6	13	0	0	6	17	0	0	12	30		
01:15	0		4		0		4		0		8			
01:30	0		2		0		6		0		8			
01:45	0		1		0		1		0		2			
02:00	0	0	0	1	0	0	0	0	0	0	0	1		
02:15	0		1		0		0		0		1			
02:30	0		0		0		0		0		0			
02:45	0		0		0		0		0		0			
03:00	2	3	4	5	0	1	4	9	2	4	8	14		
03:15	1		0		1		1		2		1			
03:30	0		0		0		2		0		2			
03:45	0		1		0		2		0		3			
04:00	0	0	5	15	0	0	2	6	0	0	7	21		
04:15	0		6		0		2		0		8			
04:30	0		3		0		1		0		4			
04:45	0		1		0		1		0		2			
05:00	0	0	1	16	0	0	3	15	0	0	4	31		
05:15	0		5		0		4		0		9			
05:30	0		8		0		6		0		14			
05:45	0		2		0		2		0		4			
06:00	0	6	2	23	0	4	6	38	0	10	8	61		
06:15	4		4		2		8		6		12			
06:30	2		6		2		10		4		16			
06:45	0		11		0		14		0		25			
07:00	2	4	10	27	2	4	14	38	4	8	24	65		
07:15	1		4		0		6		1		10			
07:30	1		9		2		12		3		21			
07:45	0		4		0		6		0		10			
08:00	1	6	3	11	3	5	5	21	4	11	8	32		
08:15	3		3		0		6		3		9			
08:30	1		4		0		6		1		10			
08:45	1		1		2		4		3		5			
09:00	4	11	1	14	2	6	2	15	6	17	3	29		
09:15	1		1		2		1		3		2			
09:30	2		9		1		8		3		17			
09:45	4		3		1		4		5		7			
10:00	4	13	6	8	5	12	4	6	9	25	10	14		
10:15	1		2		1		2		2		4			
10:30	6		0		4		0		10		0			
10:45	2		0		2		0		4		0			
11:00	12	20	1	5	8	20	2	7	20	40	3	12		
11:15	3		0		4		1		7		1			
11:30	4		3		4		2		8		5			
11:45	1		1		4		2		5		3			
Totals	66		151		55		192		121		343			
Split%	54.5		44.0		45.5		56.0							
Day Totals		217				247				464				
Day Splits		46.8				53.2								
Peak Hour	10:30		06:45		11:00		06:15		10:30		06:45			
Volume	23		34		20		46		41		80			
Factor	0.48		0.77		0.63		0.82		0.51		0.80			

**Transportation Studies, Inc.**

2640 Walnut Avenue, Suite L  
Tustin, CA. 92780

Location : LAS VEGAS AVENUE  
Segment : W/O DOHENY PARK RD  
Client : LL&G

Site: DANA POINT  
Date: 01/15/20

Interval	WB				EB				Combined		Day:	Wednesday
	AM		PM		AM		PM		AM	PM		
12:00	0	8	16	63	0	2	26	61	0	10	42	124
12:15	4		14		0		14		4		28	
12:30	4		14		0		8		4		22	
12:45	0		19		2		13		2		32	
01:00	0	0	26	114	0	1	16	59	0	1	42	173
01:15	0		43		0		16		0		59	
01:30	0		28		0		16		0		44	
01:45	0		17		1		11		1		28	
02:00	0	0	33	98	0	0	29	99	0	0	62	197
02:15	0		23		0		22		0		45	
02:30	0		22		0		30		0		52	
02:45	0		20		0		18		0		38	
03:00	0	1	9	34	0	1	20	95	0	2	29	129
03:15	0		1		0		43		0		44	
03:30	1		12		1		32		2		44	
03:45	0		12		0		0		0		12	
04:00	0	2	27	70	0	0	13	53	0	2	40	123
04:15	0		14		0		9		0		23	
04:30	0		21		0		23		0		44	
04:45	2		8		0		8		2		16	
05:00	8	23	22	46	4	14	20	53	12	37	42	99
05:15	10		4		4		8		14		12	
05:30	1		17		0		14		1		31	
05:45	4		3		6		11		10		14	
06:00	1	31	3	9	2	26	6	20	3	57	9	29
06:15	12		2		4		6		16		8	
06:30	8		2		6		2		14		4	
06:45	10		2		14		6		24		8	
07:00	7	30	0	5	12	46	0	6	19	76	0	11
07:15	8		1		12		2		20		3	
07:30	8		2		6		0		14		2	
07:45	7		2		16		4		23		6	
08:00	12	56	0	2	18	60	0	2	30	116	0	4
08:15	14		0		14		0		28		0	
08:30	14		2		10		2		24		4	
08:45	16		0		18		0		34		0	
09:00	18	93	1	7	18	71	0	5	36	164	1	12
09:15	34		2		23		2		57		4	
09:30	11		2		10		0		21		2	
09:45	30		2		20		3		50		5	
10:00	24	85	0	1	27	90	0	2	51	175	0	3
10:15	19		0		20		0		39		0	
10:30	14		1		18		2		32		3	
10:45	28		0		25		0		53		0	
11:00	29	30	0	0	30	144	0	1	59	174	0	1
11:15	0		0		46		0		46		0	
11:30	0		0		48		0		48		0	
11:45	1		0		20		1		21		1	
Totals	359		449		455		456		814		905	
Split%	44.1		49.6		55.9		50.4					
Day Totals		808				911				1,719		
Day Splits		47.0				53.0						
Peak Hour	09:15		01:15		10:45		02:45		10:45		02:00	
Volume	99		121		149		113		206		197	
Factor	0.73		0.70		0.78		0.66		0.87		0.79	



**Transportation Studies, Inc.**

2640 Walnut Avenue, Suite L  
Tustin, CA. 92780

Location : LAS VEGAS AVENUE  
Segment : W/O DOHENY PARK ROAD  
Client : LL&G

Site: DANA POINT  
Date: 01/18/20

Interval	WB				EB				Combined		Day:	Saturday
	AM		PM		AM		PM		AM	PM		
12:00	0	0	6	47	0	0	16	98	0	0	22	145
12:15	0		12		0		17		0		29	
12:30	0		15		0		31		0		46	
12:45	0		14		0		34		0		48	
01:00	0	1	12	36	2	4	28	64	2	5	40	100
01:15	0		6		0		12		0		18	
01:30	1		6		1		12		2		18	
01:45	0		12		1		12		1		24	
02:00	4	4	10	30	2	14	11	55	6	18	21	85
02:15	0		6		8		10		8		16	
02:30	0		8		4		22		4		30	
02:45	0		6		0		12		0		18	
03:00	0	0	9	27	0	0	12	61	0	0	21	88
03:15	0		4		0		8		0		12	
03:30	0		6		0		21		0		27	
03:45	0		8		0		20		0		28	
04:00	0	4	7	23	1	7	15	42	1	11	22	65
04:15	1		6		1		10		2		16	
04:30	1		7		2		9		3		16	
04:45	2		3		3		8		5		11	
05:00	1	1	6	22	1	2	23	49	2	3	29	71
05:15	0		6		1		12		1		18	
05:30	0		4		0		8		0		12	
05:45	0		6		0		6		0		12	
06:00	0	5	1	9	1	11	1	17	1	16	2	26
06:15	1		4		2		6		3		10	
06:30	1		4		4		8		5		12	
06:45	3		0		4		2		7		2	
07:00	4	13	4	11	8	25	4	29	12	38	8	40
07:15	4		1		6		4		10		5	
07:30	1		2		3		18		4		20	
07:45	4		4		8		3		12		7	
08:00	9	30	2	4	14	63	2	8	23	93	4	12
08:15	8		1		13		0		21		1	
08:30	9		1		23		4		32		5	
08:45	4		0		13		2		17		2	
09:00	3	32	2	2	12	60	5	9	15	92	7	11
09:15	10		0		10		1		20		1	
09:30	11		0		17		2		28		2	
09:45	8		0		21		1		29		1	
10:00	6	46	1	2	16	65	1	8	22	111	2	10
10:15	12		1		20		4		32		5	
10:30	8		0		6		1		14		1	
10:45	20		0		23		2		43		2	
11:00	10	43	0	1	18	86	2	4	28	129	2	5
11:15	10		0		22		1		32		1	
11:30	9		1		26		1		35		2	
11:45	14		0		20		0		34		0	
Totals	179		214		337		444		516		658	
Split%	34.7		32.5		65.3		67.5					
Day Totals		393				781			1,174			
Day Splits		33.5				66.5						
Peak Hour	10:15		12:15		10:45		12:15		10:45		12:15	
Volume	50		53		89		110		138		163	
Factor	0.63		0.88		0.86		0.81		0.80		0.85	

**Transportation Studies, Inc.**

2640 Walnut Avenue, Suite L  
Tustin, CA. 92780

Location : VICTORIA BOULEVARD  
Segment : E/O DOHENY PARK RD  
Client : LL&G

Site: DANA POINT  
Date: 01/15/20

Interval	EB				WB				Combined		Day:	Wednesday
	AM	PM	AM	PM	AM	PM	AM	PM				
12:00	4	10	36	111	3	6	44	153	7	16	80	264
12:15	3		25		0		35		3		60	
12:30	1		27		1		35		2		62	
12:45	2		23		2		39		4		62	
01:00	1	1	27	133	1	3	30	134	2	4	57	267
01:15	0		34		0		31		0		65	
01:30	0		38		1		33		1		71	
01:45	0		34		1		40		1		74	
02:00	0	1	30	136	0	0	36	166	0	1	66	302
02:15	1		41		0		56		1		97	
02:30	0		29		0		42		0		71	
02:45	0		36		0		32		0		68	
03:00	0	0	36	137	0	3	37	151	0	3	73	288
03:15	0		34		0		30		0		64	
03:30	0		33		1		44		1		77	
03:45	0		34		2		40		2		74	
04:00	0	4	47	176	1	17	40	152	1	21	87	328
04:15	2		39		1		32		3		71	
04:30	0		42		4		38		4		80	
04:45	2		48		11		42		13		90	
05:00	3	30	30	151	3	22	48	159	6	52	78	310
05:15	4		35		5		33		9		68	
05:30	5		36		5		34		10		70	
05:45	18		50		9		44		27		94	
06:00	5	34	46	130	29	92	26	106	34	126	72	236
06:15	3		37		22		24		25		61	
06:30	11		20		17		29		28		49	
06:45	15		27		24		27		39		54	
07:00	12	74	21	85	32	171	16	65	44	245	37	150
07:15	18		22		38		26		56		48	
07:30	21		22		57		11		78		33	
07:45	23		20		44		12		67		32	
08:00	26	104	15	55	36	137	12	64	62	241	27	119
08:15	22		12		40		11		62		23	
08:30	22		15		28		15		50		30	
08:45	34		13		33		26		67		39	
09:00	20	79	9	40	38	125	11	42	58	204	20	82
09:15	21		13		26		10		47		23	
09:30	13		7		32		15		45		22	
09:45	25		11		29		6		54		17	
10:00	23	81	6	16	22	119	3	11	45	200	9	27
10:15	16		4		25		3		41		7	
10:30	19		3		36		3		55		6	
10:45	23		3		36		2		59		5	
11:00	28	102	2	8	30	158	3	4	58	260	5	12
11:15	19		3		34		0		53		3	
11:30	25		3		40		0		65		3	
11:45	30		0		54		1		84		1	
Totals	520		1,178		853		1,207		1,373		2,385	
Split%	37.9		49.4		62.1		50.6					
Day Totals		1,698				2,060				3,758		
Day Splits		45.2				54.8						
Peak Hour	08:00		04:00		07:30		01:45		07:30		04:00	
Volume	104		176		177		174		269		328	
Factor	0.76		0.92		0.78		0.78		0.86		0.91	

**Transportation Studies, Inc.**

2640 Walnut Avenue, Suite L  
Tustin, CA. 92780

Location : VICTORIA BOULEVARD  
Segment : E/O DOHENY PARK RD  
Client : LL&G

Site: DANA POINT  
Date: 01/18/20

Interval	EB				WB				Combined		Day:	Saturday
	AM	PM	AM	PM	AM	PM	AM	PM				
12:00	3	16	30	122	5	10	46	137	8	26	76	259
12:15	4		32		3		31		7		63	
12:30	6		36		1		32		7		68	
12:45	3		24		1		28		4		52	
01:00	2	6	27	99	1	7	31	122	3	13	58	221
01:15	0		24		2		32		2		56	
01:30	3		30		2		27		5		57	
01:45	1		18		2		32		3		50	
02:00	1	4	20	103	3	5	35	115	4	9	55	218
02:15	1		31		0		29		1		60	
02:30	2		21		1		26		3		47	
02:45	0		31		1		25		1		56	
03:00	0	1	24	115	0	2	44	123	0	3	68	238
03:15	0		36		1		28		1		64	
03:30	1		33		0		25		1		58	
03:45	0		22		1		26		1		48	
04:00	0	3	26	101	0	9	29	117	0	12	55	218
04:15	0		28		3		22		3		50	
04:30	2		26		2		36		4		62	
04:45	1		21		4		30		5		51	
05:00	0	8	20	93	3	12	33	102	3	20	53	195
05:15	1		36		2		27		3		63	
05:30	1		17		4		25		5		42	
05:45	6		20		3		17		9		37	
06:00	5	14	33	89	9	49	20	69	14	63	53	158
06:15	2		16		12		16		14		32	
06:30	4		20		12		15		16		35	
06:45	3		20		16		18		19		38	
07:00	8	36	11	51	21	88	10	56	29	124	21	107
07:15	6		13		24		17		30		30	
07:30	7		16		19		16		26		32	
07:45	15		11		24		13		39		24	
08:00	10	48	15	50	20	86	2	21	30	134	17	71
08:15	12		12		28		9		40		21	
08:30	10		10		20		3		30		13	
08:45	16		13		18		7		34		20	
09:00	14	63	10	32	36	140	7	24	50	203	17	56
09:15	24		5		24		10		48		15	
09:30	11		12		32		3		43		15	
09:45	14		5		48		4		62		9	
10:00	21	85	10	25	30	134	5	23	51	219	15	48
10:15	14		6		28		7		42		13	
10:30	29		7		36		5		65		12	
10:45	21		2		40		6		61		8	
11:00	10	75	9	26	43	152	7	20	53	227	16	46
11:15	21		7		36		5		57		12	
11:30	19		6		31		6		50		12	
11:45	25		4		42		2		67		6	
Totals	359		906		694		929		1.053		1.835	
Split%	34.1		49.4		65.9		50.6					
Day Totals		1.265				1.623				2.888		
Day Splits		43.8				56.2						
Peak Hour	10:00		02:45		10:30		12:00		10:30		12:00	
Volume	85		124		155		137		236		259	
Factor	0.73		0.86		0.90		0.74		0.91		0.85	

**Transportation Studies, Inc.**

2640 Walnut Avenue, Suite L  
Tustin, CA. 92780

Location : DOMINGO AVENUE  
Segment : E/O DOHENY PARK ROAD  
Client : LL&G

Site: DANA POINT  
Date: 01/23/20

Interval	EB			WB			Combined		Day:	Thursday		
	AM	PM		AM	PM		AM	PM				
12:00	1	3	3	22	0	0	3	13	1	3	6	35
12:15	0		6		0		6		0		12	
12:30	1		6		0		0		1		6	
12:45	1		7		0		4		1		11	
01:00	0	1	10	26	0	0	10	24	0	1	20	50
01:15	0		3		0		2		0		5	
01:30	0		8		0		8		0		16	
01:45	1		5		0		4		1		9	
02:00	0	0	8	40	0	2	2	13	0	2	10	53
02:15	0		11		0		3		0		14	
02:30	0		10		0		6		0		16	
02:45	0		11		2		2		2		13	
03:00	0	1	13	36	0	0	3	10	0	1	16	46
03:15	0		7		0		3		0		10	
03:30	1		10		0		2		1		12	
03:45	0		6		0		2		0		8	
04:00	0	3	17	39	0	2	3	21	0	5	20	60
04:15	0		6		2		5		2		11	
04:30	3		10		0		4		3		14	
04:45	0		6		0		9		0		15	
05:00	1	4	8	21	0	4	1	12	1	8	9	33
05:15	0		2		2		3		2		5	
05:30	0		5		0		6		0		11	
05:45	3		6		2		2		5		8	
06:00	0	9	16	71	2	9	8	19	2	18	24	90
06:15	1		18		2		2		3		20	
06:30	0		17		3		8		3		25	
06:45	8		20		2		1		10		21	
07:00	6	31	18	30	4	28	2	8	10	59	20	38
07:15	14		4		8		0		22		4	
07:30	5		3		6		0		11		3	
07:45	6		5		10		6		16		11	
08:00	7	19	4	23	6	24	6	15	13	43	10	38
08:15	4		6		6		3		10		9	
08:30	7		7		4		2		11		9	
08:45	1		6		8		4		9		10	
09:00	5	26	6	14	10	25	11	22	15	51	17	36
09:15	14		2		4		6		18		8	
09:30	4		3		9		5		13		8	
09:45	3		3		2		0		5		3	
10:00	4	23	1	9	2	6	2	2	6	29	3	11
10:15	5		6		0		0		5		6	
10:30	4		0		4		0		8		0	
10:45	10		2		0		0		10		2	
11:00	10	27	1	9	4	18	0	1	14	45	1	10
11:15	9		4		8		1		17		5	
11:30	5		2		0		0		5		2	
11:45	3		2		6		0		9		2	
Totals	147		340		118		160		265		500	
Split%	55.5		68.0		44.5		32.0					
Day Totals		487				278				765		
Day Splits		63.7				36.3						
Peak Hour	10:45		06:15		08:45		08:45		07:15		06:00	
Volume	34		73		31		26		62		90	
Factor	0.85		0.91		0.77		0.59		0.70		0.90	

**Transportation Studies, Inc.**

2640 Walnut Avenue, Suite L  
Tustin, CA. 92780

Location : DOMINGO AVENUE  
Segment : E/O DOHENY PARK ROAD  
Client : LL&G

Site: DANA POINT  
Date: 01/25/20

Interval	EB				WB				Combined				Day:	Saturday
	AM	PM	AM	PM	AM	PM	AM	PM						
12:00	6	13	4	21	0	4	10	32	6	17	14	53		
12:15	4		10		4		10		8		20			
12:30	2		1		0		8		2		9			
12:45	1		6		0		4		1		10			
01:00	1	5	3	12	1	2	3	12	2	7	6	24		
01:15	4		4		1		5		5		9			
01:30	0		1		0		2		0		3			
01:45	0		4		0		2		0		6			
02:00	2	2	4	14	1	1	5	16	3	3	9	30		
02:15	0		6		0		4		0		10			
02:30	0		2		0		6		0		8			
02:45	0		2		0		1		0		3			
03:00	0	1	4	18	0	1	2	12	0	2	6	30		
03:15	0		7		0		8		0		15			
03:30	1		5		1		2		2		7			
03:45	0		2		0		0		0		2			
04:00	0	0	10	27	0	0	2	18	0	0	12	45		
04:15	0		8		0		4		0		12			
04:30	0		5		0		8		0		13			
04:45	0		4		0		4		0		8			
05:00	0	0	8	33	0	3	6	20	0	3	14	53		
05:15	0		6		2		1		2		7			
05:30	0		12		1		9		1		21			
05:45	0		7		0		4		0		11			
06:00	1	2	10	23	2	11	4	17	3	13	14	40		
06:15	0		6		0		0		0		6			
06:30	0		2		4		3		4		5			
06:45	1		5		5		10		6		15			
07:00	4	10	10	22	2	12	3	8	6	22	13	30		
07:15	2		2		2		0		4		2			
07:30	0		6		6		2		6		8			
07:45	4		4		2		3		6		7			
08:00	6	15	5	10	0	8	2	7	6	23	7	17		
08:15	3		1		4		1		7		2			
08:30	0		2		2		4		2		6			
08:45	6		2		2		0		8		2			
09:00	6	23	2	13	4	12	0	2	10	35	2	15		
09:15	3		1		2		0		5		1			
09:30	12		2		2		2		14		4			
09:45	2		8		4		0		6		8			
10:00	7	33	3	12	1	13	1	5	8	46	4	17		
10:15	7		5		2		2		9		7			
10:30	8		2		4		2		12		4			
10:45	11		2		6		0		17		2			
11:00	10	15	2	5	3	13	1	2	13	28	3	7		
11:15	4		0		5		0		9		0			
11:30	1		2		4		0		5		2			
11:45	0		1		1		1		1		2			
Totals	119		210		80		151		199		361			
Split%	59.8		58.2		40.2		41.8							
Day Totals		329				231				560				
Day Splits		58.8				41.3								
Peak Hour	10:15		05:15		10:30		12:00		10:15		12:00			
Volume	36		35		18		32		51		53			
Factor	0.82		0.73		0.75		0.80		0.75		0.66			

**Transportation Studies, Inc.**

2640 Walnut Avenue, Suite L  
Tustin, CA. 92780

Location : CAMINO CAPISTRANO  
Segment : S/O VICTORIA BLVD  
Client : LL&G

Site: DANA POINT  
Date: 01/15/20

Interval	SB				NB				Combined		Day:	Wednesday
	AM		PM		AM		PM		AM	PM		
12:00	2	6	38	180	0	2	46	181	2	8	84	361
12:15	2		40		2		45		4		85	
12:30	2		52		0		28		2		80	
12:45	0		50		0		62		0		112	
01:00	2	2	46	212	0	2	43	182	2	4	89	394
01:15	0		54		1		46		1		100	
01:30	0		60		1		41		1		101	
01:45	0		52		0		52		0		104	
02:00	1	3	61	214	1	2	66	197	2	5	127	411
02:15	1		51		0		41		1		92	
02:30	1		52		1		50		2		102	
02:45	0		50		0		40		0		90	
03:00	0	0	44	204	0	1	52	182	0	1	96	386
03:15	0		54		0		34		0		88	
03:30	0		55		0		48		0		103	
03:45	0		51		1		48		1		99	
04:00	0	2	72	253	1	16	44	166	1	18	116	419
04:15	0		62		3		34		3		96	
04:30	0		59		3		43		3		102	
04:45	2		60		9		45		11		105	
05:00	2	6	81	254	5	19	42	178	7	25	123	432
05:15	1		53		5		48		6		101	
05:30	1		54		5		48		6		102	
05:45	2		66		4		40		6		106	
06:00	6	33	52	159	10	80	34	128	16	113	86	287
06:15	4		42		21		31		25		73	
06:30	9		33		25		33		34		66	
06:45	14		32		24		30		38		62	
07:00	16	114	27	102	28	223	16	62	44	337	43	164
07:15	18		21		45		22		63		43	
07:30	50		27		74		14		124		41	
07:45	30		27		76		10		106		37	
08:00	34	132	23	83	50	203	11	32	84	335	34	115
08:15	38		17		57		8		95		25	
08:30	34		17		52		4		86		21	
08:45	26		26		44		9		70		35	
09:00	52	153	28	64	50	189	8	24	102	342	36	88
09:15	38		13		47		8		85		21	
09:30	28		9		44		4		72		13	
09:45	35		14		48		4		83		18	
10:00	38	148	5	19	40	162	5	14	78	310	10	33
10:15	30		5		37		2		67		7	
10:30	34		6		40		5		74		11	
10:45	46		3		45		2		91		5	
11:00	36	152	2	13	44	211	2	5	80	363	4	18
11:15	39		4		55		1		94		5	
11:30	41		7		52		1		93		8	
11:45	36		0		60		1		96		1	
Totals	751		1,757		1,110		1,351		1,861		3,108	
Split%	40.4		56.5		59.6		43.5					
Day Totals		2,508				2,461				4,969		
Day Splits		50.5				49.5						
Peak Hour	10:45		04:15		07:30		01:45		07:30		01:15	
Volume	162		262		257		209		409		432	
Factor	0.88		0.81		0.85		0.79		0.82		0.85	

**Transportation Studies, Inc.**

2640 Walnut Avenue, Suite L  
Tustin, CA. 92780

Location : CAMINO CAPISTRANO  
Segment : S/O VICTORIA BLVD  
Client : LL&G

Site: DANA POINT  
Date: 01/18/20

Interval	SB				NB				Combined		Day:	Saturday
	AM		PM		AM		PM		AM	PM		
12:00	3	20	56	223	4	9	34	119	7	29	90	342
12:15	4		61		5		32		9		93	
12:30	9		58		0		25		9		83	
12:45	4		48		0		28		4		76	
01:00	2	4	58	205	0	1	26	113	2	5	84	318
01:15	1		40		1		34		2		74	
01:30	0		53		0		24		0		77	
01:45	1		54		0		29		1		83	
02:00	3	5	62	242	0	2	19	91	3	7	81	333
02:15	1		66		1		25		2		91	
02:30	1		58		1		21		2		79	
02:45	0		56		0		26		0		82	
03:00	0	1	56	231	2	2	23	90	2	3	79	321
03:15	0		72		0		20		0		92	
03:30	1		68		0		15		1		83	
03:45	0		35		0		32		0		67	
04:00	1	4	56	212	0	7	34	132	1	11	90	344
04:15	1		54		2		24		3		78	
04:30	1		38		2		44		3		82	
04:45	1		64		3		30		4		94	
05:00	4	5	35	165	0	7	28	111	4	12	63	276
05:15	1		52		2		30		3		82	
05:30	0		38		0		33		0		71	
05:45	0		40		5		20		5		60	
06:00	0	10	46	143	3	39	18	77	3	49	64	220
06:15	1		29		5		31		6		60	
06:30	6		41		11		8		17		49	
06:45	3		27		20		20		23		47	
07:00	12	53	22	101	10	75	9	58	22	128	31	159
07:15	12		26		16		18		28		44	
07:30	9		27		17		11		26		38	
07:45	20		26		32		20		52		46	
08:00	10	85	16	71	30	127	8	27	40	212	24	98
08:15	20		14		31		12		51		26	
08:30	27		19		30		5		57		24	
08:45	28		22		36		2		64		24	
09:00	41	150	16	54	37	171	5	15	78	321	21	69
09:15	43		14		30		4		73		18	
09:30	34		12		48		0		82		12	
09:45	32		12		56		6		88		18	
10:00	42	181	12	40	34	156	6	21	76	337	18	61
10:15	42		8		38		1		80		9	
10:30	47		14		28		3		75		17	
10:45	50		6		56		11		106		17	
11:00	36	152	14	23	38	168	2	8	74	320	16	31
11:15	45		4		48		0		93		4	
11:30	33		3		42		2		75		5	
11:45	38		2		40		4		78		6	
Totals	670		1,710		764		862		1,434		2,572	
Split%	46.7		66.5		53.3		33.5					
Day Totals		2,380				1,626				4,006		
Day Splits		59.4				40.6						
Peak Hour	10:00		02:45		10:45		03:45		10:30		04:00	
Volume	181		252		184		134		348		344	
Factor	0.90		0.88		0.82		0.76		0.82		0.91	

**Transportation Studies, Inc.**

2640 Walnut Avenue, Suite L  
Tustin, CA. 92780

Location : CAMINO CAPISTRANO  
Segment : S/O SEPULVEDA AVE  
Client : LL&G

Site: DANA POINT  
Date: 01/15/20  
File: D2001028

Interval	SB				NB				Combined		Day:	Wednesday
	AM		PM		AM		PM		AM	PM		
12:00	3	5	26	127	1	2	30	113	4	7	56	240
12:15	1		24		1		26		2		50	
12:30	1		37		0		17		1		54	
12:45	0		40		0		40		0		80	
01:00	0	0	34	149	0	1	25	108	0	1	59	257
01:15	0		28		0		32		0		60	
01:30	0		35		1		24		1		59	
01:45	0		52		0		27		0		79	
02:00	1	1	40	134	0	1	44	134	1	2	84	268
02:15	0		27		0		25		0		52	
02:30	0		36		1		30		1		66	
02:45	0		31		0		35		0		66	
03:00	0	0	32	162	0	2	35	132	0	2	67	294
03:15	0		42		1		24		1		66	
03:30	0		48		0		41		0		89	
03:45	0		40		1		32		1		72	
04:00	0	1	51	174	1	12	29	103	1	13	80	277
04:15	0		36		3		26		3		62	
04:30	0		40		3		24		3		64	
04:45	1		47		5		24		6		71	
05:00	0	6	54	163	5	15	33	125	5	21	87	288
05:15	1		38		2		30		3		68	
05:30	1		38		5		36		6		74	
05:45	4		33		3		26		7		59	
06:00	6	48	39	101	8	57	27	90	14	105	66	191
06:15	10		25		15		28		25		53	
06:30	16		20		16		19		32		39	
06:45	16		17		18		16		34		33	
07:00	22	96	18	66	28	173	8	43	50	269	26	109
07:15	18		12		33		10		51		22	
07:30	34		17		56		17		90		34	
07:45	22		19		56		8		78		27	
08:00	28	116	16	55	46	155	6	20	74	271	22	75
08:15	26		9		36		4		62		13	
08:30	36		13		37		6		73		19	
08:45	26		17		36		4		62		21	
09:00	36	113	18	40	30	134	6	17	66	247	24	57
09:15	26		6		35		6		61		12	
09:30	23		6		38		1		61		7	
09:45	28		10		31		4		59		14	
10:00	28	116	5	16	32	111	3	10	60	227	8	26
10:15	34		5		27		3		61		8	
10:30	32		5		24		2		56		7	
10:45	22		1		28		2		50		3	
11:00	26	108	2	9	26	129	2	5	52	237	4	14
11:15	30		3		31		1		61		4	
11:30	30		3		32		1		62		4	
11:45	22		1		40		1		62		2	
Totals	610		1,196		792		900		1,402		2,096	
Split%	43.5		57.1		56.5		42.9					
Day Totals		1,806				1,692				3,498		
Day Splits		51.6				48.4						
Peak Hour	08:15		03:15		07:30		02:45		07:30		03:15	
Volume	124		181		194		135		304		307	
Factor	0.86		0.89		0.87		0.82		0.84		0.86	



**Transportation Studies, Inc.**

2640 Walnut Avenue, Suite L  
Tustin, CA. 92780

Location : CAMINO CAPISTRANO  
Segment : S/O SEPULVEDA AVENUE  
Client : LL&G

Site: DANA POINT  
Date: 01/25/20

Interval	NB			SB			Combined		Day:	Saturday		
	AM	PM		AM	PM		AM	PM				
12:00	5	7	32	133	4	7	30	120	9	14	62	253
12:15	1		35		1		33		2		68	
12:30	1		38		0		31		1		69	
12:45	0		28		2		26		2		54	
01:00	1	2	32	128	0	2	30	129	1	4	62	257
01:15	1		30		0		27		1		57	
01:30	0		32		1		42		1		74	
01:45	0		34		1		30		1		64	
02:00	1	3	29	106	1	3	28	95	2	6	57	201
02:15	0		16		1		20		1		36	
02:30	0		30		0		22		0		52	
02:45	2		31		1		25		3		56	
03:00	0	2	31	114	0	0	27	139	0	2	58	253
03:15	0		24		0		36		0		60	
03:30	0		28		0		32		0		60	
03:45	2		31		0		44		2		75	
04:00	0	5	21	108	2	7	33	121	2	12	54	229
04:15	4		26		1		36		5		62	
04:30	0		29		2		26		2		55	
04:45	1		32		2		26		3		58	
05:00	1	5	39	104	2	5	28	88	3	10	67	192
05:15	2		24		1		26		3		50	
05:30	1		18		1		16		2		34	
05:45	1		23		1		18		2		41	
06:00	6	30	13	63	1	17	13	67	7	47	26	130
06:15	6		20		4		20		10		40	
06:30	5		18		4		14		9		32	
06:45	13		12		8		20		21		32	
07:00	16	68	13	37	6	30	13	53	22	98	26	90
07:15	13		9		3		11		16		20	
07:30	22		6		7		15		29		21	
07:45	17		9		14		14		31		23	
08:00	22	101	8	29	18	69	10	37	40	170	18	66
08:15	24		7		14		9		38		16	
08:30	26		3		17		12		43		15	
08:45	29		11		20		6		49		17	
09:00	22	101	6	18	31	97	8	32	53	198	14	50
09:15	21		4		22		6		43		10	
09:30	23		4		22		10		45		14	
09:45	35		4		22		8		57		12	
10:00	27	109	5	21	39	118	8	28	66	227	13	49
10:15	21		5		33		8		54		13	
10:30	23		3		22		3		45		6	
10:45	38		8		24		9		62		17	
11:00	24	105	1	12	31	111	7	17	55	216	8	29
11:15	22		5		30		3		52		8	
11:30	30		1		22		4		52		5	
11:45	29		5		28		3		57		8	
Totals	538		873		466		926		1,004		1,799	
Split%	53.6		48.5		46.4		51.5					
Day Totals		1,411				1,392				2,803		
Day Splits		50.3				49.7						
Peak Hour	10:45		12:00		10:00		03:15		10:00		01:00	
Volume	114		133		118		145		227		257	
Factor	0.75		0.88		0.76		0.82		0.86		0.87	

**Transportation Studies, Inc.**

2640 Walnut Avenue, Suite L  
Tustin, CA. 92780

Location : SEPULVEDA AVENUE  
Segment : CAMINO CAPISTRANO TO VICTORIA  
Client : LL&G

Site: DANA POINT  
Date: 01/30/20

Interval	SB				NB				Combined		Day:	Thursday
	AM		PM		AM		PM		AM	PM		
12:00	0	4	14	55	0	2	7	40	0	6	21	95
12:15	4		23		2		12		6		35	
12:30	0		15		0		11		0		26	
12:45	0		3		0		10		0		13	
01:00	0	0	10	52	1	1	4	30	1	1	14	82
01:15	0		8		0		4		0		12	
01:30	0		10		0		10		0		20	
01:45	0		24		0		12		0		36	
02:00	0	3	10	62	1	3	10	35	1	6	20	97
02:15	3		24		2		6		5		30	
02:30	0		12		0		7		0		19	
02:45	0		16		0		12		0		28	
03:00	0	2	10	57	0	2	12	50	0	4	22	107
03:15	0		11		0		6		0		17	
03:30	0		11		2		14		2		25	
03:45	2		25		0		18		2		43	
04:00	1	1	18	69	0	4	10	51	1	5	28	120
04:15	0		17		2		15		2		32	
04:30	0		16		0		14		0		30	
04:45	0		18		2		12		2		30	
05:00	2	12	12	66	0	12	8	36	2	24	20	102
05:15	2		26		2		6		4		32	
05:30	6		14		2		10		8		24	
05:45	2		14		8		12		10		26	
06:00	4	22	18	48	4	26	12	44	8	48	30	92
06:15	1		10		2		7		3		17	
06:30	7		8		8		10		15		18	
06:45	10		12		12		15		22		27	
07:00	23	69	8	28	20	68	8	31	43	137	16	59
07:15	18		10		28		6		46		16	
07:30	20		5		10		11		30		16	
07:45	8		5		10		6		18		11	
08:00	6	40	9	26	3	47	8	18	9	87	17	44
08:15	8		4		14		2		22		6	
08:30	18		3		16		5		34		8	
08:45	8		10		14		3		22		13	
09:00	12	37	6	17	8	32	6	16	20	69	12	33
09:15	8		2		13		4		21		6	
09:30	9		6		4		4		13		10	
09:45	8		3		7		2		15		5	
10:00	10	46	5	11	8	28	2	5	18	74	7	16
10:15	9		4		8		0		17		4	
10:30	16		1		8		2		24		3	
10:45	11		1		4		1		15		2	
11:00	10	50	1	4	6	32	4	10	16	82	5	14
11:15	10		1		5		4		15		5	
11:30	13		0		11		2		24		2	
11:45	17		2		10		0		27		2	
Totals	286		495		257		366		543		861	
Split%	52.7		57.5		47.3		42.5					
Day Totals		781				623				1,404		
Day Splits		55.6				44.4						
Peak Hour	06:45		03:45		06:45		03:30		06:45		03:45	
Volume	71		76		70		57		141		133	
Factor	0.77		0.76		0.63		0.79		0.77		0.77	

**Transportation Studies, Inc.**

2640 Walnut Avenue, Suite L  
Tustin, CA. 92780

Location : SEPULVEDA AVENUE  
Segment : CAMINO CAPISTRANO TO VICTORIA  
Client : LL&G

Site: DANA POINT  
Date: 02/01/20

Interval	SB				NB				Combined		Day:	Saturday
	AM		PM		AM		PM		AM	PM		
12:00	3	5	23	95	2	8	7	50	5	13	30	145
12:15	1		9		6		16		7		25	
12:30	1		25		0		9		1		34	
12:45	0		38		0		18		0		56	
01:00	0	6	22	60	0	3	8	34	0	9	30	94
01:15	2		13		0		13		2		26	
01:30	1		10		2		9		3		19	
01:45	3		15		1		4		4		19	
02:00	0	1	8	48	0	1	11	33	0	2	19	81
02:15	0		11		1		6		1		17	
02:30	1		22		0		8		1		30	
02:45	0		7		0		8		0		15	
03:00	0	1	19	57	0	4	8	25	0	5	27	82
03:15	1		10		2		10		3		20	
03:30	0		14		0		3		0		17	
03:45	0		14		2		4		2		18	
04:00	2	2	16	42	1	5	5	32	3	7	21	74
04:15	0		7		0		12		0		19	
04:30	0		10		2		9		2		19	
04:45	0		9		2		6		2		15	
05:00	2	4	5	49	0	3	8	31	2	7	13	80
05:15	0		12		0		7		0		19	
05:30	1		10		0		6		1		16	
05:45	1		22		3		10		4		32	
06:00	1	9	10	38	2	5	8	24	3	14	18	62
06:15	1		14		2		6		3		20	
06:30	4		8		0		2		4		10	
06:45	3		6		1		8		4		14	
07:00	7	27	6	25	8	31	4	20	15	58	10	45
07:15	6		4		6		2		12		6	
07:30	4		6		3		4		7		10	
07:45	10		9		14		10		24		19	
08:00	10	34	8	20	9	43	8	17	19	77	16	37
08:15	5		2		10		1		15		3	
08:30	12		3		12		1		24		4	
08:45	7		7		12		7		19		14	
09:00	17	44	7	15	12	41	4	15	29	85	11	30
09:15	10		4		10		6		20		10	
09:30	8		2		10		2		18		4	
09:45	9		2		9		3		18		5	
10:00	14	36	4	14	16	46	5	11	30	82	9	25
10:15	7		4		12		4		19		8	
10:30	12		0		10		0		22		0	
10:45	3		6		8		2		11		8	
11:00	12	40	4	8	4	28	6	13	16	68	10	21
11:15	6		3		10		3		16		6	
11:30	9		1		2		2		11		3	
11:45	13		0		12		2		25		2	
Totals	209		471		218		305		427		776	
Split%	48.9		60.7		51.1		39.3					
Day Totals		680				523			1,203			
Day Splits		56.5				43.5						
Peak Hour	08:30		12:30		09:30		12:15		08:30		12:30	
Volume	46		98		47		51		92		146	
Factor	0.68		0.64		0.73		0.71		0.79		0.65	

**VOLUME**

Camino Capistrano Bet. I-5 SB Ramps & Avenida Aeropuerto

Day: Tue - Thu  
Date: 11/13 - 11/15

**AVERAGE**

City: San Juan Capistrano  
Project #: CA18\_1242\_001

DAILY TOTALS					NB	SB	EB	WB	Total						
					6,435	17,320	0	0	23,755						
AM Period	NB	SB	EB	WB	TOTAL	PM Period	NB	SB	EB	WB	TOTAL				
00:00	7	20	0	0	27	12:00	134	316	0	0	450				
00:15	3	17	0	0	20	12:15	133	325	0	0	458				
00:30	3	10	0	0	13	12:30	138	299	0	0	437				
00:45	4	17	7	54	0	11	71	123	528	307	1247	0	0	430	1775
01:00	5	9	0	0	14	13:00	135	311	0	0	446				
01:15	2	9	0	0	11	13:15	126	327	0	0	453				
01:30	0	10	0	0	10	13:30	131	328	0	0	459				
01:45	1	8	9	37	0	10	45	121	513	299	1265	0	0	420	1778
02:00	1	11	0	0	12	14:00	121	321	0	0	442				
02:15	2	6	0	0	8	14:15	117	336	0	0	453				
02:30	0	5	0	0	5	14:30	133	319	0	0	452				
02:45	1	4	4	26	0	5	30	119	490	354	1330	0	0	473	1820
03:00	0	6	0	0	6	15:00	148	331	0	0	479				
03:15	0	6	0	0	6	15:15	144	363	0	0	507				
03:30	1	9	0	0	10	15:30	177	363	0	0	540				
03:45	1	2	8	29	0	9	31	135	604	366	1423	0	0	501	2027
04:00	1	19	0	0	20	16:00	146	368	0	0	514				
04:15	4	11	0	0	15	16:15	156	374	0	0	530				
04:30	3	22	0	0	25	16:30	147	344	0	0	491				
04:45	4	12	29	81	0	33	93	135	584	361	1447	0	0	496	2031
05:00	5	32	0	0	37	17:00	169	348	0	0	517				
05:15	10	54	0	0	64	17:15	133	367	0	0	500				
05:30	9	57	0	0	66	17:30	122	330	0	0	452				
05:45	18	42	94	237	0	112	279	100	524	314	1359	0	0	414	1883
06:00	24	105	0	0	129	18:00	108	293	0	0	401				
06:15	29	160	0	0	189	18:15	81	240	0	0	321				
06:30	38	179	0	0	217	18:30	75	247	0	0	322				
06:45	52	143	224	668	0	276	811	58	322	222	1002	0	0	280	1324
07:00	57	207	0	0	264	19:00	50	208	0	0	258				
07:15	80	251	0	0	331	19:15	53	183	0	0	236				
07:30	99	276	0	0	375	19:30	63	174	0	0	237				
07:45	107	343	301	1035	0	408	1378	42	208	167	732	0	0	209	940
08:00	130	266	0	0	396	20:00	41	140	0	0	181				
08:15	103	258	0	0	361	20:15	36	137	0	0	173				
08:30	95	221	0	0	316	20:30	33	105	0	0	138				
08:45	98	426	253	998	0	351	1424	21	131	110	492	0	0	131	623
09:00	105	239	0	0	344	21:00	26	104	0	0	130				
09:15	103	231	0	0	334	21:15	19	106	0	0	125				
09:30	96	245	0	0	341	21:30	23	83	0	0	106				
09:45	101	405	263	978	0	364	1383	17	85	62	355	0	0	79	440
10:00	100	274	0	0	374	22:00	18	65	0	0	83				
10:15	107	266	0	0	373	22:15	14	62	0	0	76				
10:30	125	265	0	0	390	22:30	16	45	0	0	61				
10:45	115	447	273	1078	0	388	1525	43	91	44	216	0	0	87	307
11:00	120	256	0	0	376	23:00	12	35	0	0	47				
11:15	130	263	0	0	393	23:15	6	30	0	0	36				
11:30	114	294	0	0	408	23:30	4	27	0	0	31				
11:45	115	479	302	1115	0	417	1594	5	27	24	116	0	0	29	143
<b>TOTALS</b>	2328	6336			8664	<b>TOTALS</b>	4107	10984			15091				
<b>SPLIT %</b>	26.9%	73.1%			36.5%	<b>SPLIT %</b>	27.2%	72.8%			63.5%				

DAILY TOTALS					NB	SB	EB	WB	Total
					6,435	17,320	0	0	23,755

AM Peak Hour	11:45	11:45			11:45	PM Peak Hour	15:30	15:30			15:30
AM Pk Volume	520	1242			1762	PM Pk Volume	614	1471			2085
Pk Hr Factor	0.942	0.955			0.962	Pk Hr Factor	0.867	0.983			0.965
7 - 9 Volume	769	2033	0	0	2802	4 - 6 Volume	1108	2806	0	0	3914
7 - 9 Peak Hour	07:30	07:30			07:30	4 - 6 Peak Hour	16:15	16:00			16:15
7 - 9 Pk Volume	439	1101	0	0	1540	4 - 6 Pk Volume	607	1447	0	0	2054
Pk Hr Factor	0.844	0.914	0.000	0.000	0.944	Pk Hr Factor	0.898	0.967	0.000	0.000	0.959

**VOLUME**

Camino Capistrano Bet. Avenida Aeropuerto & Stonehill Dr/I-5 NB On-Ramp

Day: Tue - Thu

**AVERAGE**

City: San Juan Capistrano

Date: 11/13 - 11/15

Project #: CA18\_1242\_002

DAILY TOTALS					NB	SB	EB	WB	Total		
					6,043	18,122	0	0	24,165		
AM Period	NB	SB	EB	WB	TOTAL	PM Period	NB	SB	EB	WB	TOTAL
00:00	2	23	0	0	25	12:00	105	357	0	0	462
00:15	2	17	0	0	19	12:15	120	353	0	0	473
00:30	4	14	0	0	18	12:30	129	344	0	0	473
00:45	5	13	6	60	11	12:45	117	471	338	1392	455
01:00	2	9	0	0	11	13:00	117	346	0	0	463
01:15	0	9	0	0	9	13:15	117	352	0	0	469
01:30	0	10	0	0	10	13:30	120	349	0	0	469
01:45	2	4	8	36	10	13:45	123	477	334	1381	457
02:00	1	9	0	0	10	14:00	107	366	0	0	473
02:15	1	4	0	0	5	14:15	121	363	0	0	484
02:30	1	6	0	0	7	14:30	114	346	0	0	460
02:45	1	4	5	24	6	14:45	122	464	359	1434	481
03:00	1	5	0	0	6	15:00	125	362	0	0	487
03:15	1	7	0	0	8	15:15	144	379	0	0	523
03:30	1	7	0	0	8	15:30	139	398	0	0	537
03:45	1	4	10	29	11	15:45	142	550	382	1521	524
04:00	0	16	0	0	16	16:00	124	413	0	0	537
04:15	3	10	0	0	13	16:15	124	408	0	0	532
04:30	3	24	0	0	27	16:30	120	384	0	0	504
04:45	6	12	24	74	30	16:45	124	492	397	1602	521
05:00	5	21	0	0	26	17:00	109	440	0	0	549
05:15	9	42	0	0	51	17:15	120	402	0	0	522
05:30	16	48	0	0	64	17:30	93	369	0	0	462
05:45	25	55	77	188	102	17:45	104	426	316	1527	420
06:00	31	87	0	0	118	18:00	75	337	0	0	412
06:15	31	132	0	0	163	18:15	80	260	0	0	340
06:30	48	152	0	0	200	18:30	62	258	0	0	320
06:45	72	182	168	539	240	18:45	55	272	227	1082	282
07:00	72	175	0	0	247	19:00	47	201	0	0	248
07:15	94	208	0	0	302	19:15	51	186	0	0	237
07:30	104	260	0	0	364	19:30	53	177	0	0	230
07:45	116	386	249	892	365	19:45	48	199	160	724	208
08:00	146	238	0	0	384	20:00	29	162	0	0	191
08:15	130	236	0	0	366	20:15	32	144	0	0	176
08:30	109	218	0	0	327	20:30	23	125	0	0	148
08:45	130	515	217	909	347	20:45	20	104	123	554	143
09:00	100	249	0	0	349	21:00	17	124	0	0	141
09:15	102	249	0	0	351	21:15	16	110	0	0	126
09:30	102	246	0	0	348	21:30	14	88	0	0	102
09:45	110	414	254	998	364	21:45	14	61	76	398	90
10:00	106	275	0	0	381	22:00	9	79	0	0	88
10:15	108	280	0	0	388	22:15	11	72	0	0	83
10:30	106	280	0	0	386	22:30	5	55	0	0	60
10:45	111	431	292	1127	403	22:45	10	35	76	282	86
11:00	111	299	0	0	410	23:00	5	43	0	0	48
11:15	118	280	0	0	398	23:15	7	34	0	0	41
11:30	108	335	0	0	443	23:30	2	28	0	0	30
11:45	117	454	304	1218	421	23:45	4	18	26	131	30
<b>TOTALS</b>	2474	6094			8568	<b>TOTALS</b>	3569	12028			15597
<b>SPLIT %</b>	28.9%	71.1%			35.5%	<b>SPLIT %</b>	22.9%	77.1%			64.5%

DAILY TOTALS					NB	SB	EB	WB	Total
					6,043	18,122	0	0	24,165

AM Peak Hour	08:00	11:45			11:45	PM Peak Hour	15:00	16:15			15:30
AM Pk Volume	515	1358			1829	PM Pk Volume	550	1629			2130
Pk Hr Factor	0.882	0.951			0.967	Pk Hr Factor	0.955	0.926			0.992
7 - 9 Volume	901	1801	0	0	2702	4 - 6 Volume	918	3129	0	0	4047
7 - 9 Peak Hour	08:00	07:30				4 - 6 Peak Hour	16:00	16:15			16:15
7 - 9 Pk Volume	515	983	0	0	1498	4 - 6 Pk Volume	492	1629	0	0	2106
Pk Hr Factor	0.882	0.945	0.000	0.000	0.963	Pk Hr Factor	0.992	0.926	0.000	0.000	0.959

**VOLUME**

Camino Capistrano Bet. Stonehill Dr/I-5 NB On-Ramp & Costco/AAMCO Dwys

Day: Tue - Thu  
Date: 11/13 - 11/15

**AVERAGE**

City: San Juan Capistrano  
Project #: CA18\_1242\_003

DAILY TOTALS					NB	SB	EB	WB	Total
					12,543	11,864	0	0	24,407

AM Period	NB	SB	EB	WB	TOTAL	PM Period	NB	SB	EB	WB	TOTAL
00:00	10	9	0	0	19	12:00	215	248	0	0	463
00:15	8	5	0	0	13	12:15	233	260	0	0	493
00:30	6	4	0	0	10	12:30	217	266	0	0	483
00:45	8	32	2	20	10	12:45	246	911	241	1015	487
01:00	5	1	0	0	6	13:00	240	246	0	0	486
01:15	3	3	0	0	6	13:15	251	250	0	0	501
01:30	3	6	0	0	9	13:30	257	236	0	0	493
01:45	4	15	4	14	8	13:45	259	1007	247	979	506
02:00	5	6	0	0	11	14:00	240	247	0	0	487
02:15	4	3	0	0	7	14:15	253	255	0	0	508
02:30	5	2	0	0	7	14:30	280	239	0	0	519
02:45	4	18	3	14	7	14:45	269	1042	250	991	519
03:00	2	1	0	0	3	15:00	256	265	0	0	521
03:15	4	3	0	0	7	15:15	246	250	0	0	496
03:30	6	4	0	0	10	15:30	248	267	0	0	515
03:45	4	16	6	14	10	15:45	242	992	258	1040	500
04:00	6	11	0	0	17	16:00	244	275	0	0	519
04:15	10	6	0	0	16	16:15	257	280	0	0	537
04:30	13	12	0	0	25	16:30	251	240	0	0	491
04:45	14	43	14	43	28	16:45	266	1018	231	1026	497
05:00	21	8	0	0	29	17:00	260	237	0	0	497
05:15	16	19	0	0	35	17:15	269	242	0	0	511
05:30	34	34	0	0	68	17:30	254	220	0	0	474
05:45	48	119	47	108	95	17:45	236	1019	196	895	432
06:00	69	39	0	0	108	18:00	217	190	0	0	407
06:15	91	50	0	0	141	18:15	184	161	0	0	345
06:30	104	72	0	0	176	18:30	175	151	0	0	326
06:45	129	393	112	273	241	18:45	157	733	140	642	297
07:00	140	132	0	0	272	19:00	122	114	0	0	236
07:15	186	123	0	0	309	19:15	129	105	0	0	234
07:30	181	142	0	0	323	19:30	123	100	0	0	223
07:45	203	710	150	547	353	19:45	116	490	81	400	197
08:00	179	159	0	0	338	20:00	94	76	0	0	170
08:15	176	148	0	0	324	20:15	102	68	0	0	170
08:30	169	152	0	0	321	20:30	96	59	0	0	155
08:45	190	714	178	637	368	20:45	81	373	52	255	133
09:00	174	157	0	0	331	21:00	75	54	0	0	129
09:15	183	192	0	0	375	21:15	60	39	0	0	99
09:30	197	187	0	0	384	21:30	49	29	0	0	78
09:45	193	747	221	757	414	21:45	44	228	23	145	67
10:00	192	217	0	0	409	22:00	45	26	0	0	71
10:15	212	233	0	0	445	22:15	25	25	0	0	50
10:30	206	239	0	0	445	22:30	29	19	0	0	48
10:45	227	837	245	934	472	22:45	26	125	27	97	53
11:00	222	249	0	0	471	23:00	23	17	0	0	40
11:15	232	243	0	0	475	23:15	16	11	0	0	27
11:30	214	253	0	0	467	23:30	13	9	0	0	22
11:45	230	898	226	971	456	23:45	11	63	10	47	21
<b>TOTALS</b>	4542	4332			8874	<b>TOTALS</b>	8001	7532			15533
<b>SPLIT %</b>	51.2%	48.8%			36.4%	<b>SPLIT %</b>	51.5%	48.5%			63.6%

DAILY TOTALS					NB	SB	EB	WB	Total
					12,543	11,864	0	0	24,407

AM Peak Hour	11:00	11:45		11:45	PM Peak Hour	14:15	15:30		15:30		
AM Pk Volume	898	1000		1895	PM Pk Volume	1058	1080		2071		
Pk Hr Factor	0.968	0.940		0.961	Pk Hr Factor	0.945	0.964		0.964		
7 - 9 Volume	1424	1184	0	0	2608	4 - 6 Volume	2037	1921	0	0	3958
7 - 9 Peak Hour	07:15	08:00				4 - 6 Peak Hour	16:45	16:00			16:00
7 - 9 Pk Volume	749	637	0	0	1351	4 - 6 Pk Volume	1049	1026	0	0	2044
Pk Hr Factor	0.922	0.895	0.000	0.000	0.918	Pk Hr Factor	0.975	0.916	0.000	0.000	0.952

### VOLUME

Stonehill Dr Bet. Del Obispo St & Camino Capistrano

Day: Tue - Thu  
Date: 12/4 - 12/6/21

AVERAGE

City: San Juan Capistrano  
Project #: CA18\_1242\_005

DAILY TOTALS					NB	SB	EB	WB	Total
					0	0	18,758	13,641	32,399

AM Period	NB	SB	EB	WB	TOTAL	PM Period	NB	SB	EB	WB	TOTAL			
00:00			22	15	37	12:00			322	244	566			
00:15			11	19	30	12:15			316	213	529			
00:30			12	17	29	12:30			361	234	595			
00:45			12	57	9	60	12:45		304	1303	241	932	545	2235
01:00			7	7	14	13:00			308	225	533			
01:15			7	8	15	13:15			313	230	543			
01:30			8	7	15	13:30			307	238	545			
01:45			5	27	4	26	13:45		309	1237	244	937	553	2174
02:00			8	4	12	14:00			297	226	523			
02:15			6	5	11	14:15			328	250	578			
02:30			6	4	10	14:30			347	268	615			
02:45			7	27	6	19	14:45		351	1323	291	1035	642	2358
03:00			6	6	12	15:00			401	288	689			
03:15			7	3	10	15:15			390	285	675			
03:30			13	6	19	15:30			382	314	696			
03:45			12	38	7	22	15:45		330	1503	300	1187	630	2690
04:00			23	5	28	16:00			346	304	650			
04:15			28	5	33	16:15			317	314	631			
04:30			41	13	54	16:30			332	308	640			
04:45			53	145	15	38	16:45		306	1301	343	1269	649	2570
05:00			58	14	72	17:00			332	351	683			
05:15			92	22	114	17:15			301	333	634			
05:30			119	26	145	17:30			304	299	603			
05:45			128	397	27	89	17:45		240	1177	273	1256	513	2433
06:00			153	51	204	18:00			251	264	515			
06:15			225	67	292	18:15			242	249	491			
06:30			259	85	344	18:30			203	215	418			
06:45			327	964	115	318	18:45		199	895	202	930	401	1825
07:00			341	134	475	19:00			162	163	325			
07:15			368	206	574	19:15			145	174	319			
07:30			410	225	635	19:30			142	144	286			
07:45			413	1532	225	790	19:45		126	575	145	626	271	1201
08:00			391	182	573	20:00			111	133	244			
08:15			346	205	551	20:15			94	137	231			
08:30			386	157	543	20:30			88	125	213			
08:45			355	1478	159	703	20:45		86	379	127	522	213	901
09:00			311	157	468	21:00			88	109	197			
09:15			318	187	505	21:15			80	116	196			
09:30			337	149	486	21:30			69	86	155			
09:45			326	1292	162	655	21:45		54	291	76	387	130	678
10:00			330	163	493	22:00			55	72	127			
10:15			311	185	496	22:15			58	63	121			
10:30			343	189	532	22:30			45	52	97			
10:45			304	1288	169	706	22:45		33	191	43	230	76	421
11:00			311	178	489	23:00			37	41	78			
11:15			302	194	496	23:15			30	31	61			
11:30			325	185	510	23:30			18	26	44			
11:45			291	1229	226	783	23:45		24	109	23	121	47	230
<b>TOTALS</b>				8474	4209	12683	<b>TOTALS</b>			10284	9432	19716		
<b>SPLIT %</b>				66.8%	33.2%	39.1%	<b>SPLIT %</b>			52.2%	47.8%	60.9%		

DAILY TOTALS					NB	SB	EB	WB	Total
					0	0	18,758	13,641	32,399

AM Peak Hour			07:15	11:45	07:15	PM Peak Hour			14:45	16:30	14:45
AM Pk Volume			1582	917	2420	PM Pk Volume			1524	1335	2702
Pk Hr Factor			0.958	0.940	0.948	Pk Hr Factor			0.950	0.951	0.971
7 - 9 Volume	0	0	3010	1493	4503	4 - 6 Volume	0	0	2478	2525	5003
7 - 9 Peak Hour			07:15	07:15	07:15	4 - 6 Peak Hour			16:00	16:30	16:30
7 - 9 Pk Volume	0	0	1582	838	2420	4 - 6 Pk Volume	0	0	1301	1335	2606
Pk Hr Factor	0.000	0.000	0.958	0.931	0.948	Pk Hr Factor	0.000	0.000	0.940	0.951	0.954